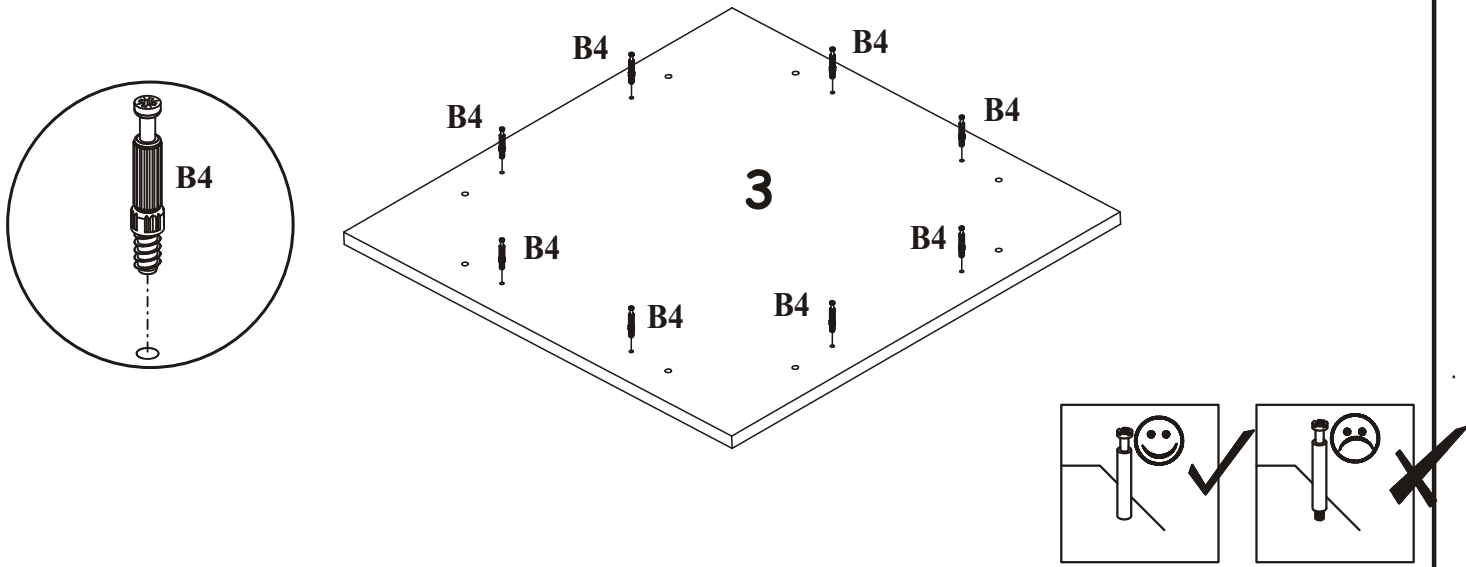
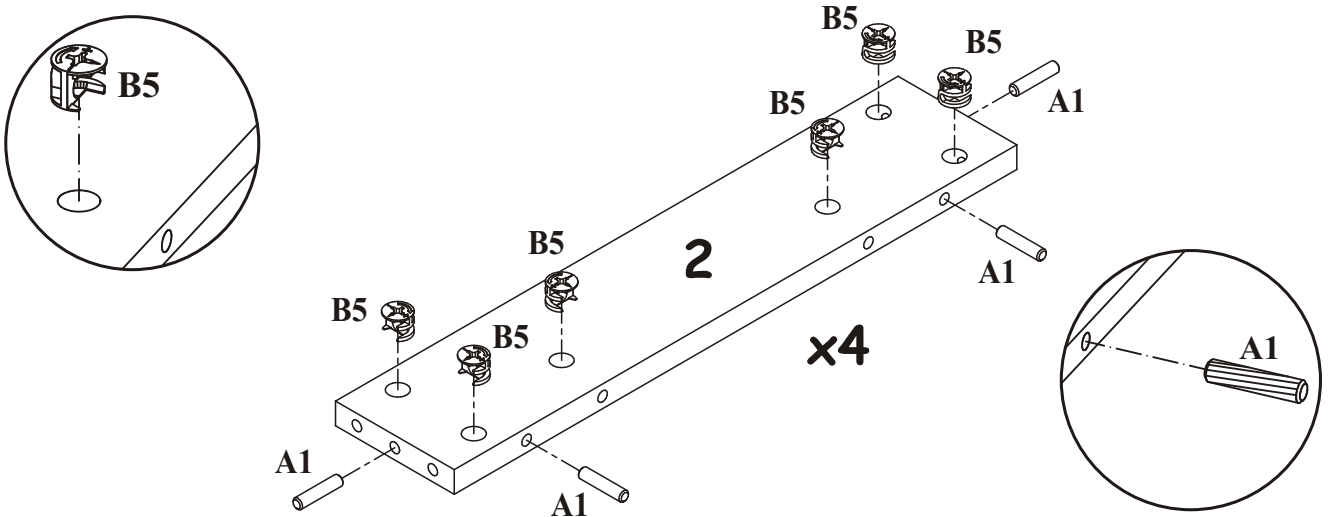


A1		B4		B5		G5		I2		G2	
X16	ø8x36	X24		X24	ø15x12	X24		X16		X1	

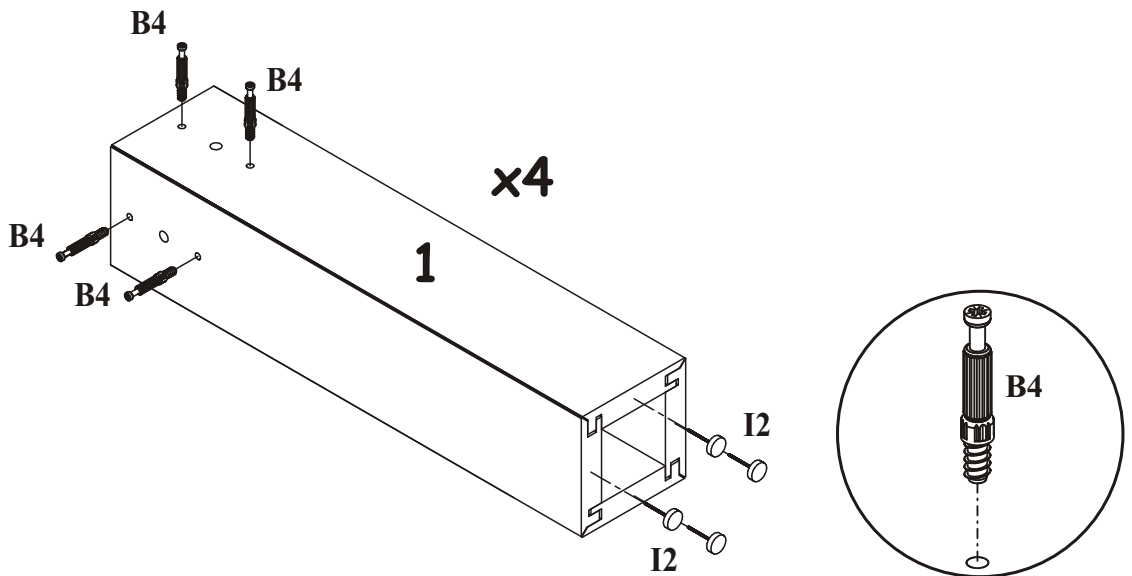
**I**



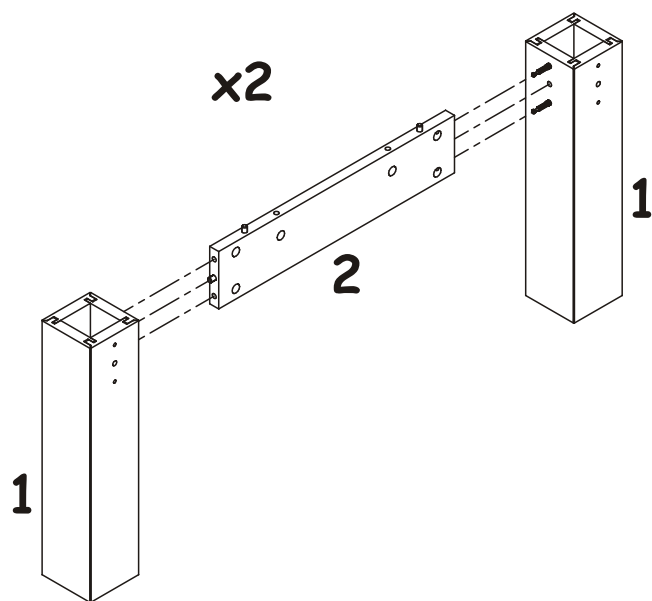
**II**



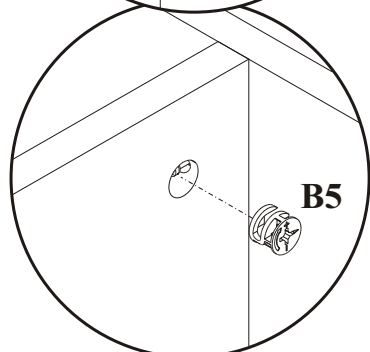
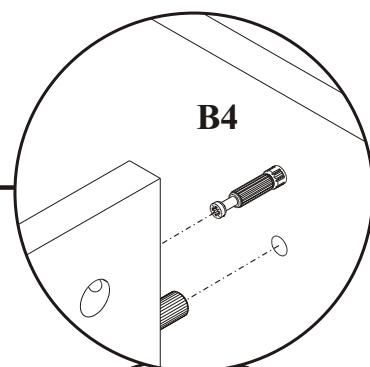
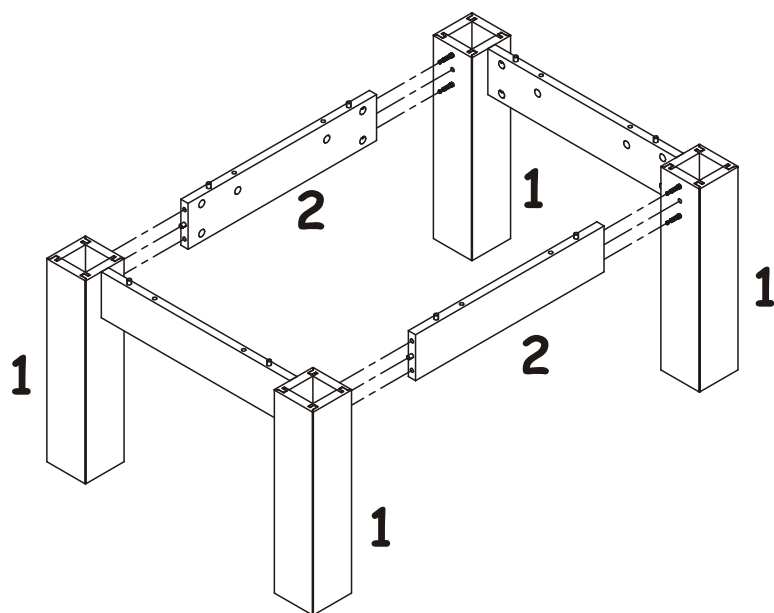
**III**



**IV**



**V**



**VI**

