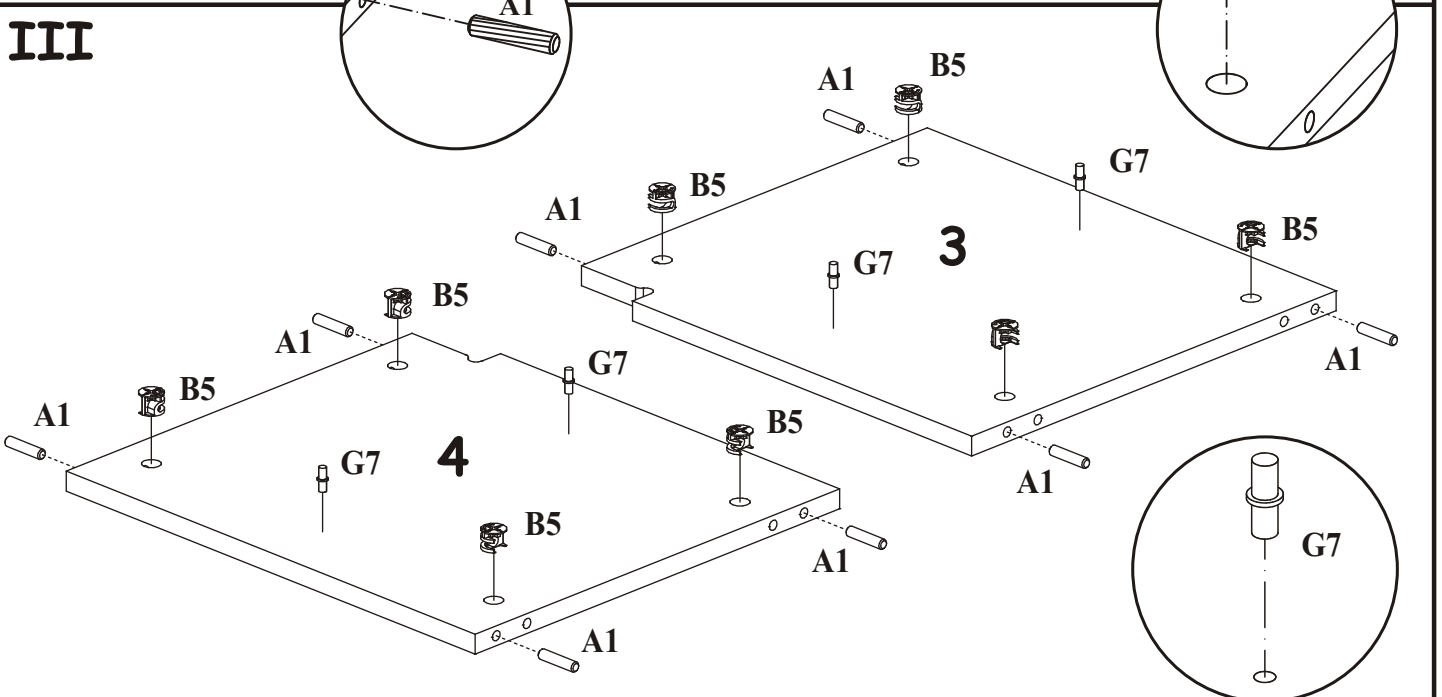
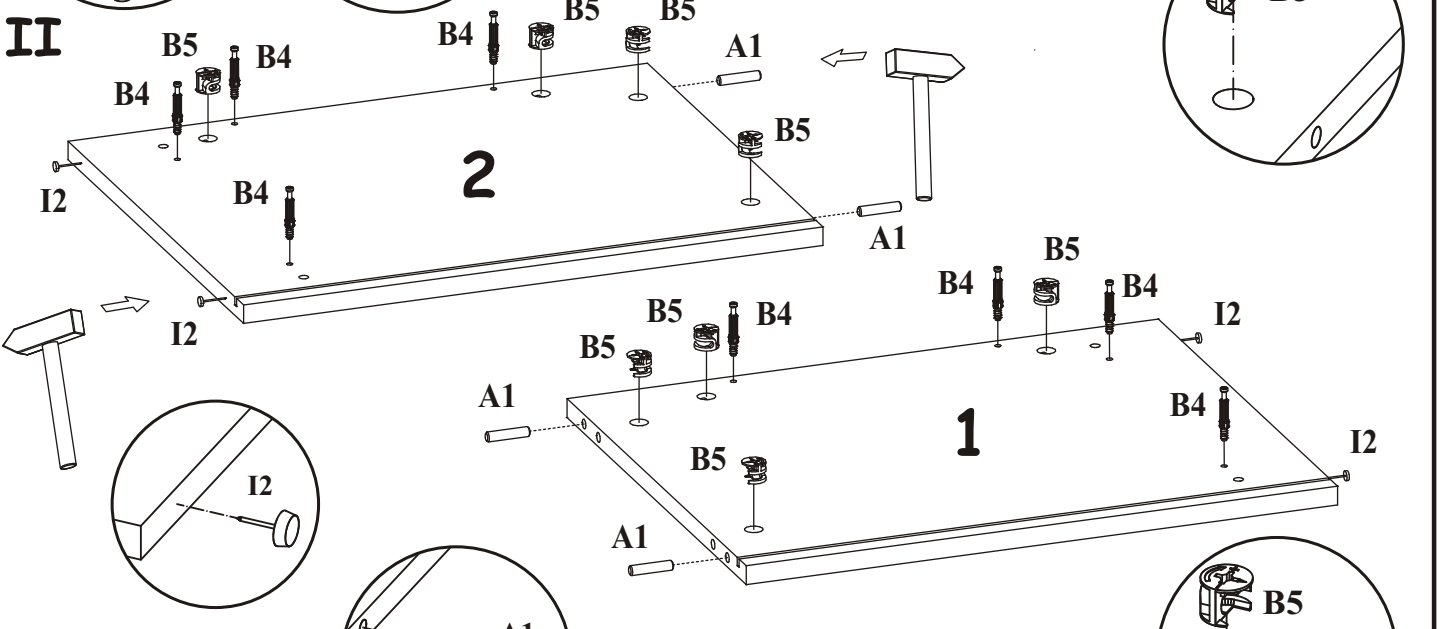
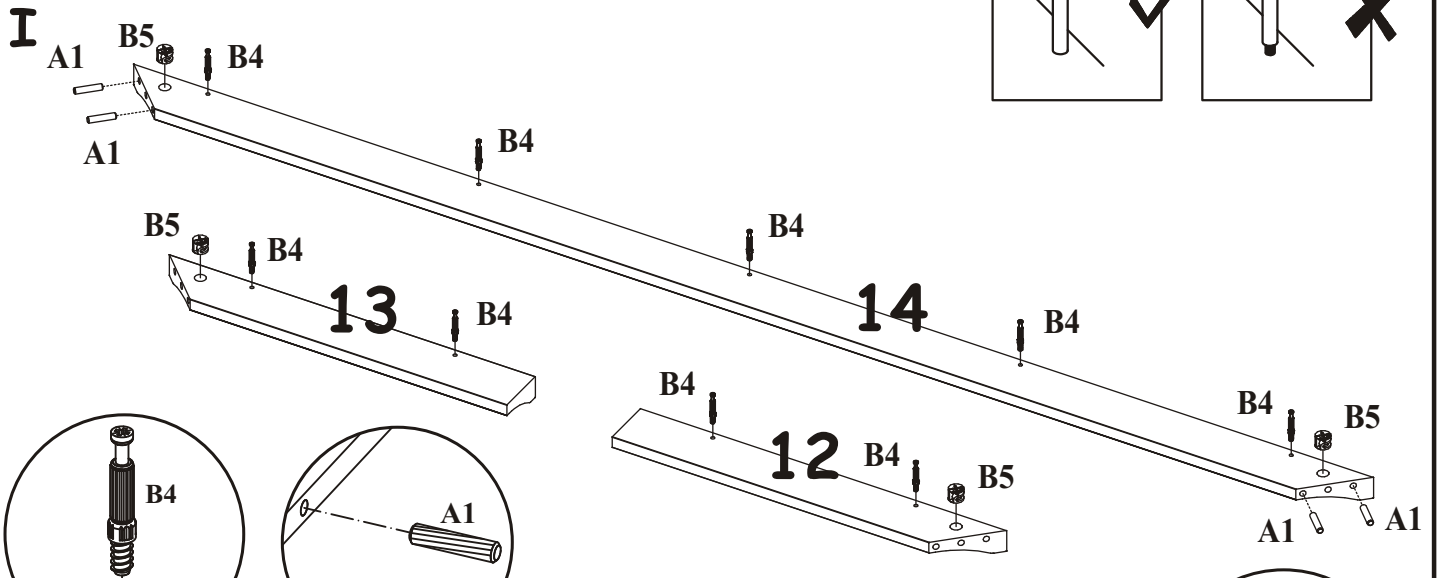
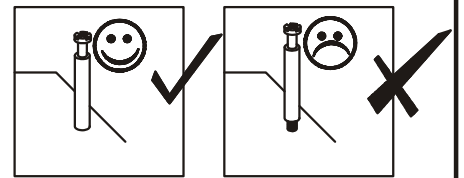
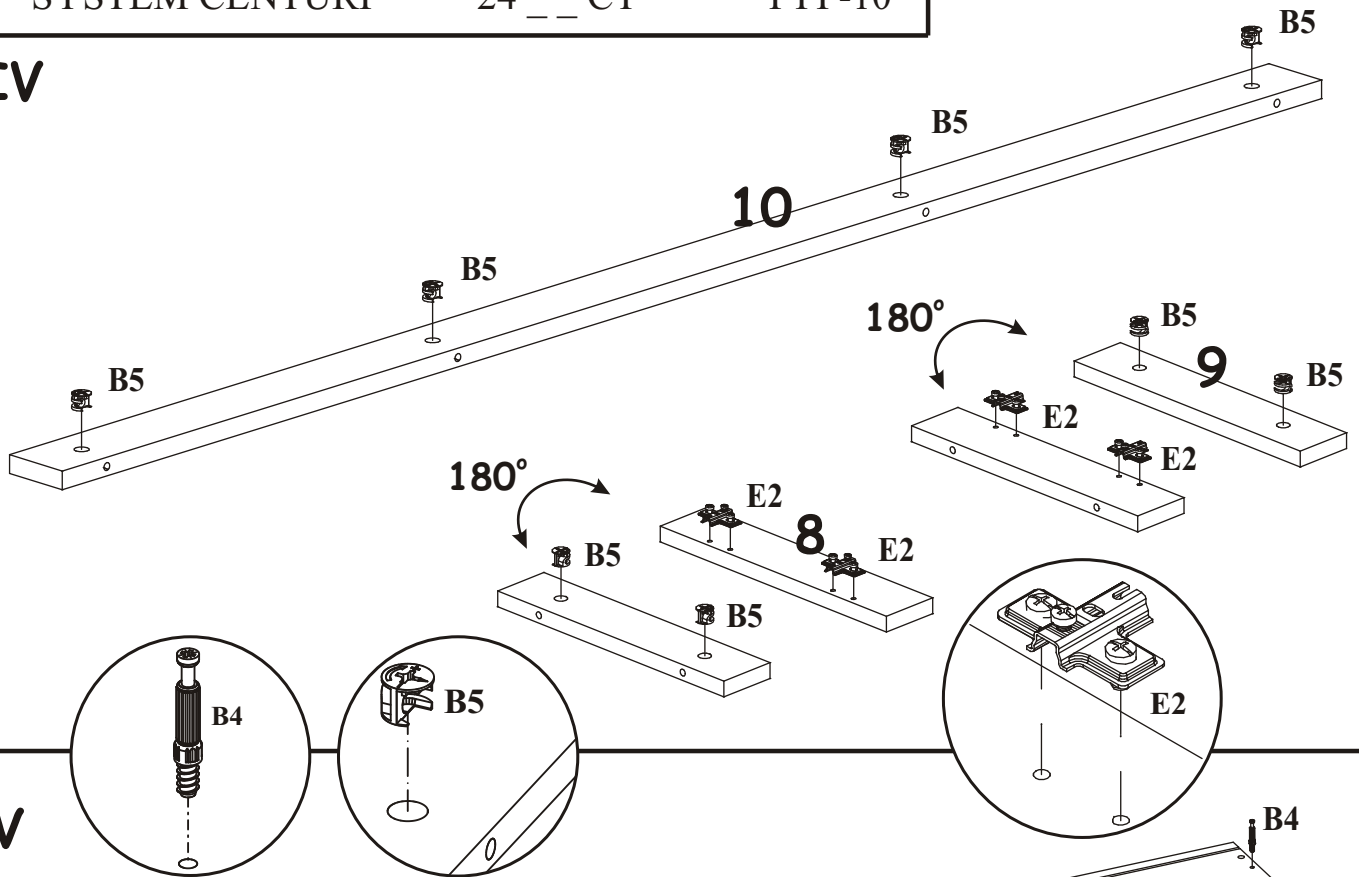


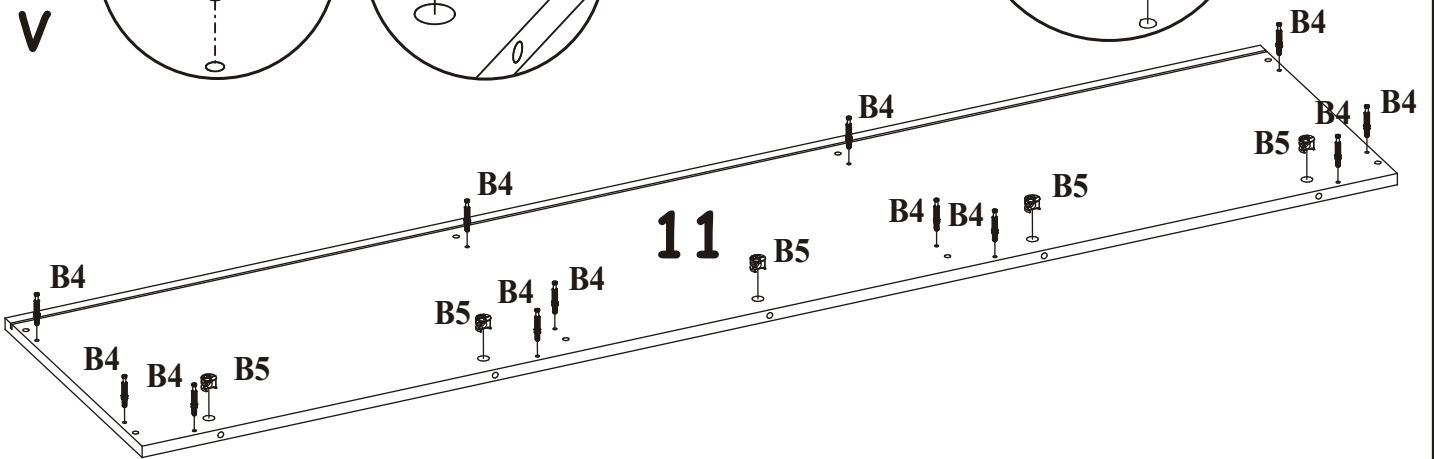
| | | | | | | | | | | |
|----------------------|---------------------|----------------------|---------------------|------------------------|------------------------|--|--|--|--|-------------|
| A1 X20 ø8x36 | B4 X33 | | | | | | | | | 90 min. |
| Na3 Ilość 1kpl | G5 X37 | S1 X10 | Z2 X4 ø5 | D10 X8 USØ3,5x13 | UN7 X2 | | | | | |
| I2 X4 | D9 X2 USØ3x20 | B9 X2 ø7x48 | B5 X37 ø15x12 | St2 Ilość 2 | D26 X4 M4x22 | | | | | |
| E2 X4 | E15 Ilość 4 | B3 X23 ø1,4x25 | G7 X4 | G2 X1 | D23 X6 USØ3,5x35 | | | | | |



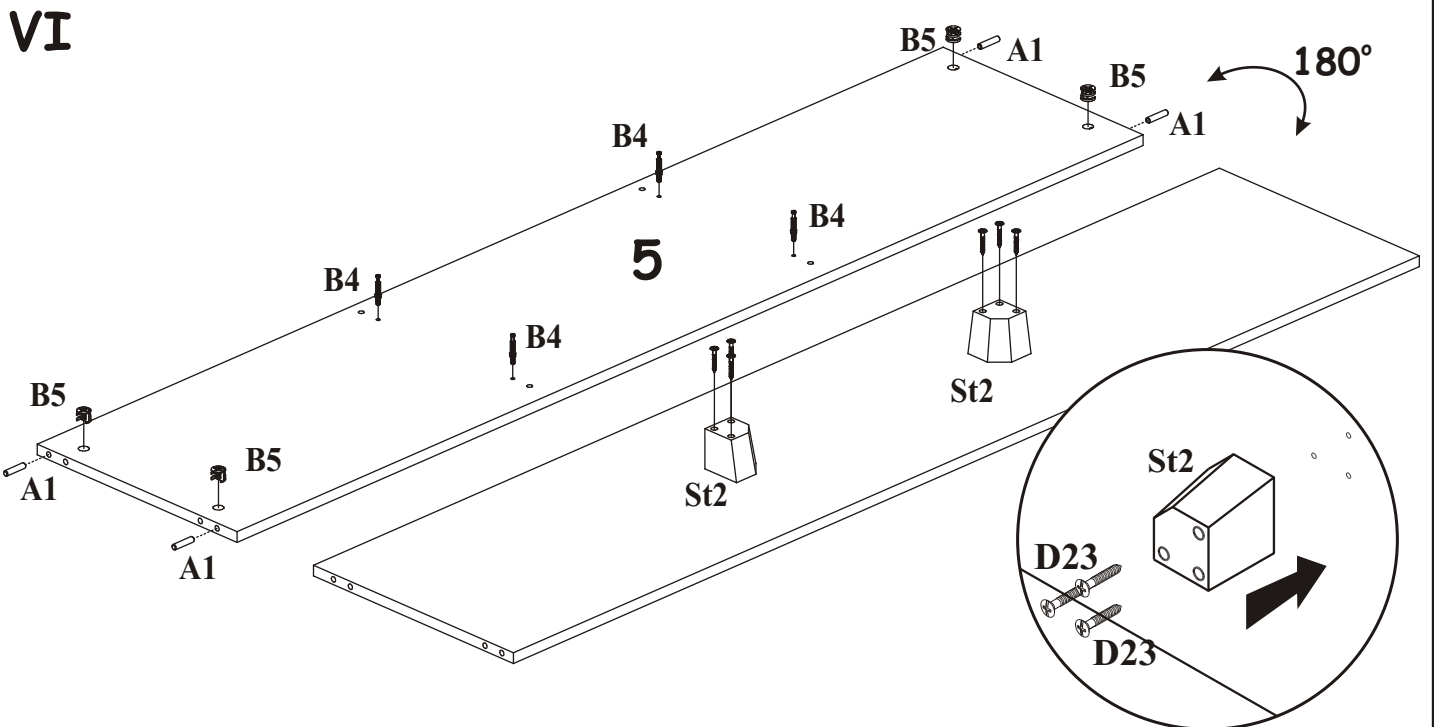
IV



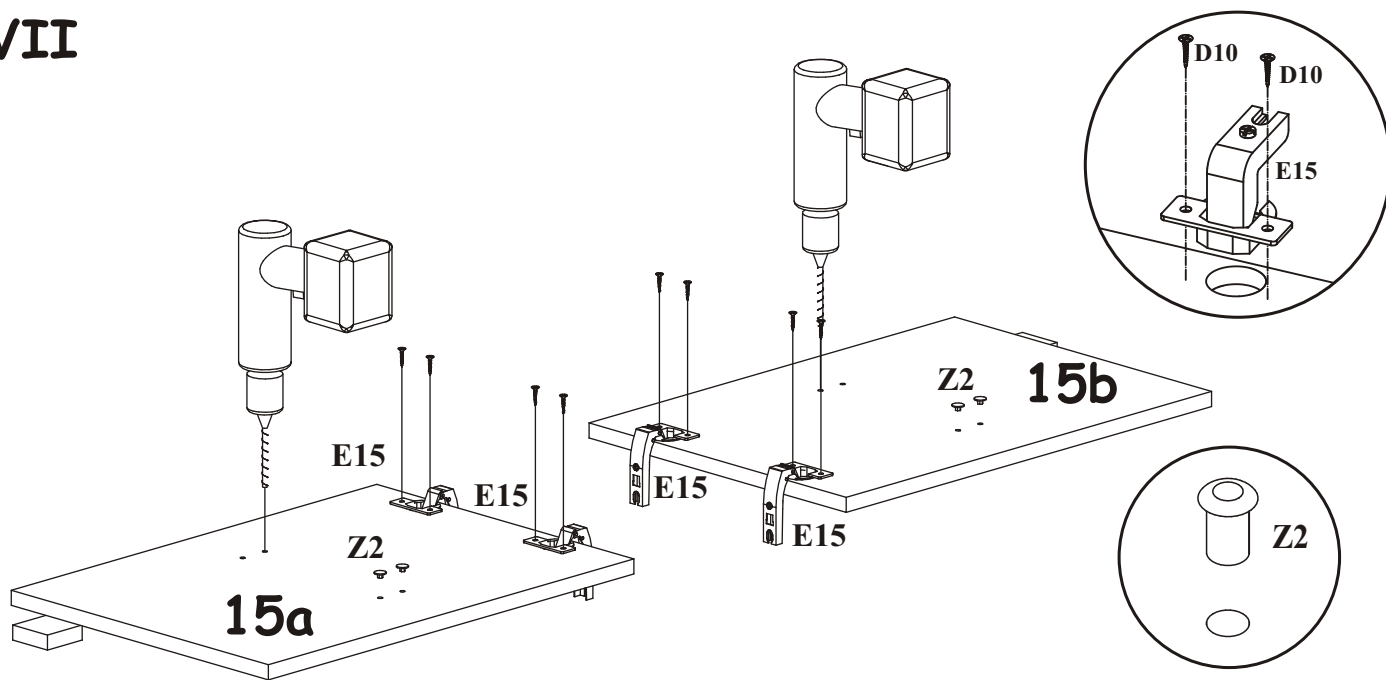
V



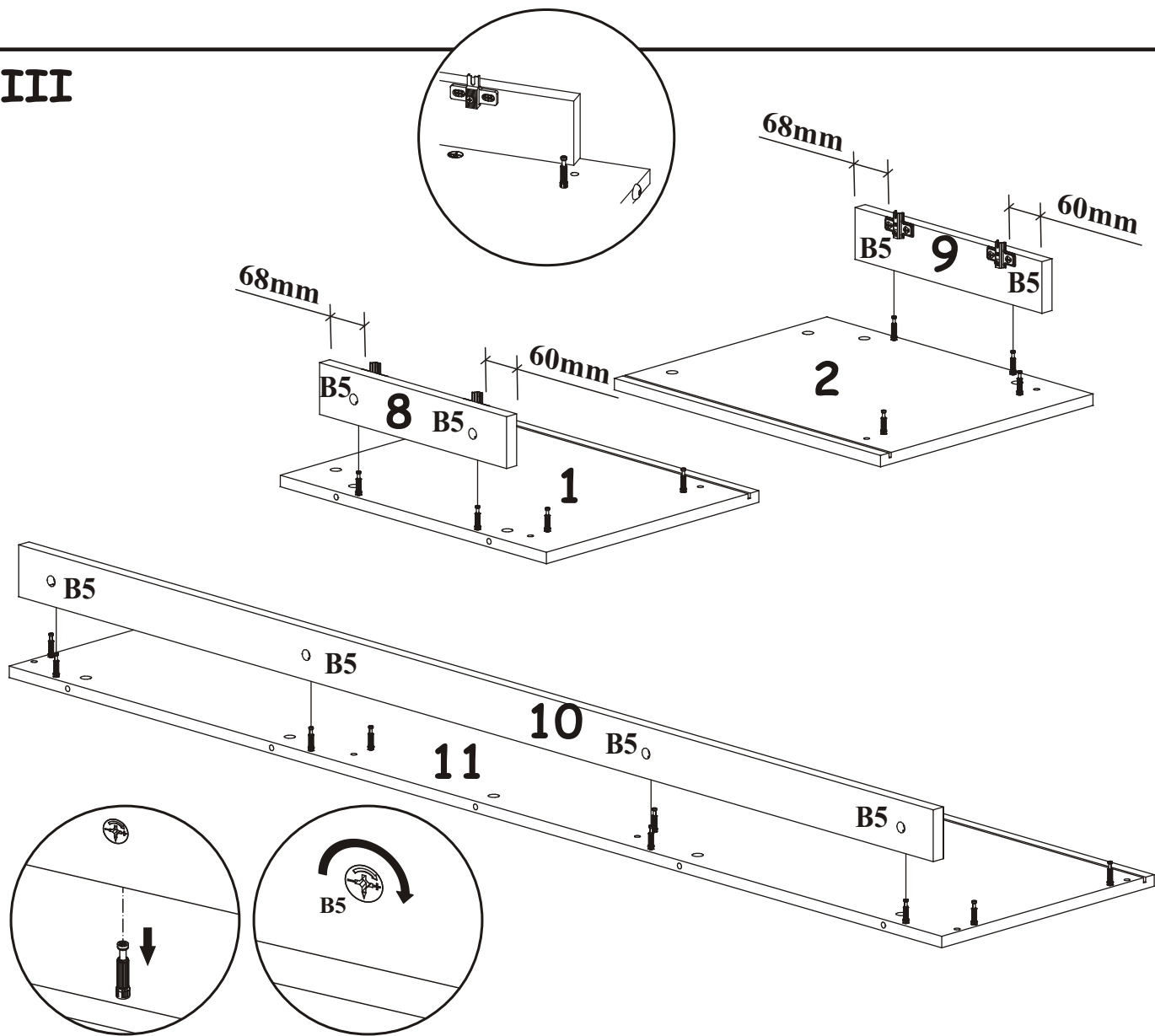
VI



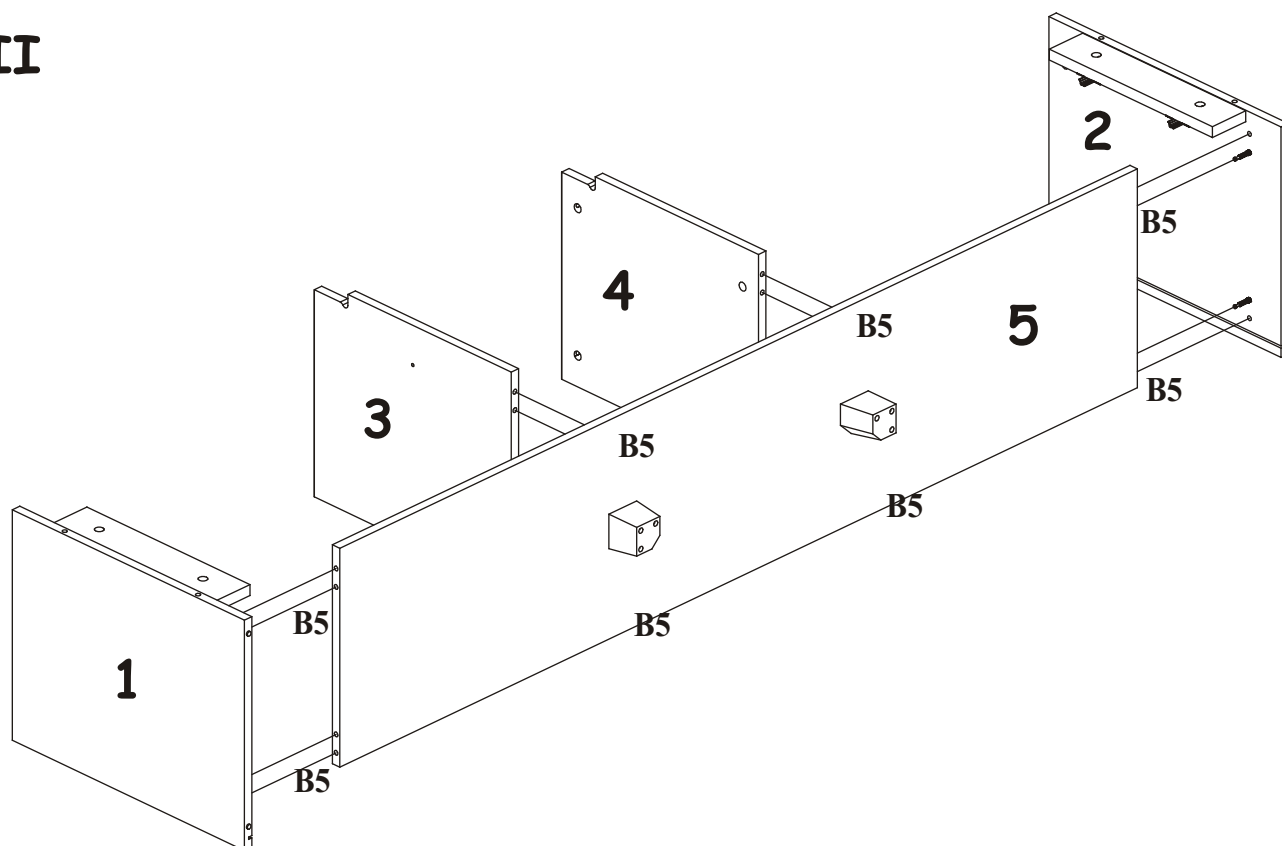
VII



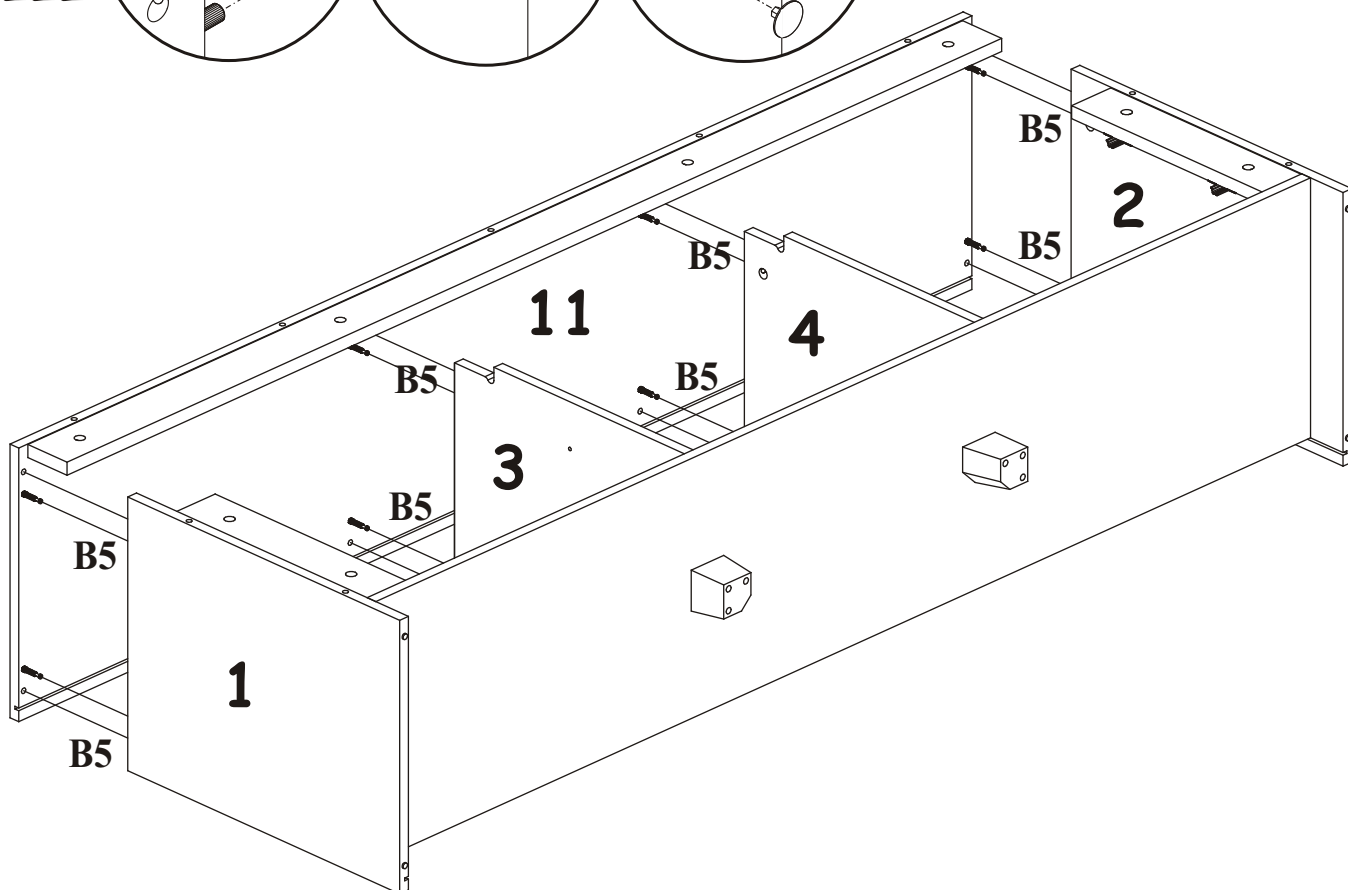
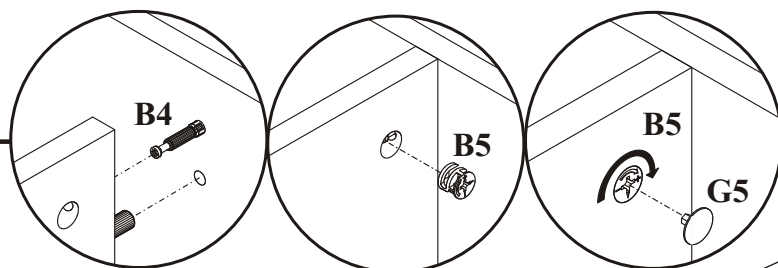
VIII



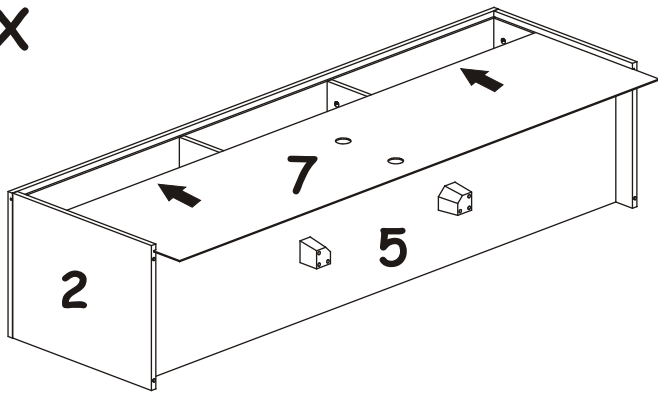
XII



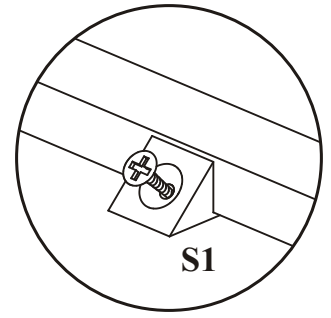
XIII



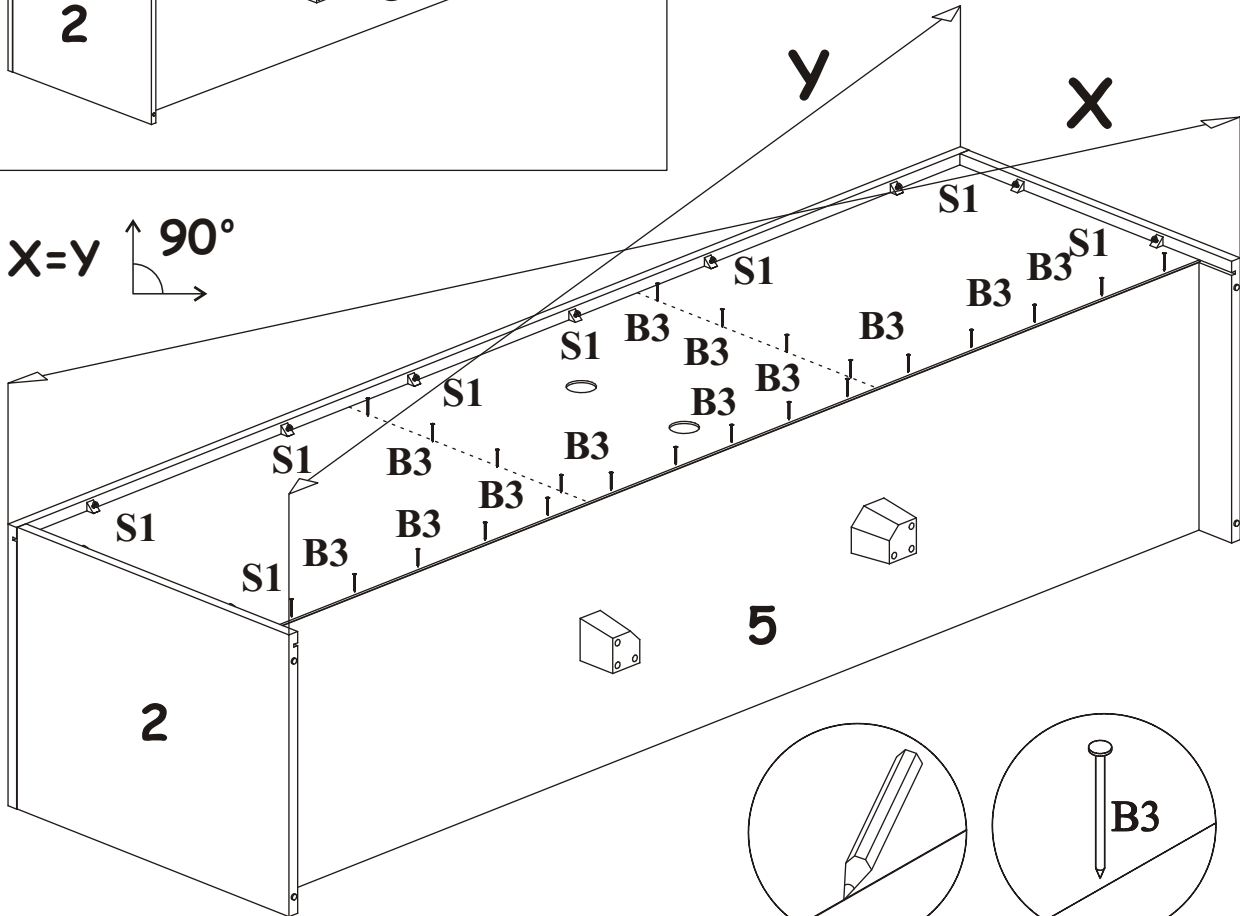
IX



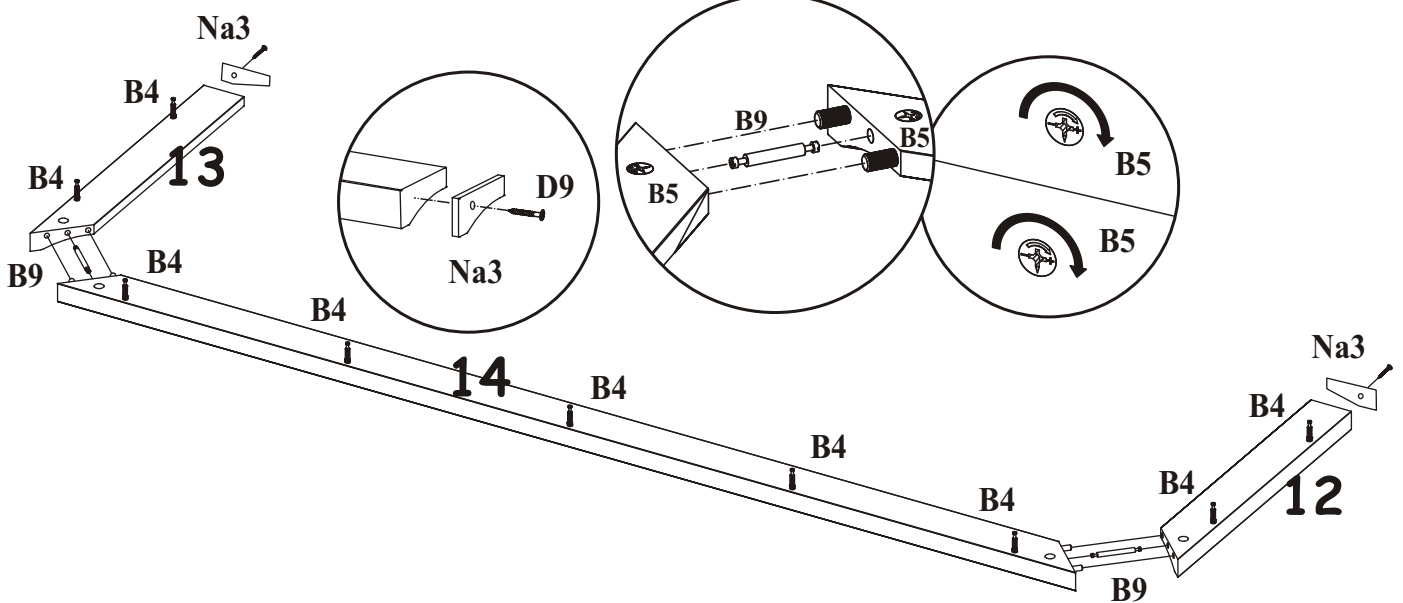
X



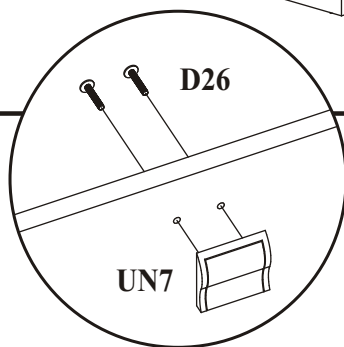
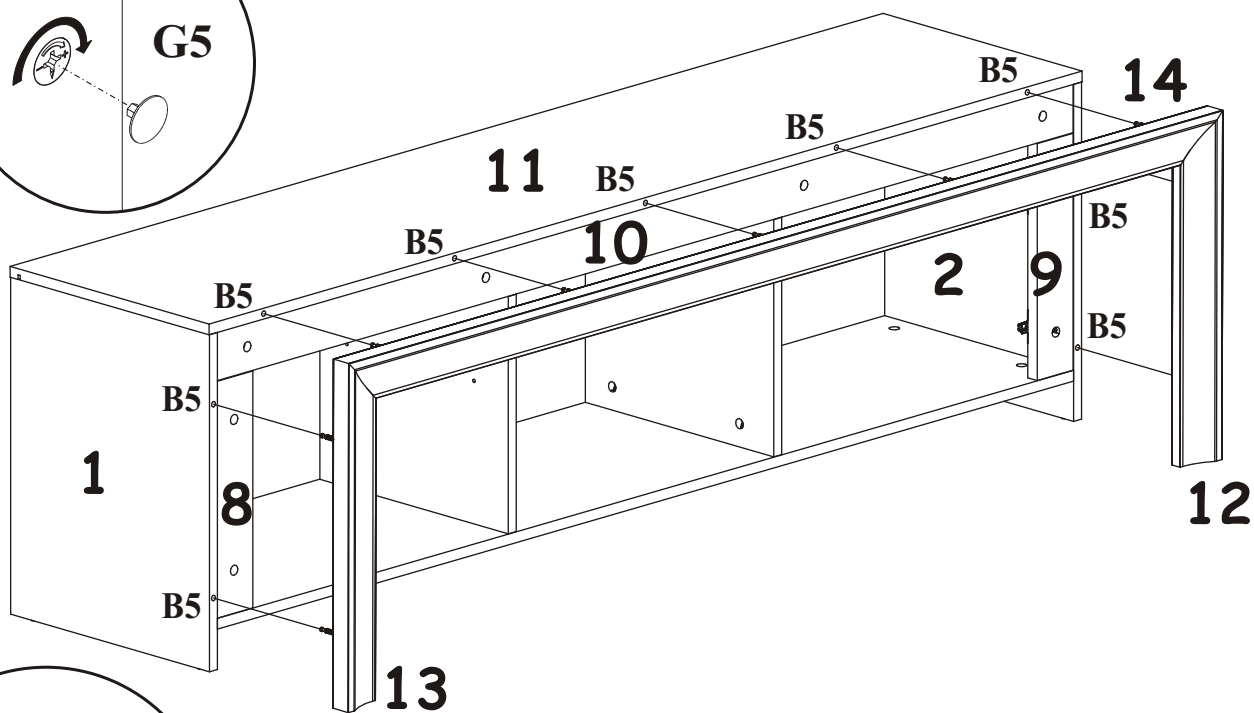
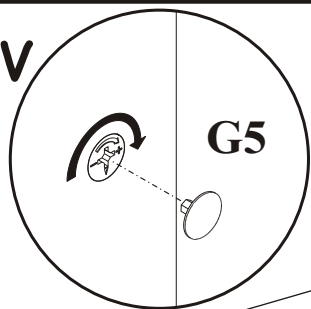
$X=Y$ 90°



XI



XIV



XV

