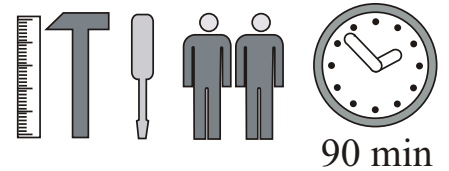
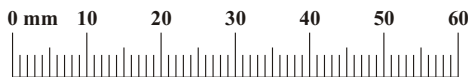
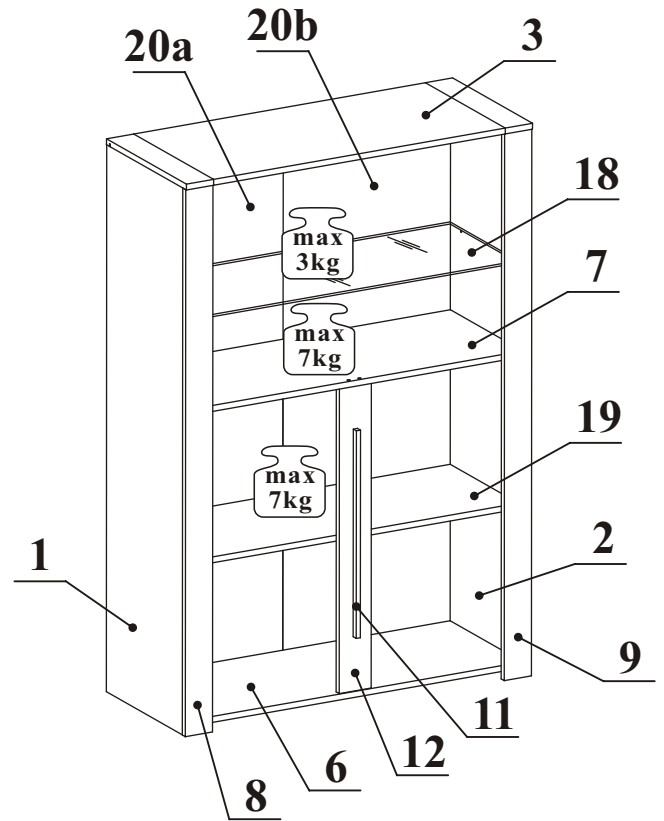
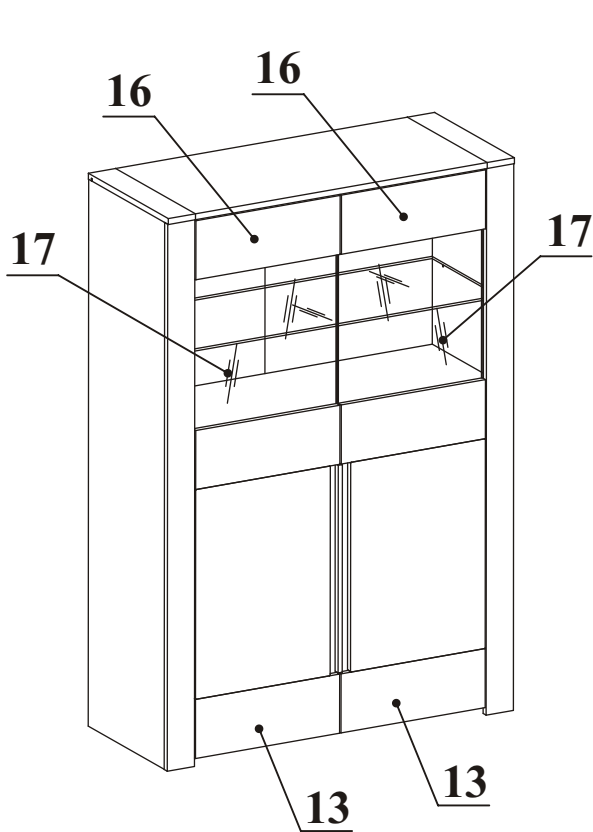


SYSTEM BOSTON  
WS BOSTON II

TYPE 09

24...BT

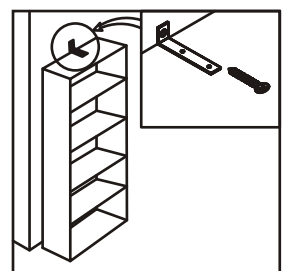
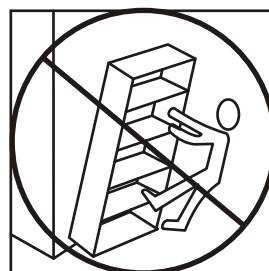
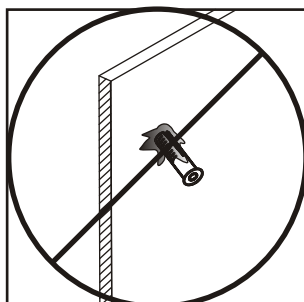
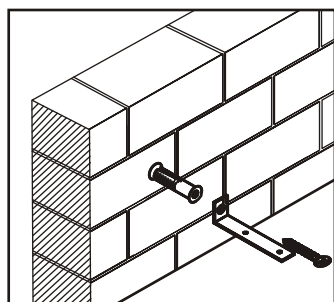
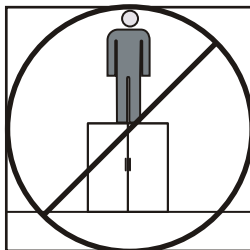
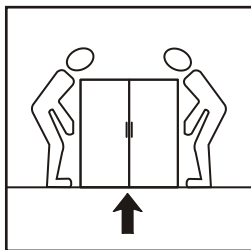
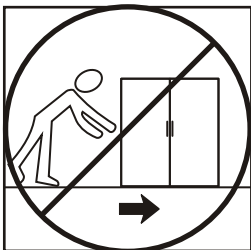
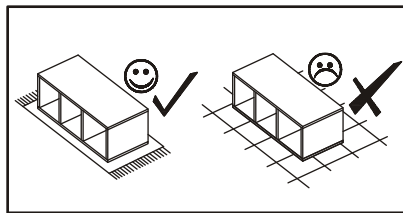
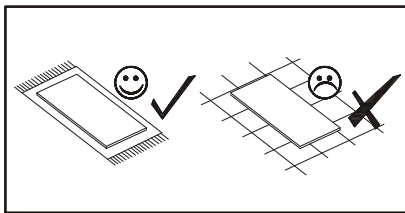
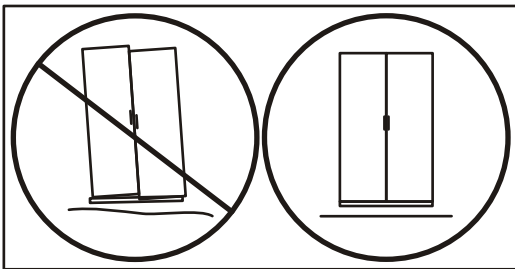
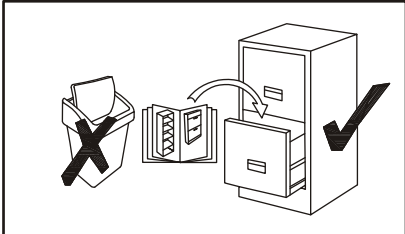
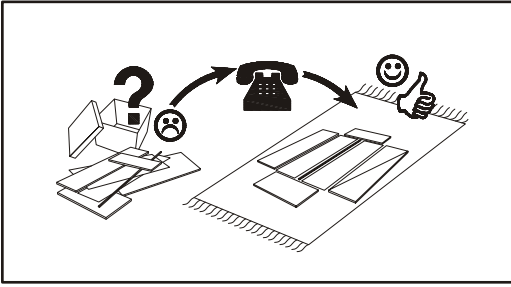


KR1 X1		L1 X1		B3 X15	 Ø1,4x25	D6 X2	 USØ3,5x30	G7 X4		S1 X12	
A1 X20	 ø8x36	B4 X18		B5 X18	 ø15x12	G5 X18		B11 X4	 Ø7x50	G4 X4	
E13 X6		E2 X6	 H=0	UP13 X16	 UPØ3x16	I2 X4		UP15 X3	 UPØ4x25	P2 X16	
ST3 X1		D10 X14	 USØ3,5x13	G20 X6		G2 X1					

SYSTEM BOSTON  
WS BOSTON II

TYPE 09

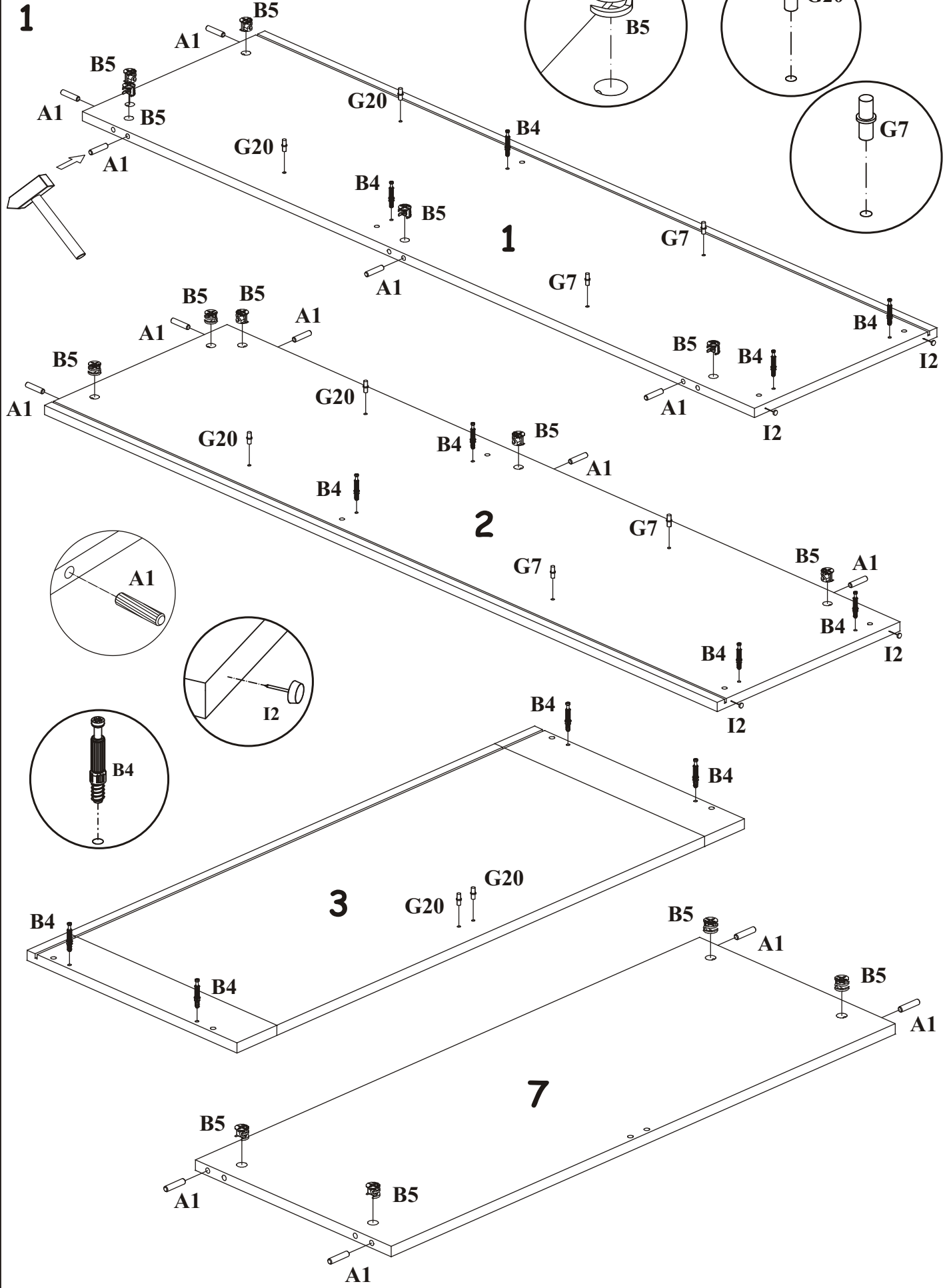
24...BT



# SYSTEM BOSTON WS BOSTON II

TYPE 09

24...BT

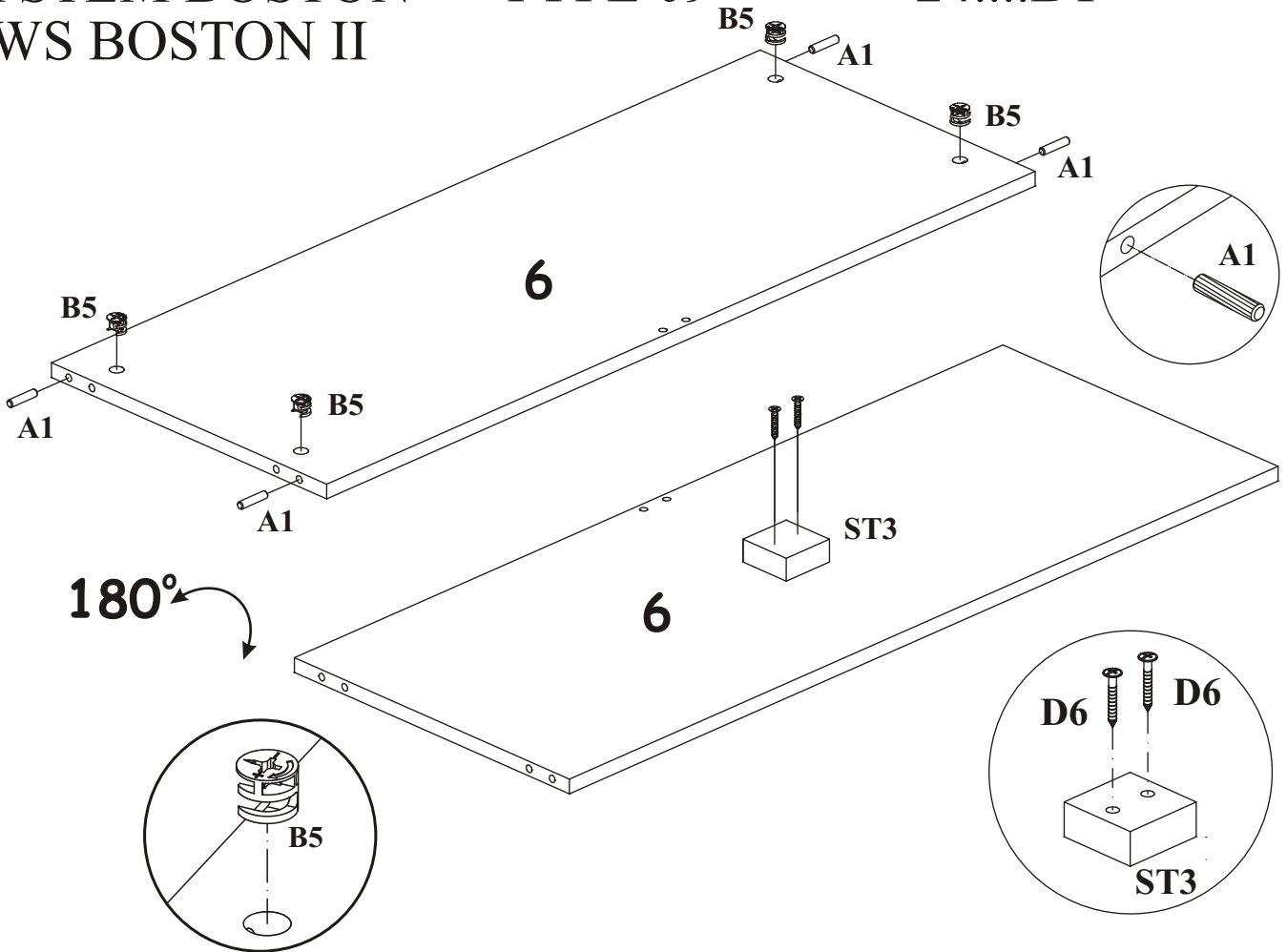


SYSTEM BOSTON  
WS BOSTON II

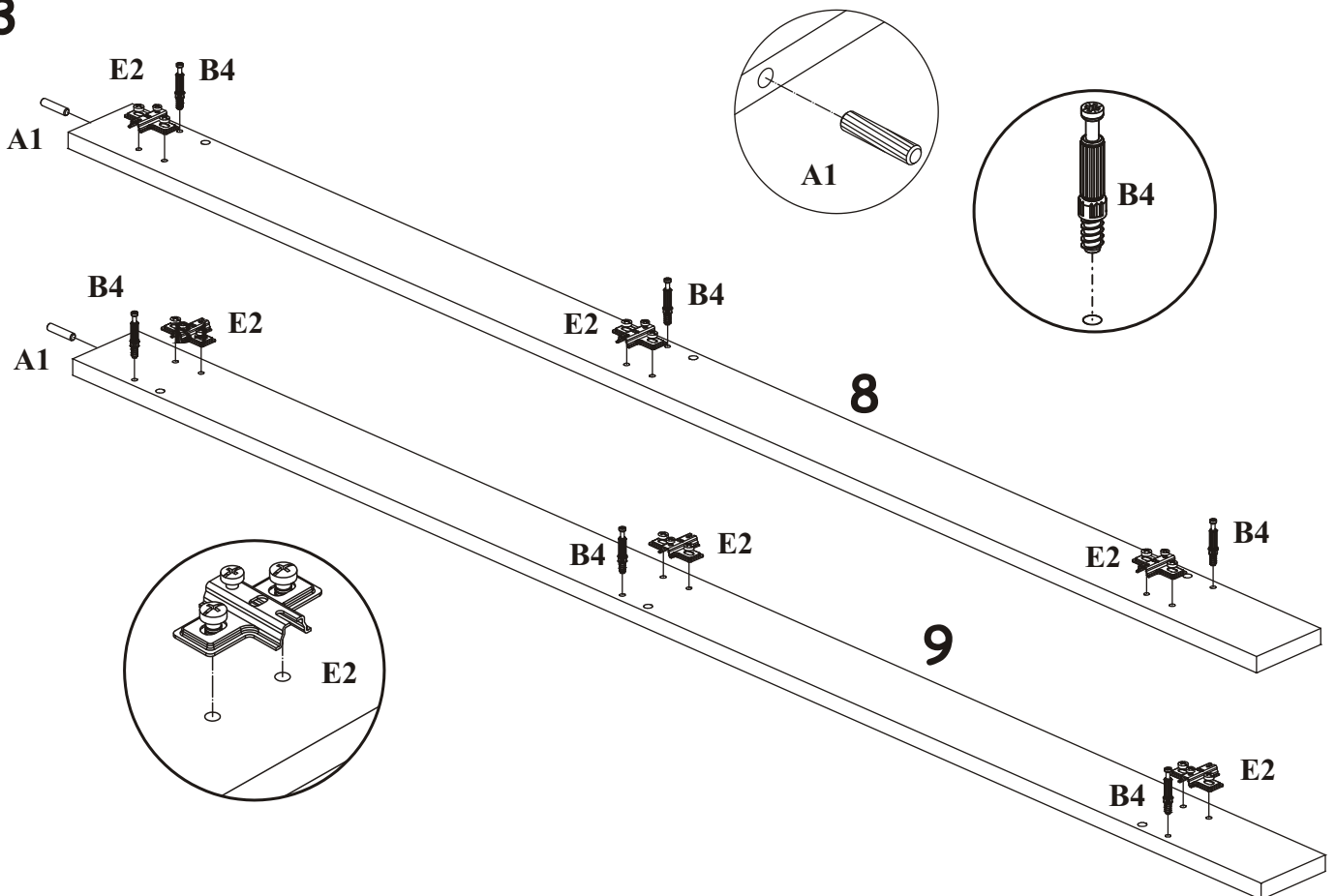
TYPE 09

24...BT

2



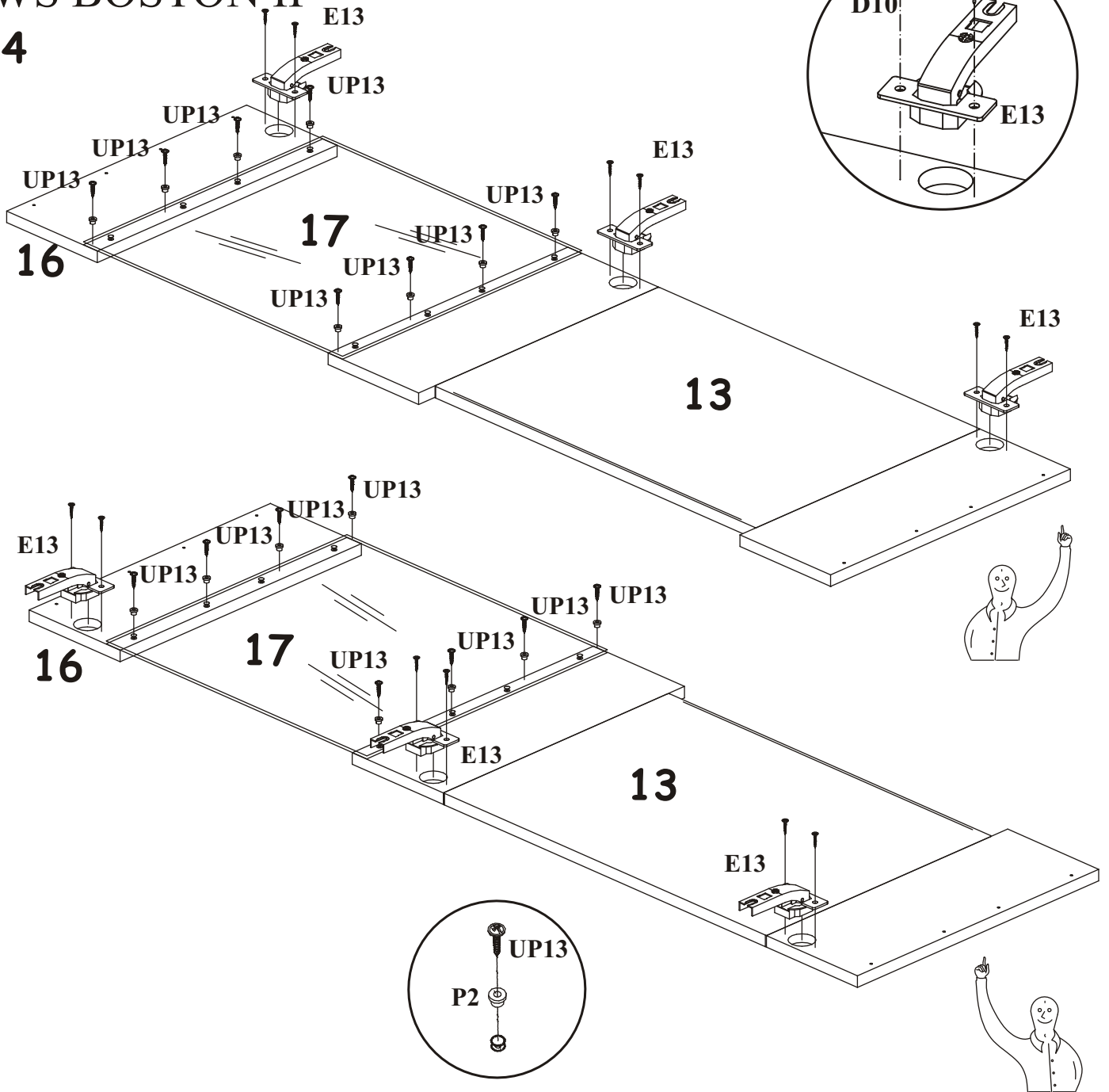
3



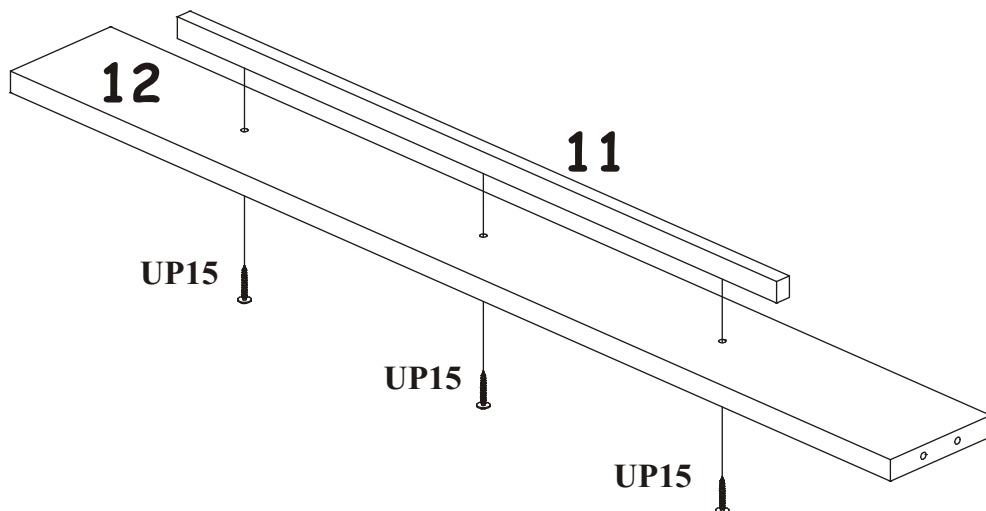
# SYSTEM BOSTON TYPE 09 WS BOSTON II

24...BT

4



5

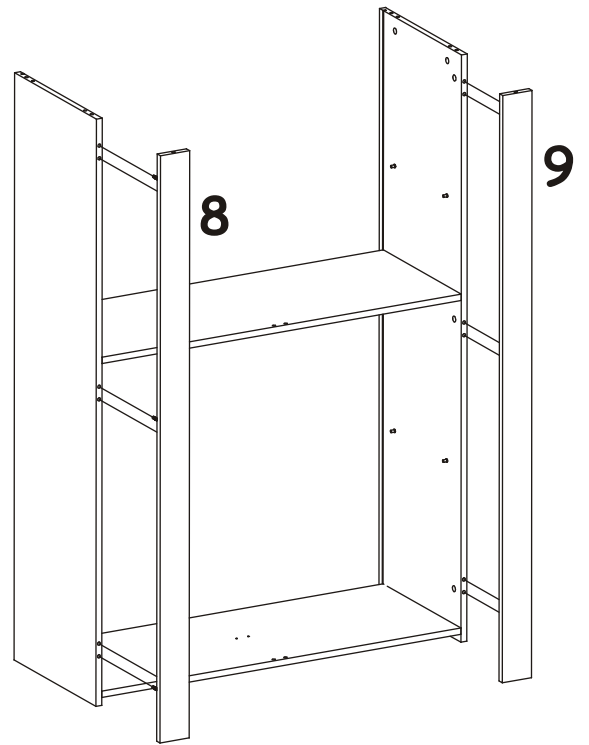
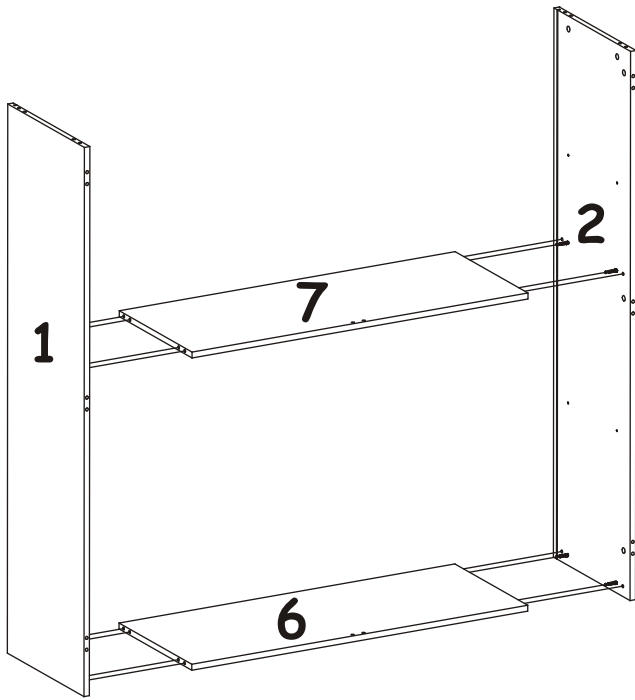


SYSTEM BOSTON TYPE 09  
WS BOSTON II

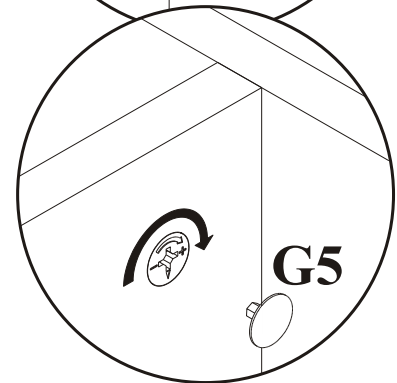
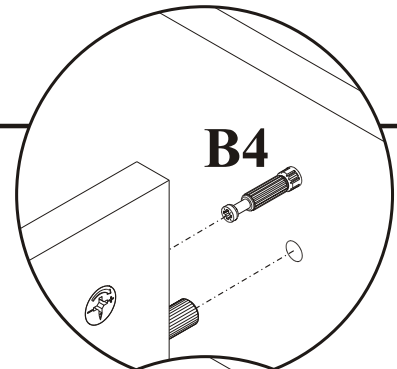
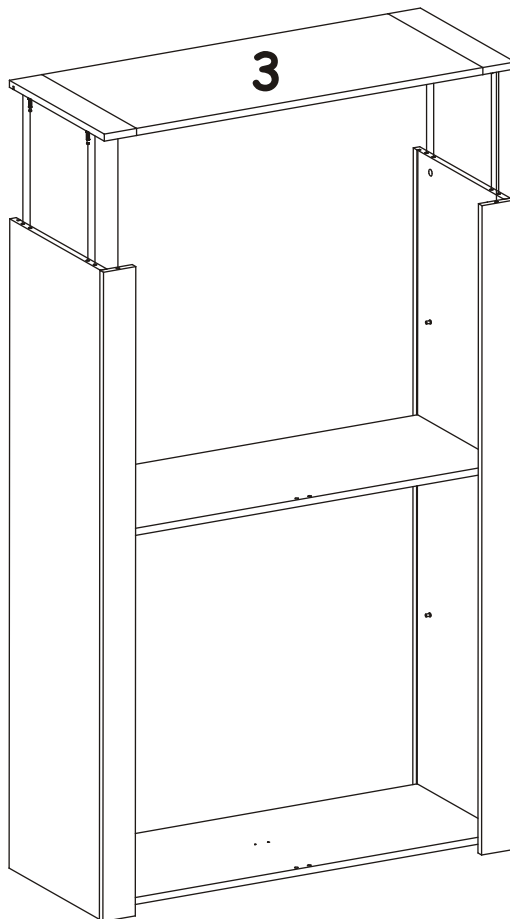
7

24...BT

6



8



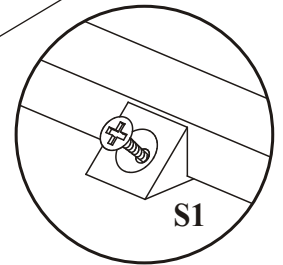
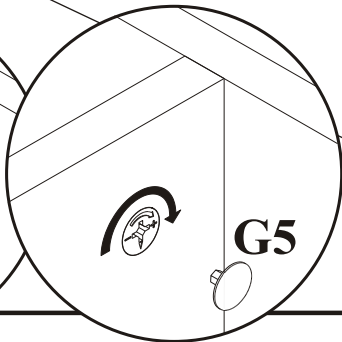
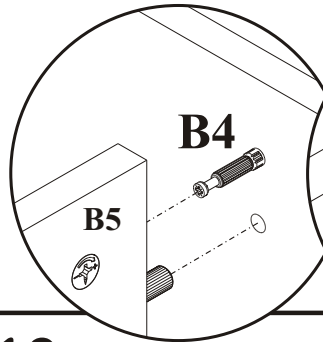
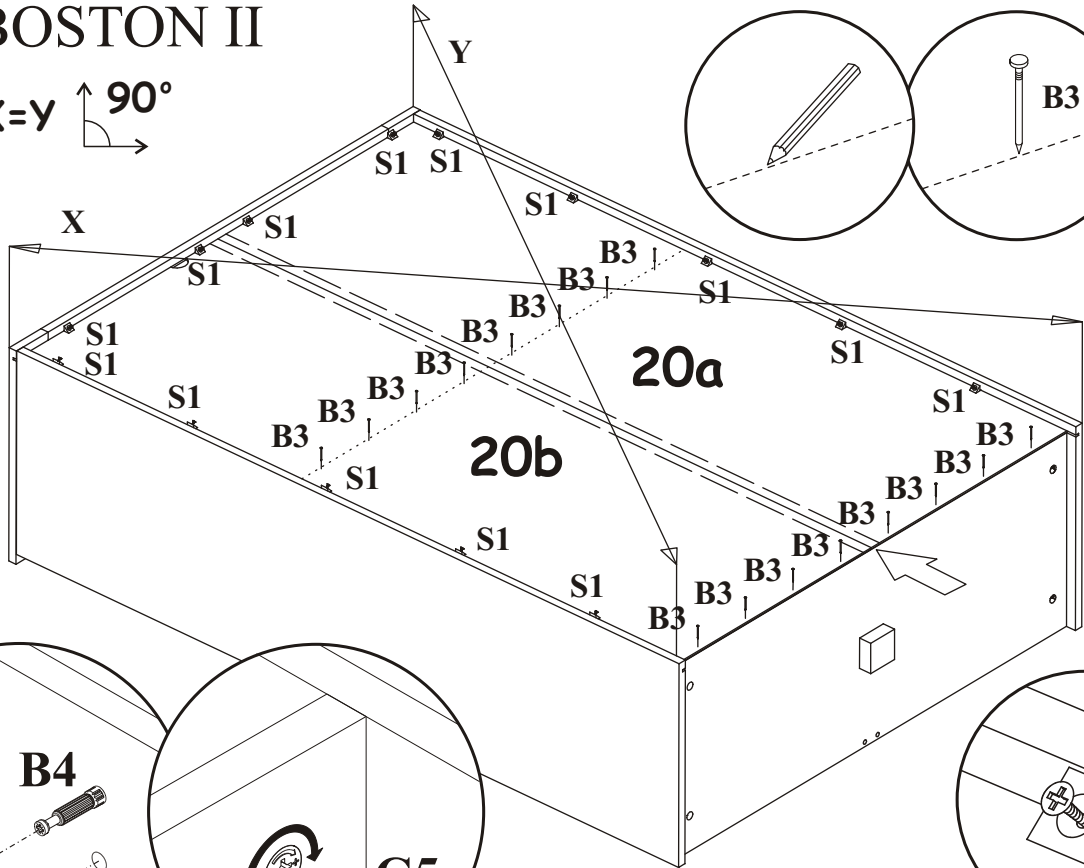
SYSTEM BOSTON  
WS BOSTON II

TYPE 09

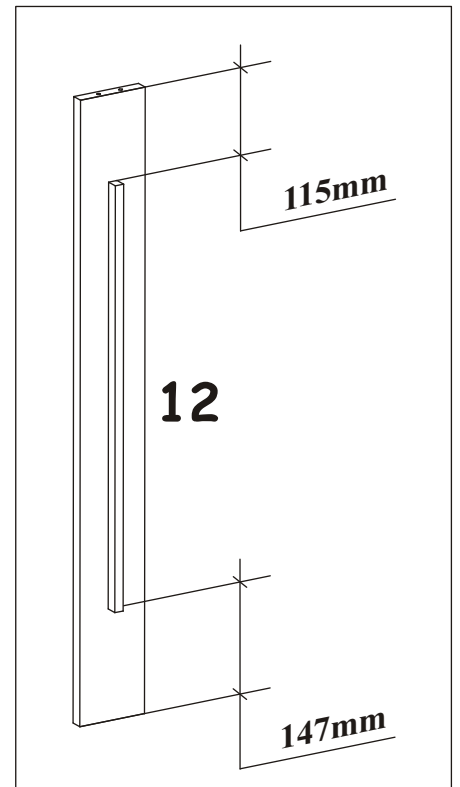
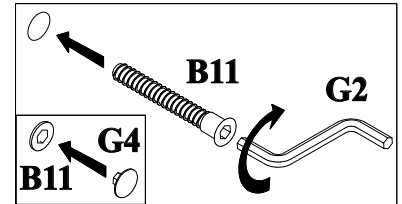
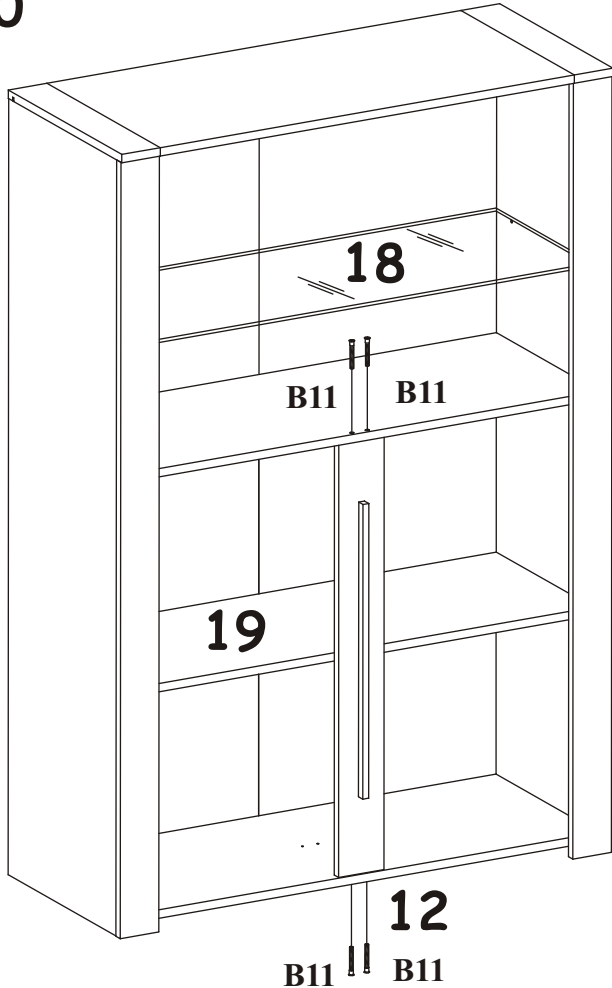
24...BT

9

X=Y 90°



10



11

