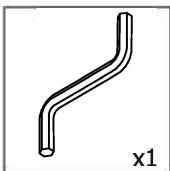
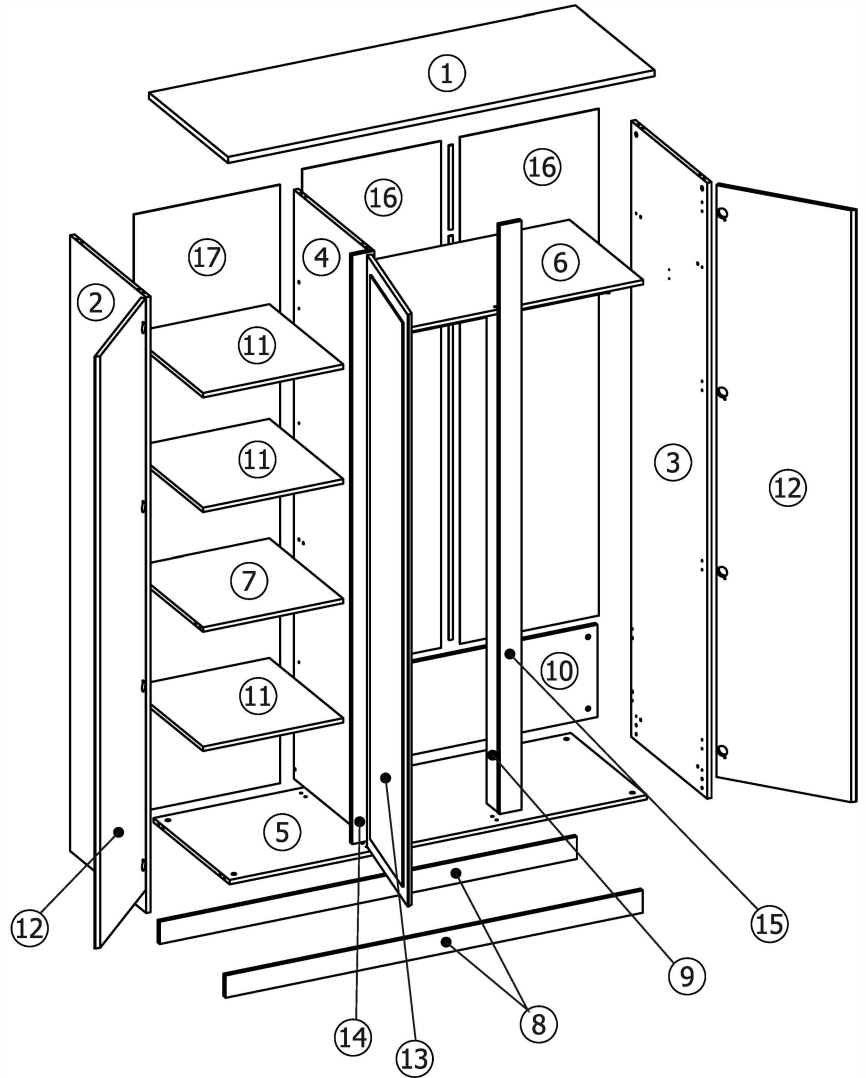
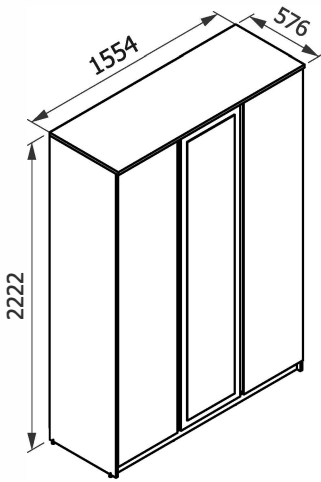
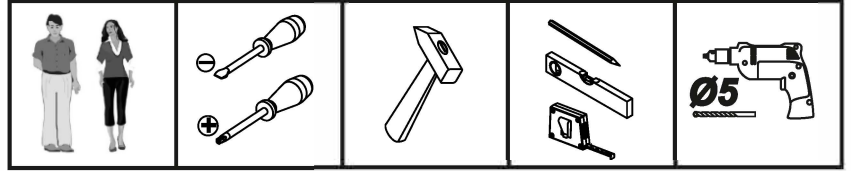









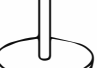

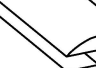
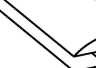





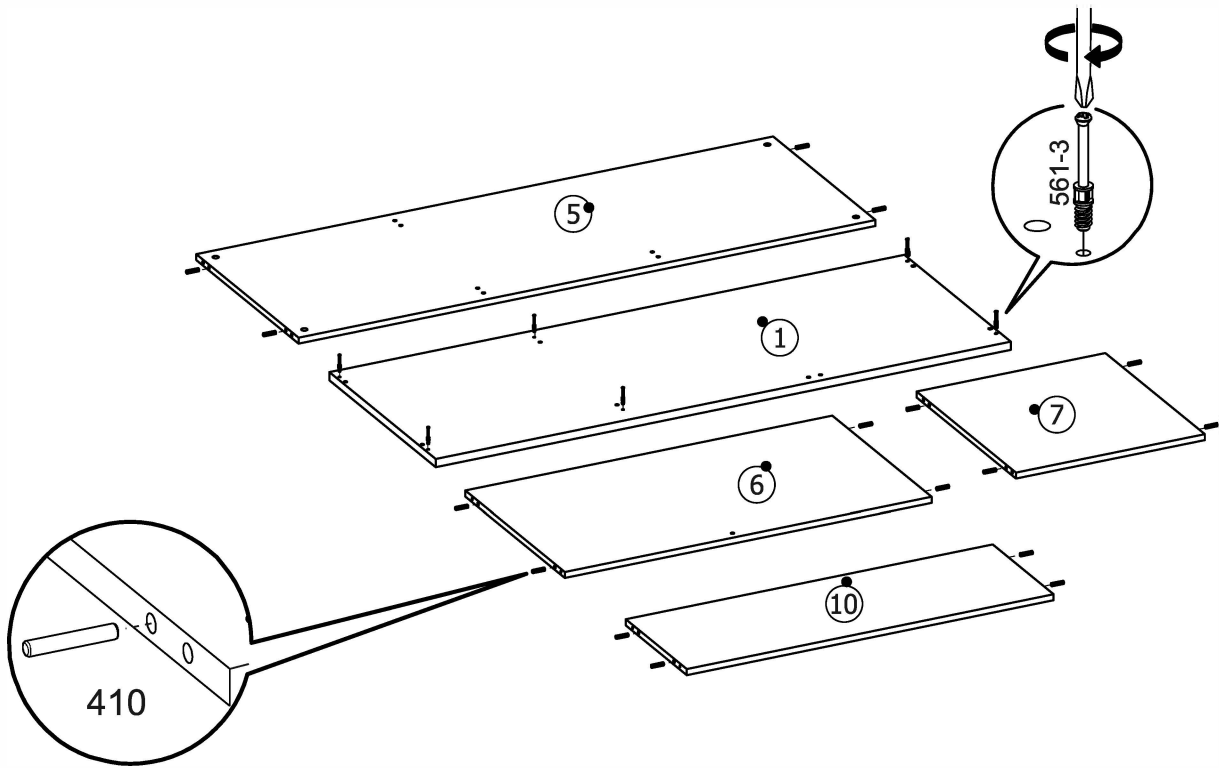
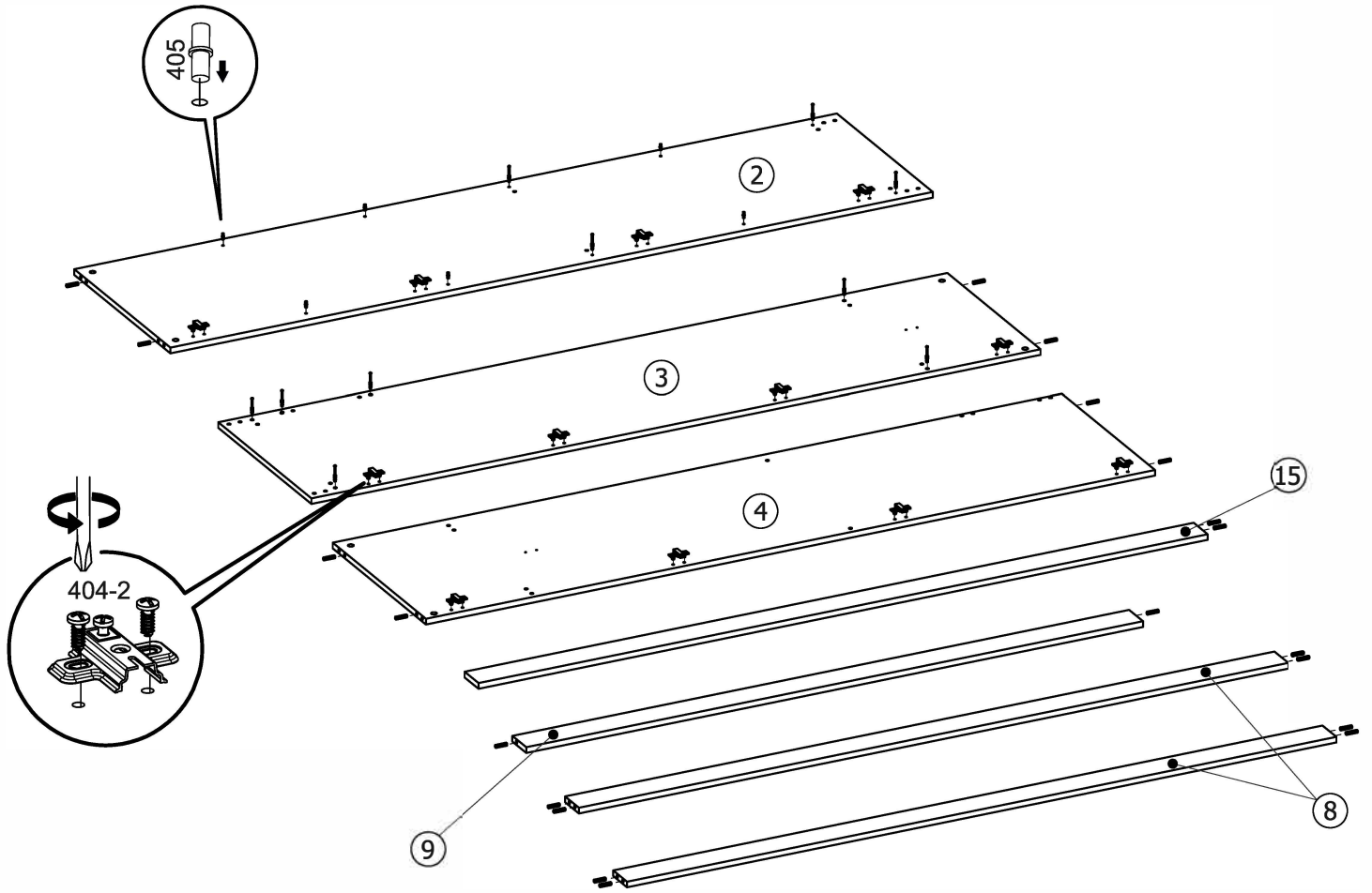


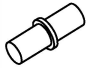



No	L	B	S	Q	☒
01	1554	576	22	1	3/5
02	2200	554	16	1	1/5
03	2200	554	16	1	1/5
04	2104	538	16	1	2/5
05	1520	554	16	1	3/5
06	993	538	16	1	3/5
07	511	538	16	1	2/5
08	1520	80	16	2	3/5
09	1780	80	16	1	2/5
10	993	330	16	1	3/5
11	511	538	16	3	2/5
12	2114	496	16	2	4/5
13	2114	496	16	1	5/5
13.01	2014	396	4	1	5/5
14	2104	80	16	1	2/5
15	2104	80	16	1	2/5
16	1810	506	3	2	2/5
17	2138	533	3	1	1/5

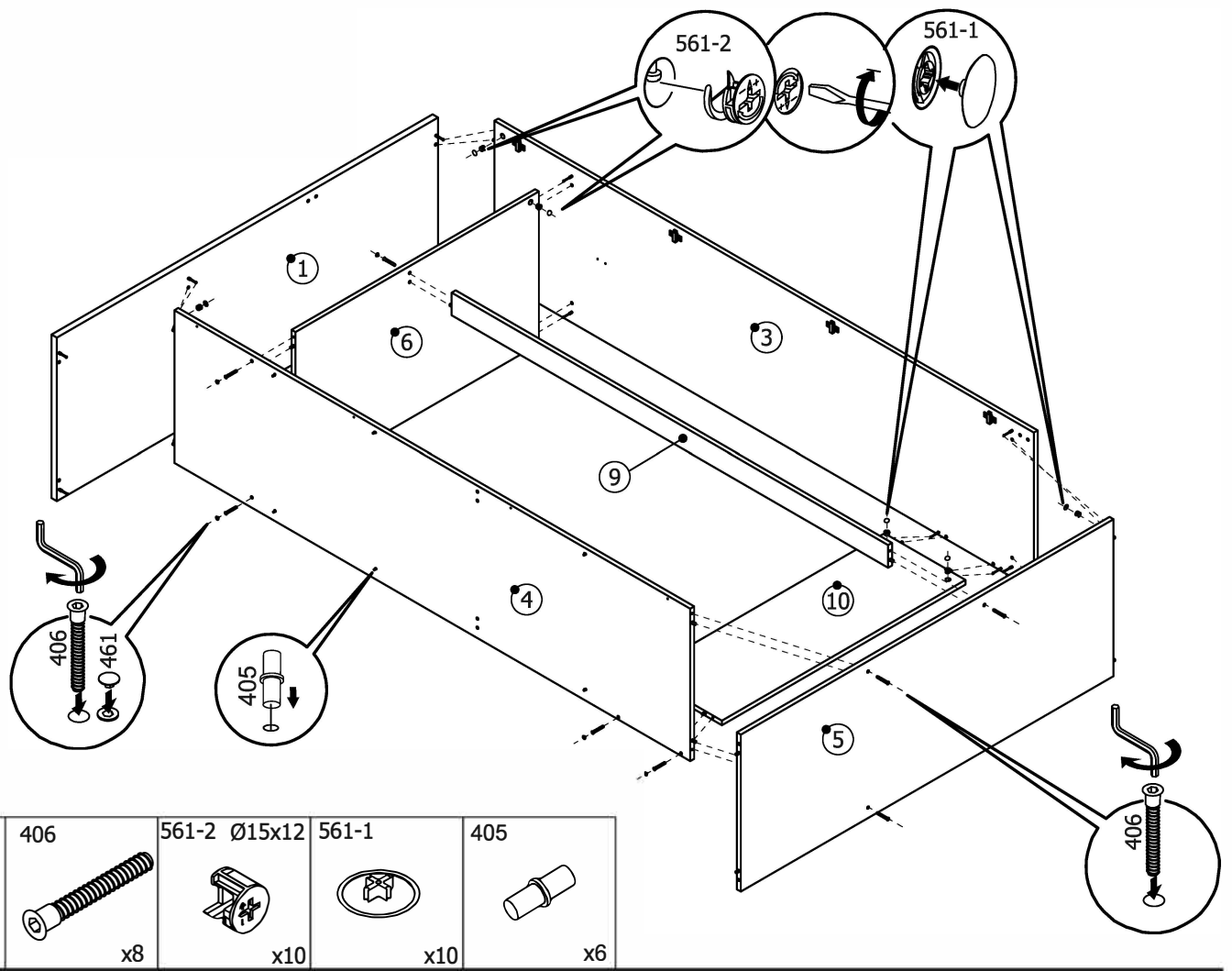


561-1  x16	561-2 Ø15x12  x16	561-3 Ø7x45  x16	404-1 NAK  x12	404-2  x12	410 Ø8x30  x36	301 1,6x25  x126	733  x7	202 Ø4x13  x34
470  x8	205 4x16  x4	407 L=1446mm  x1	407 L=305mm  x1	461  x7	405  x12	411  x2	406  x10	412 L=987mm  x1

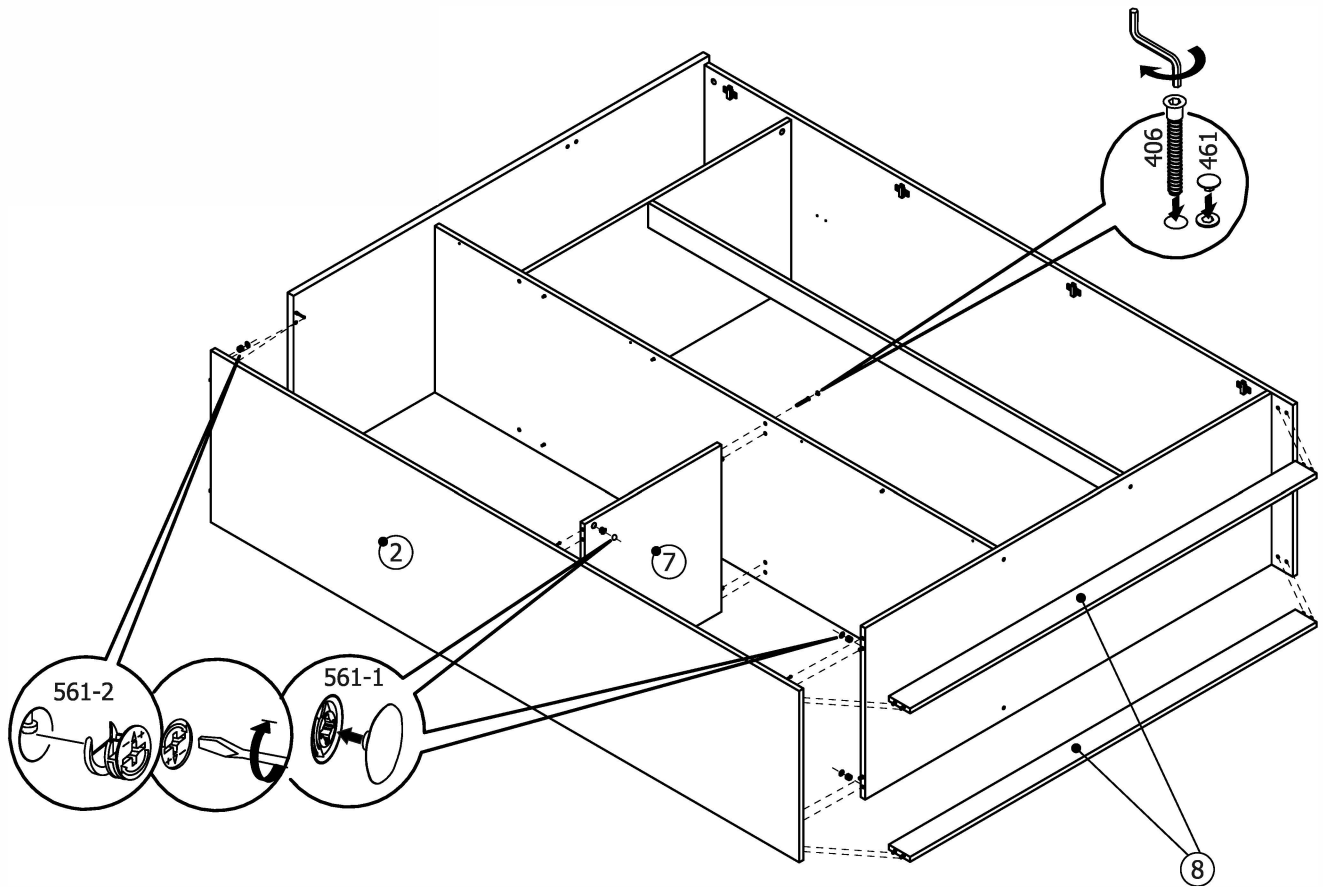




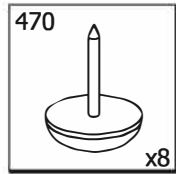
405	410 Ø8x30	736-2	561-3 Ø7x45
			
x6	x36	x16	x16



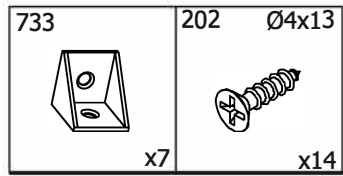
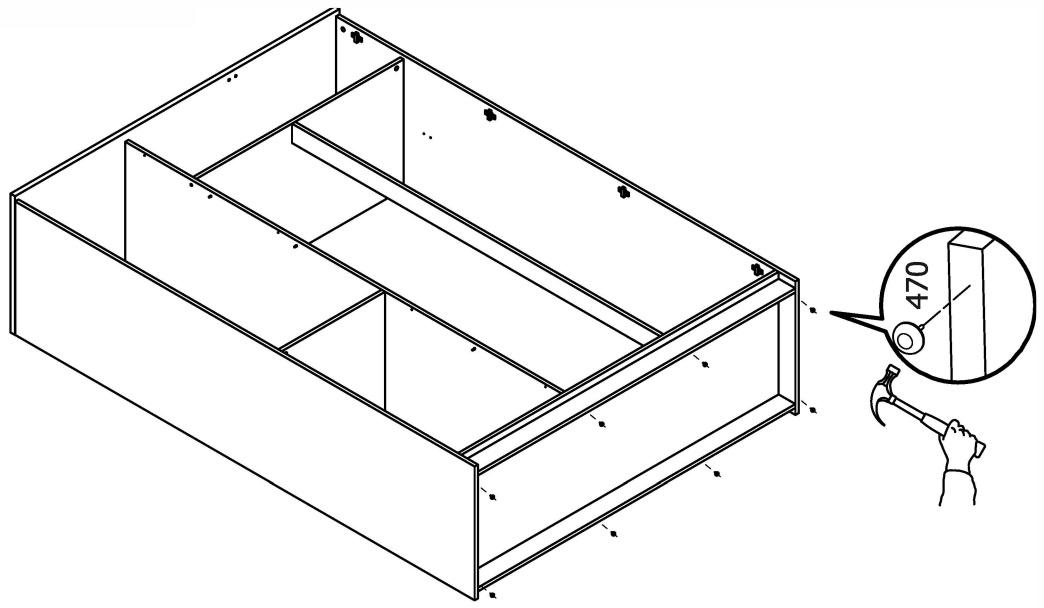
**3**



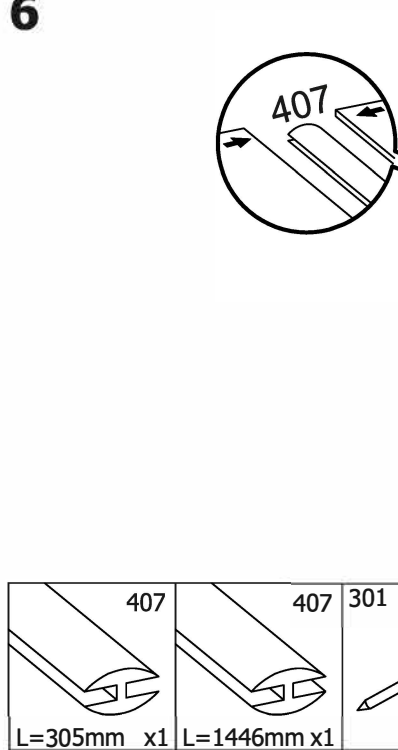
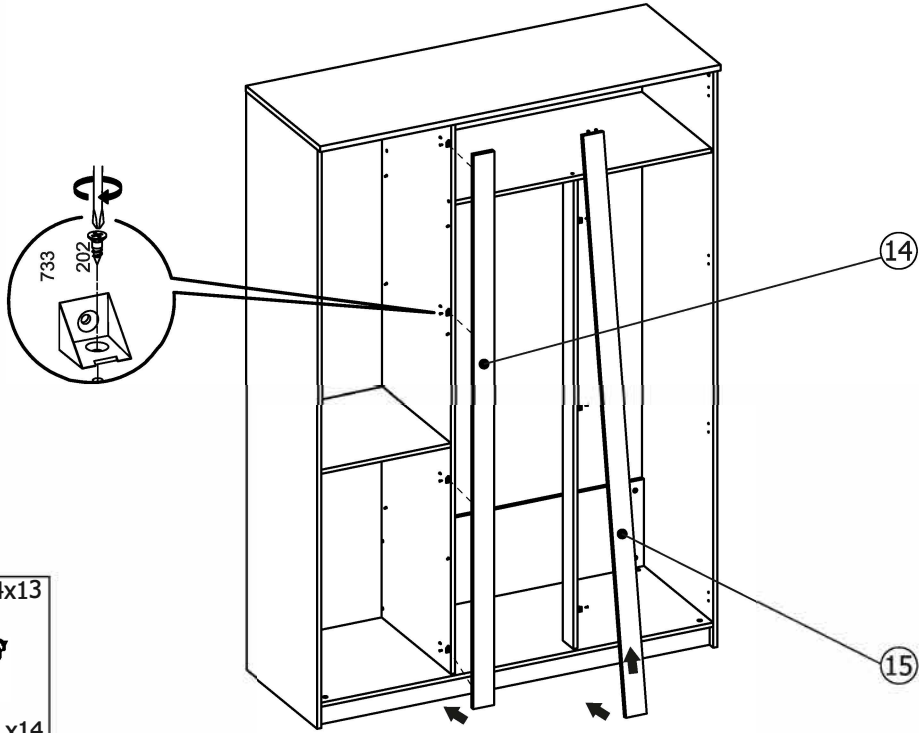
**3/5**



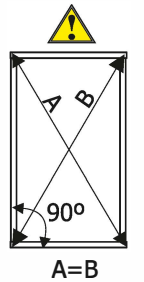
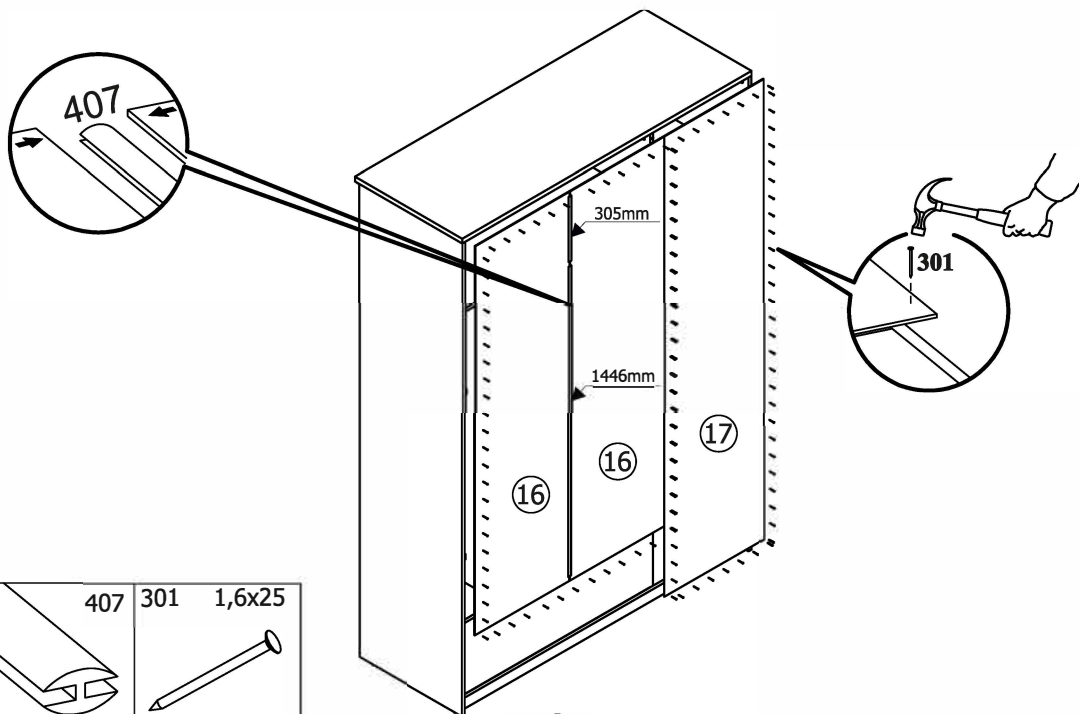
**5**

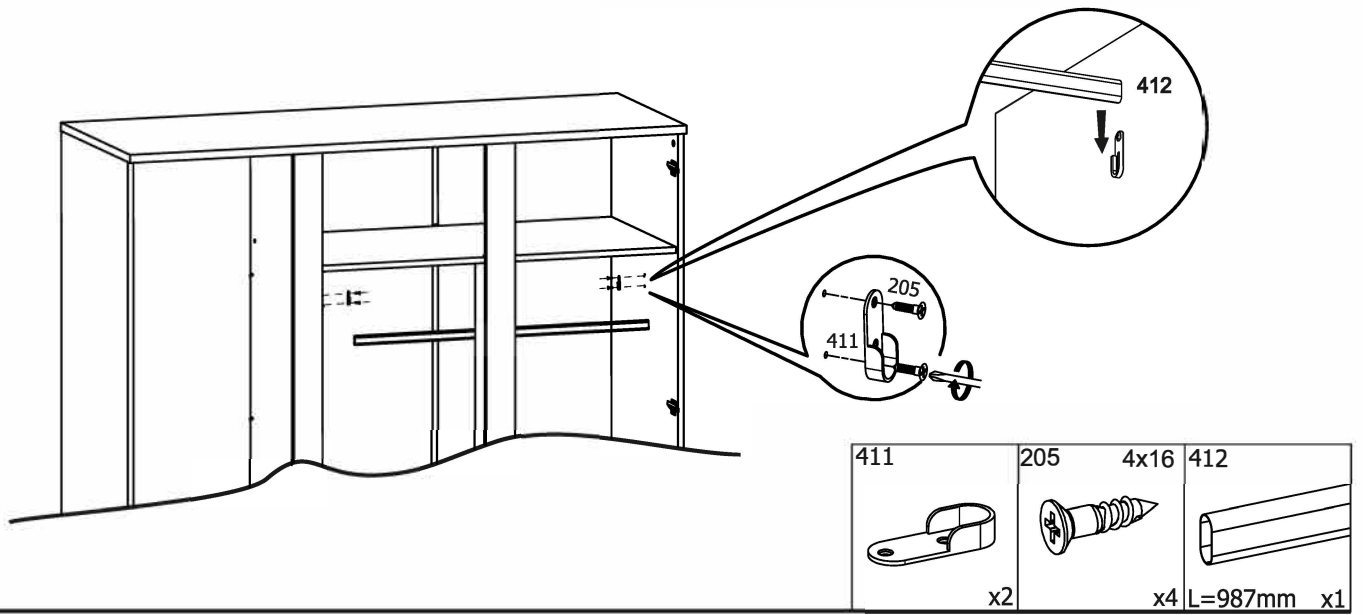


**6**

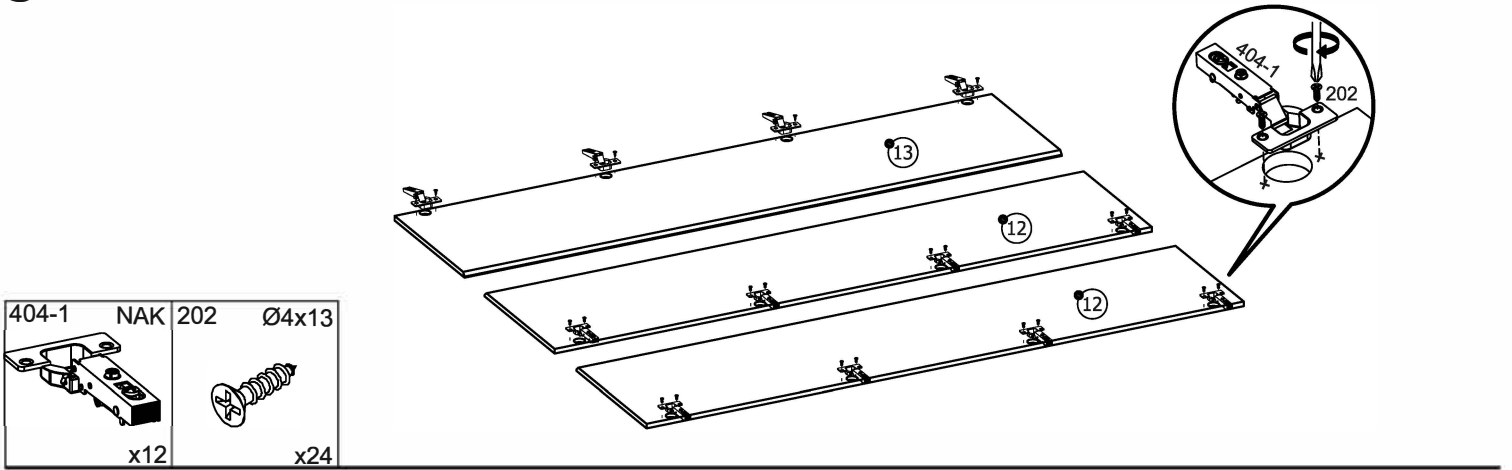


**4/5**





8



9

