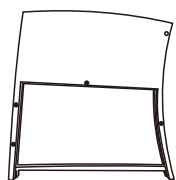

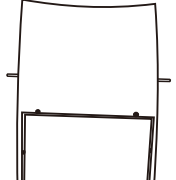
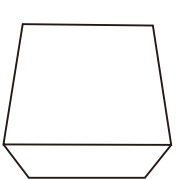


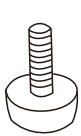
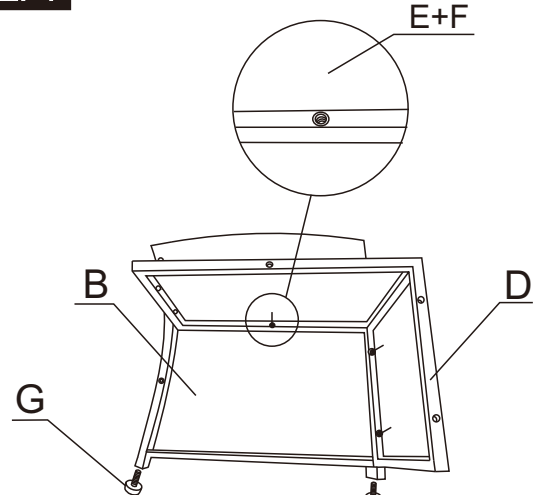
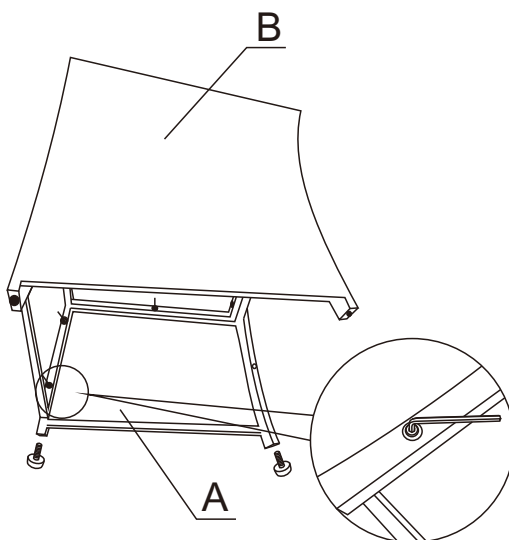
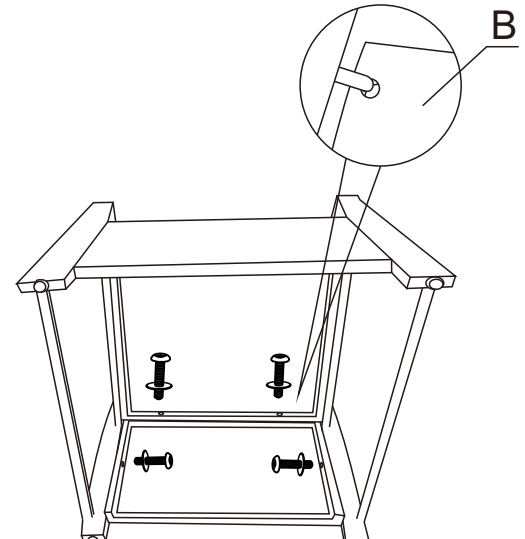
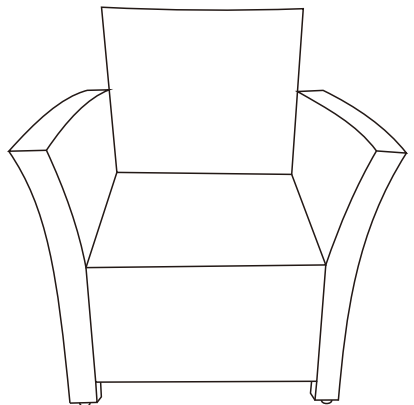
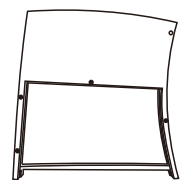
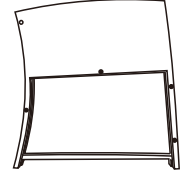
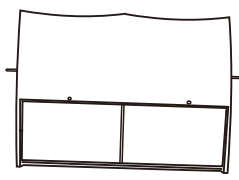
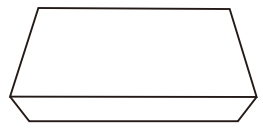
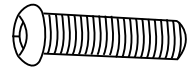


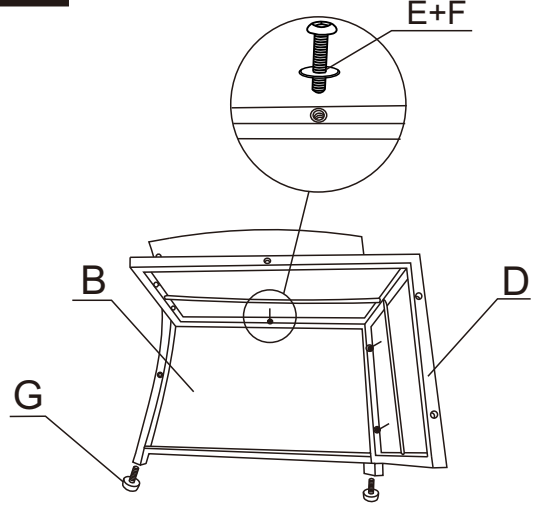
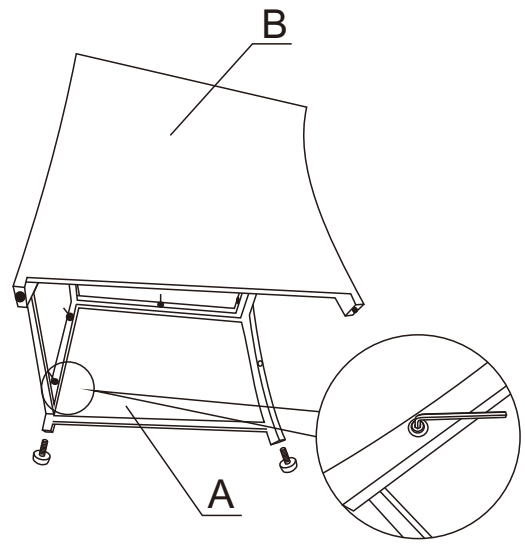
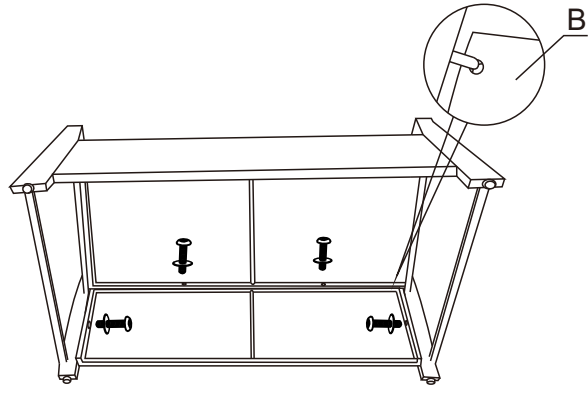
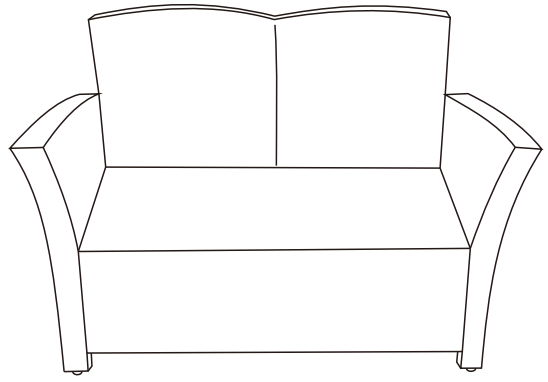


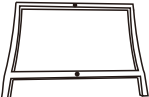
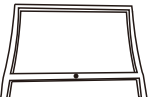
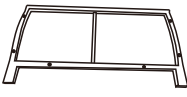
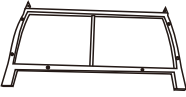
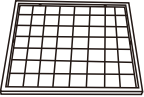
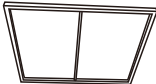
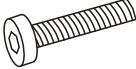


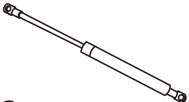



# ASSEMBLING INSTRUCTION

<p><b>A</b></p>  <p>1PC</p>	<p><b>B</b></p>  <p>1PC</p>	<p><b>C</b></p>  <p>1PC</p>	<p><b>D</b></p>  <p>1PC</p>
<p><b>E</b></p>  <p>10PCS M6*35</p>	<p><b>F</b></p>  <p>10PCS</p>	<p><b>G</b></p>  <p>4PCS</p>	
<p><b>STEP1</b></p> 		<p><b>STEP2</b></p> 	
<p><b>STEP3</b></p> 		<p><b>STEP4</b></p>  <p><b>Note:</b> Do not tighten screws completely until assembling is completed.</p>	

# ASSEMBLING INSTRUCTION

<p><b>A</b></p>  <p>1PC</p>	<p><b>B</b></p>  <p>1PC</p>	<p><b>C</b></p>  <p>1PC</p>	<p><b>D</b></p>  <p>1PC</p>
<p><b>E</b></p>  <p>10PCS M6*35</p>	<p><b>F</b></p>  <p>10PCS</p>	<p><b>G</b></p>  <p>4PCS</p>	
<p><b>STEP1</b></p> 		<p><b>STEP2</b></p> 	
<p><b>STEP3</b></p> 		<p><b>STEP4</b></p>  <p><b>Note:</b> Do not tighten screws completely until assembling is completed.</p>	

# ASSEMBLING INSTRUCTION

<b>A</b>  1PC	<b>B</b>  1PC	<b>C</b>  1PC	<b>D</b>  1PC	<b>E</b>  1PC
<b>F</b>  1PC	<b>G</b>  M6*35    16PCS	<b>H</b>  M6*20    2PCS	<b>I</b>  18PCS	<b>J</b>  1PC
<b>K</b>  2PCS	<b>L</b>  2PCS	<b>M</b>  1PC		

