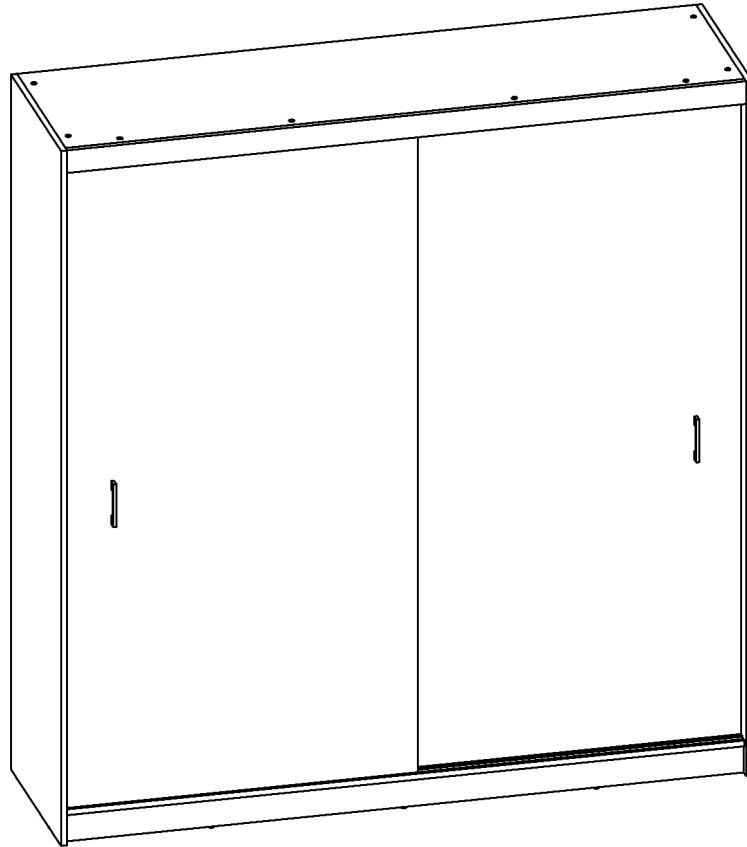
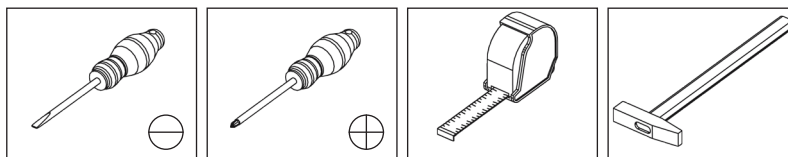


## Sliding cabinet



### Tools needed:



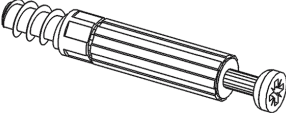

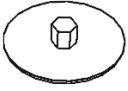
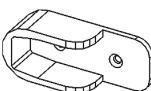

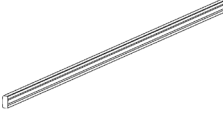

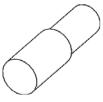
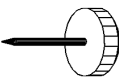
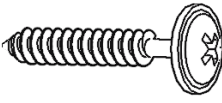
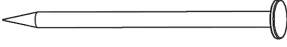
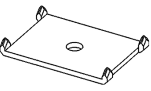
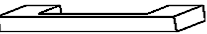
- We recommend that you do not discard the packaging until you complete the assembly.
- All assembly should be performed on a clean and soft surface such as piece of cardboard, towel or blanket. This will prevent damage to furniture.
- Both plastic packaging and fittings **should be kept out of reach of infants and children.**
- All joints should be properly tightened.
- Before assembly, please read the entire assembly instructions thoroughly.
- Do not assemble any parts if you notice a defect or damage.



## Fittings in the package

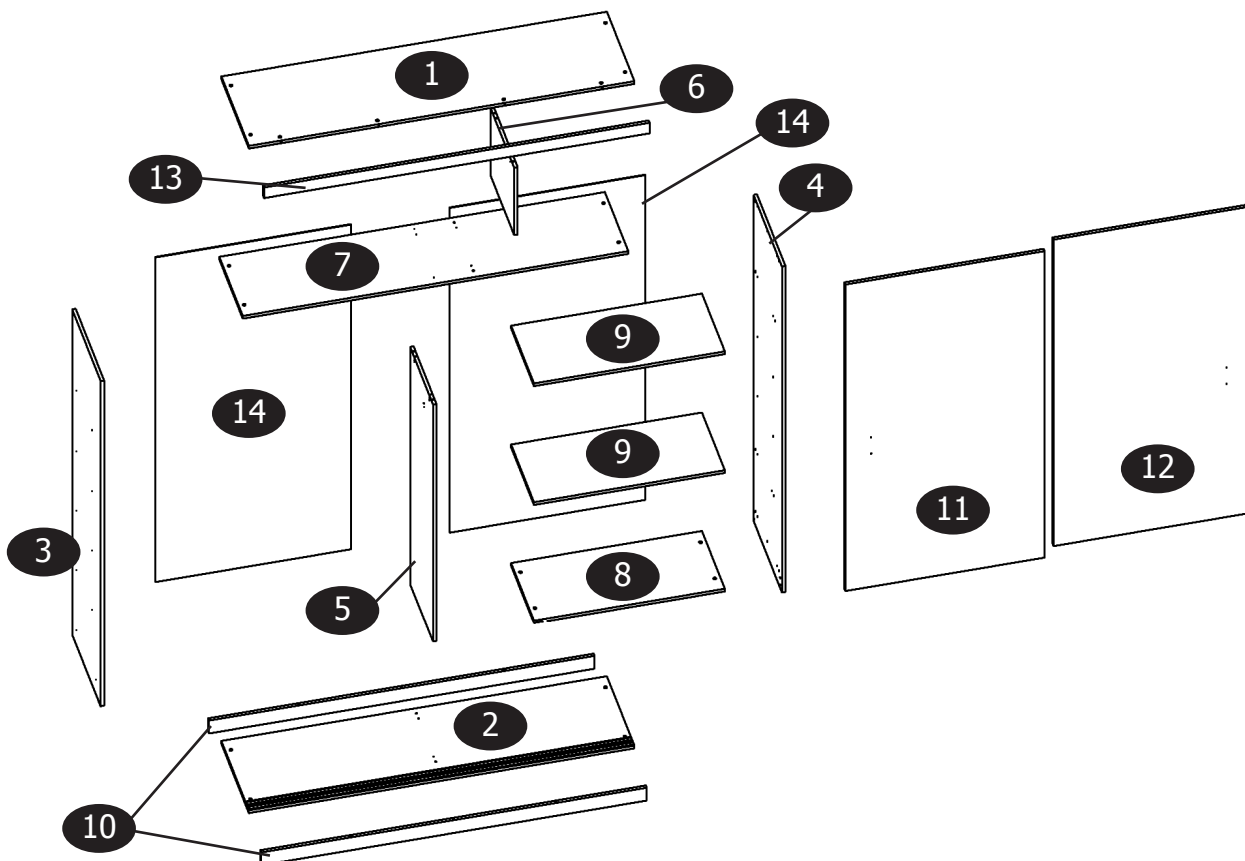
- Before assembly, please make sure there are no missing parts.



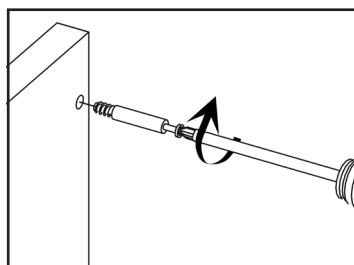
<p><b>N2</b></p>  <p><b>28x M3 eccentric shanks</b></p>	<p><b>M3</b></p>  <p><b>28x eccentrics</b></p>	<p><b>M2</b></p>  <p><b>28x M3 eccentric plugs</b></p>
<p><b>U3</b></p>  <p><b>2x bar handles</b></p>	<p><b>S1</b></p>  <p><b>4x screws</b></p>	<p><b>U2</b></p>  <p><b>1x bar</b></p>
<p><b>E1</b></p>  <p><b>38x pegs</b></p>	<p><b>D4</b></p>  <p><b>8x shelf rests</b></p>	<p><b>T1</b></p>  <p><b>10x furniture legs</b></p>
<p><b>P9</b></p>  <p><math>\Phi 4 \times 30 \text{mm}</math> <b>4x screws</b></p>	<p><b>Z1</b></p>  <p><b>Set of nails</b></p>	<p><b>L2</b></p>  <p><b>7x metal plates</b></p>
<p><b>U1</b></p>  <p><b>2x handles</b></p>		

## Package content

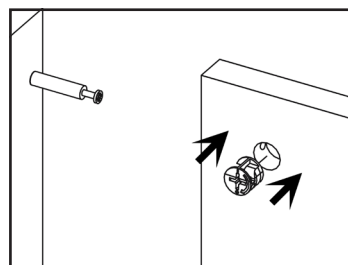
- |  |  |                                       |
|--|--|---------------------------------------|
| <b>1</b> Top panel<br>x1                 | <b>7</b> Upper horizontal partition<br>x1  | <b>13</b> Masking strip of wood<br>x1 |
| <b>2</b> Bottom panel<br>x1              | <b>8</b> Bottom horizontal partition<br>x1 | <b>14</b> Back<br>x2                  |
| <b>3</b> Left side<br>x1                 | <b>9</b> Shelf<br>x2                       |                                       |
| <b>4</b> Right side<br>x1                | <b>10</b> Front/back base<br>x2            |                                       |
| <b>5</b> Bottom vertical partition<br>x1 | <b>11</b> Left door<br>x1                  |                                       |
| <b>6</b> Top vertical partition<br>x1    | <b>12</b> Right door<br>x1                 |                                       |



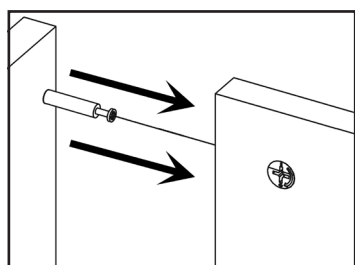
## The basic use of eccentric and shank



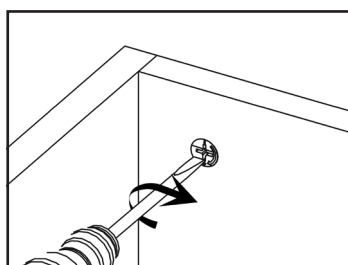
Drive the shank into the board.



Press the eccentric in the other board.



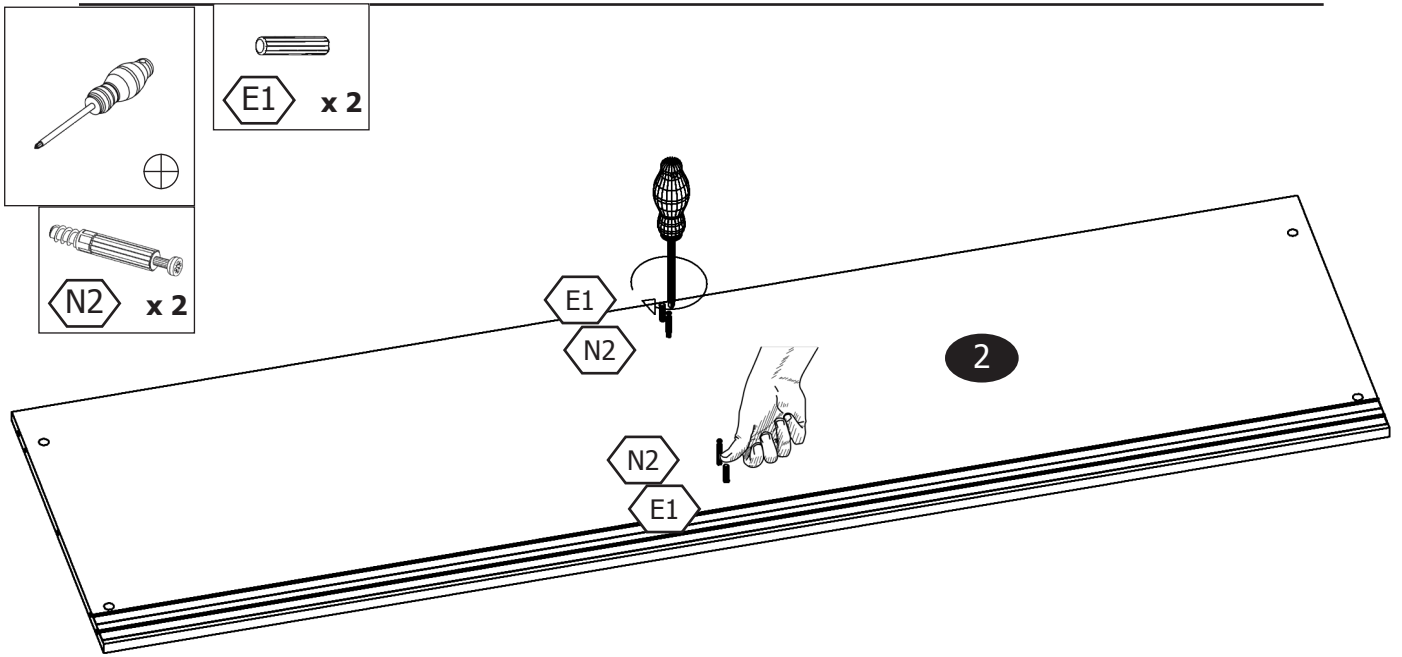
Push the board with the shank closer to the board with the eccentric.



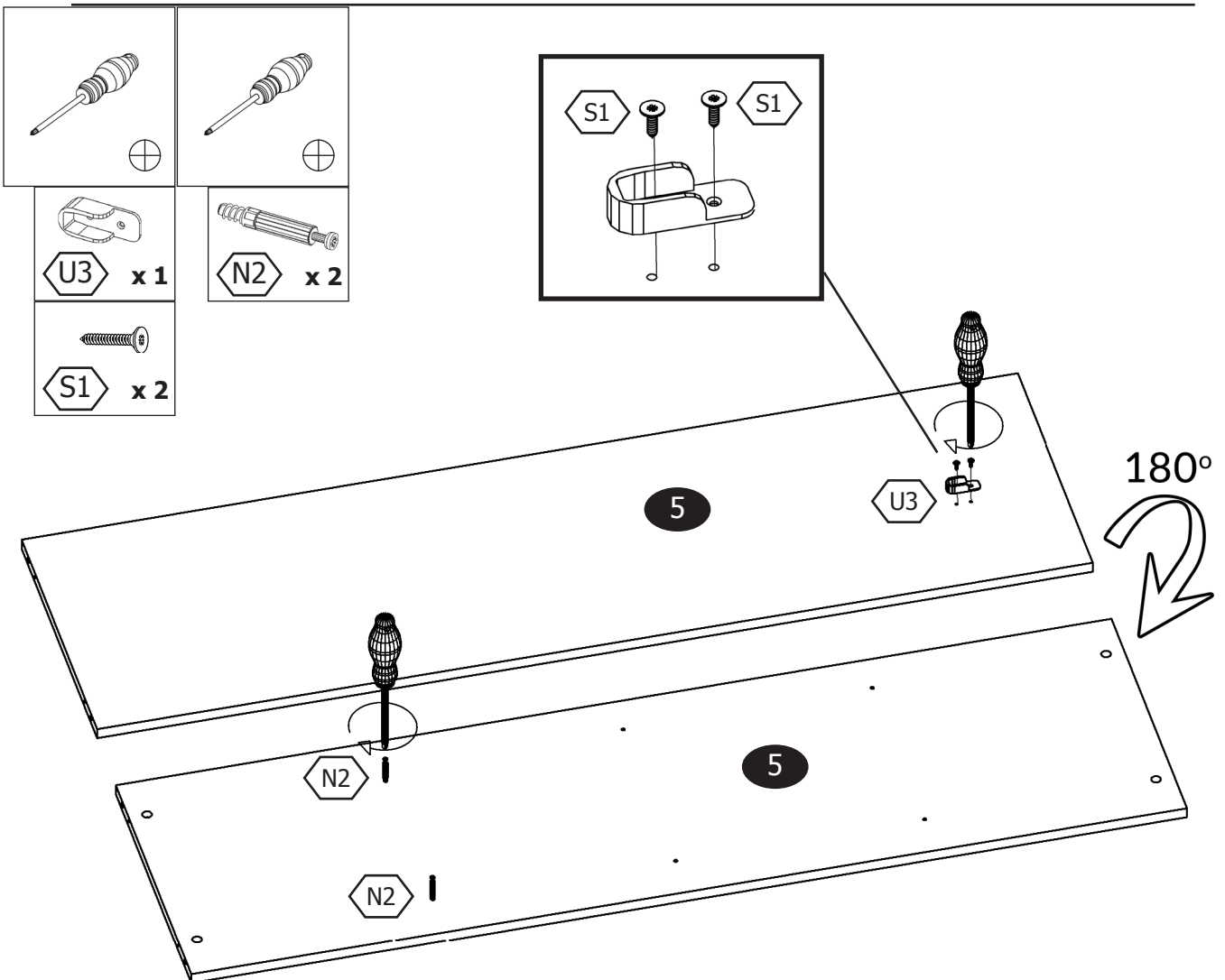
Use a screwdriver or an Allen key to tighten the eccentric so that the boards fit tight properly.

# ASSEMBLY

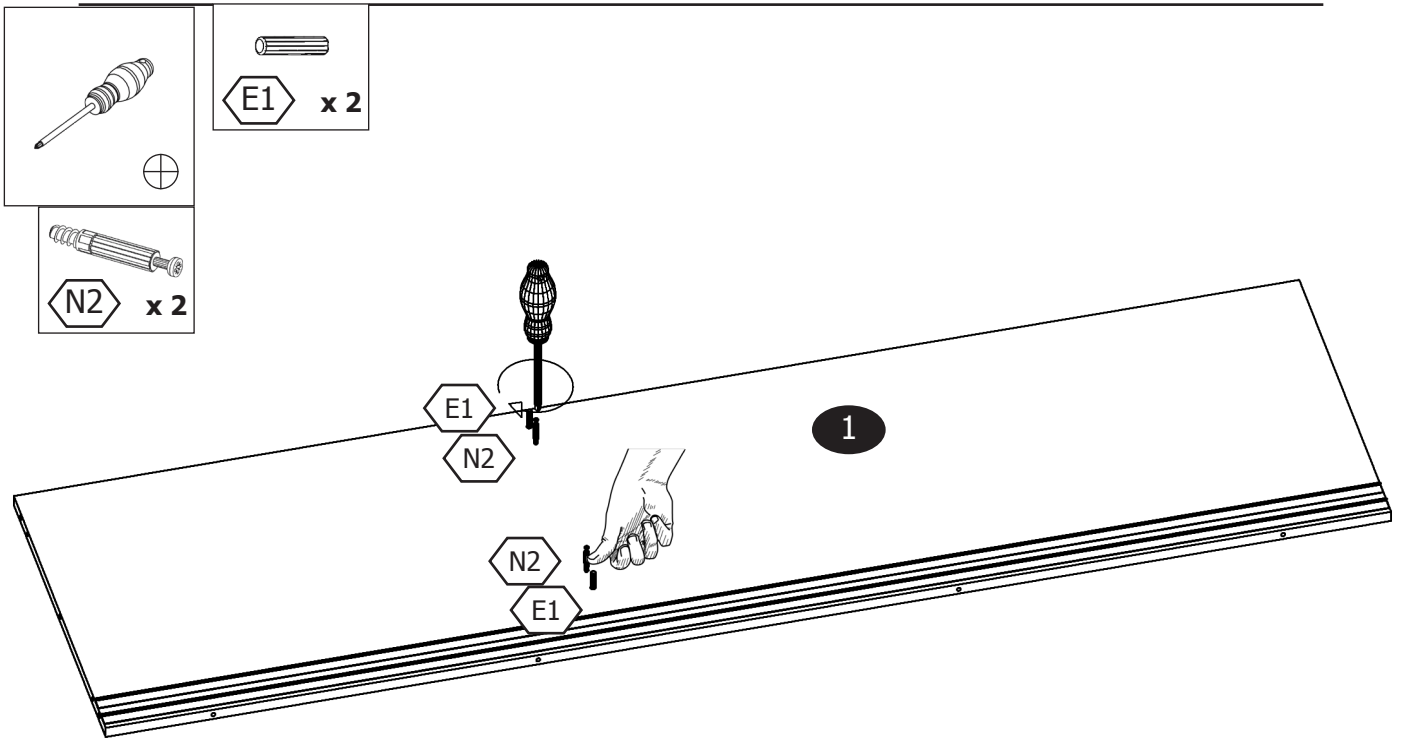
1



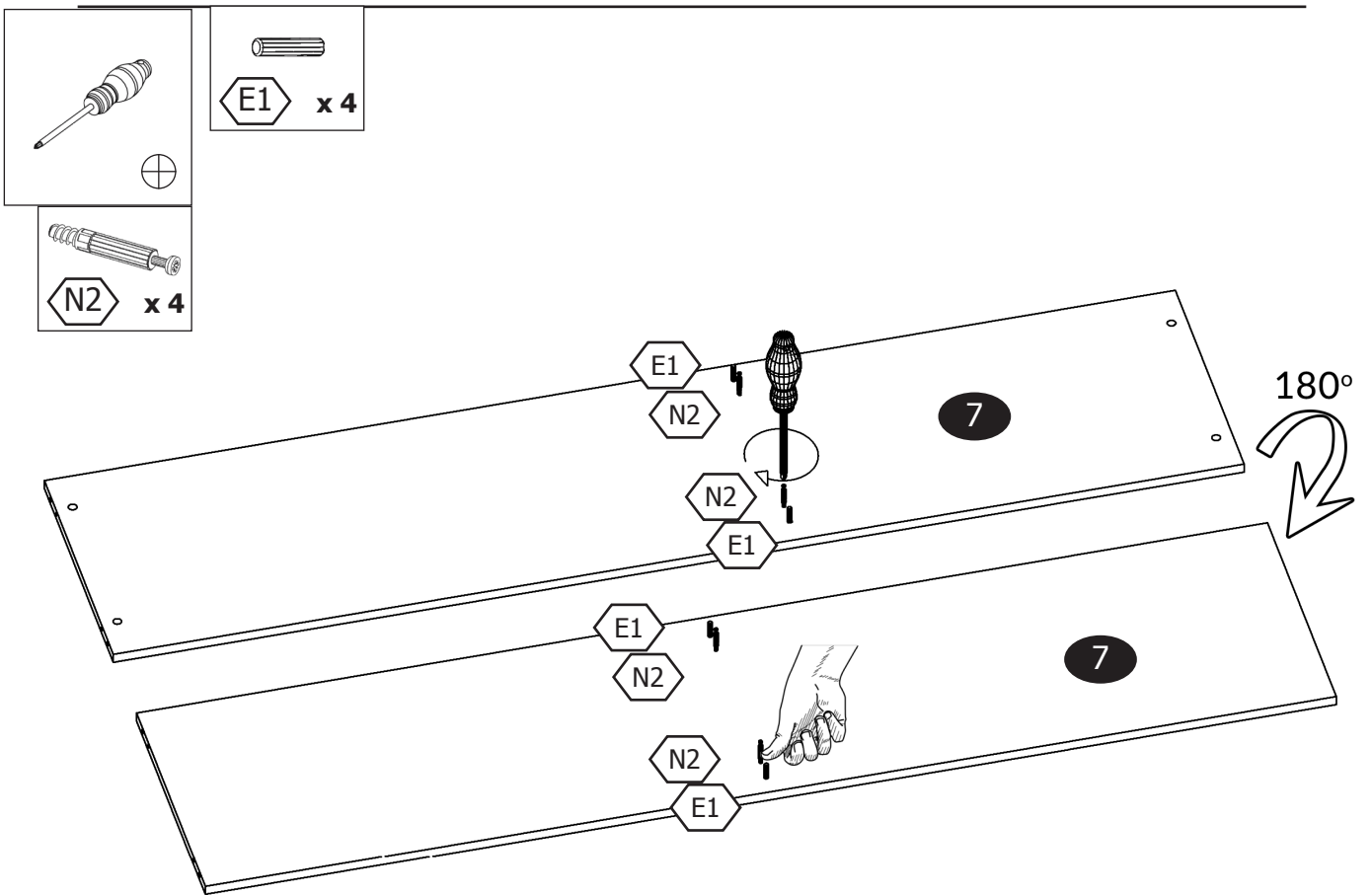
2



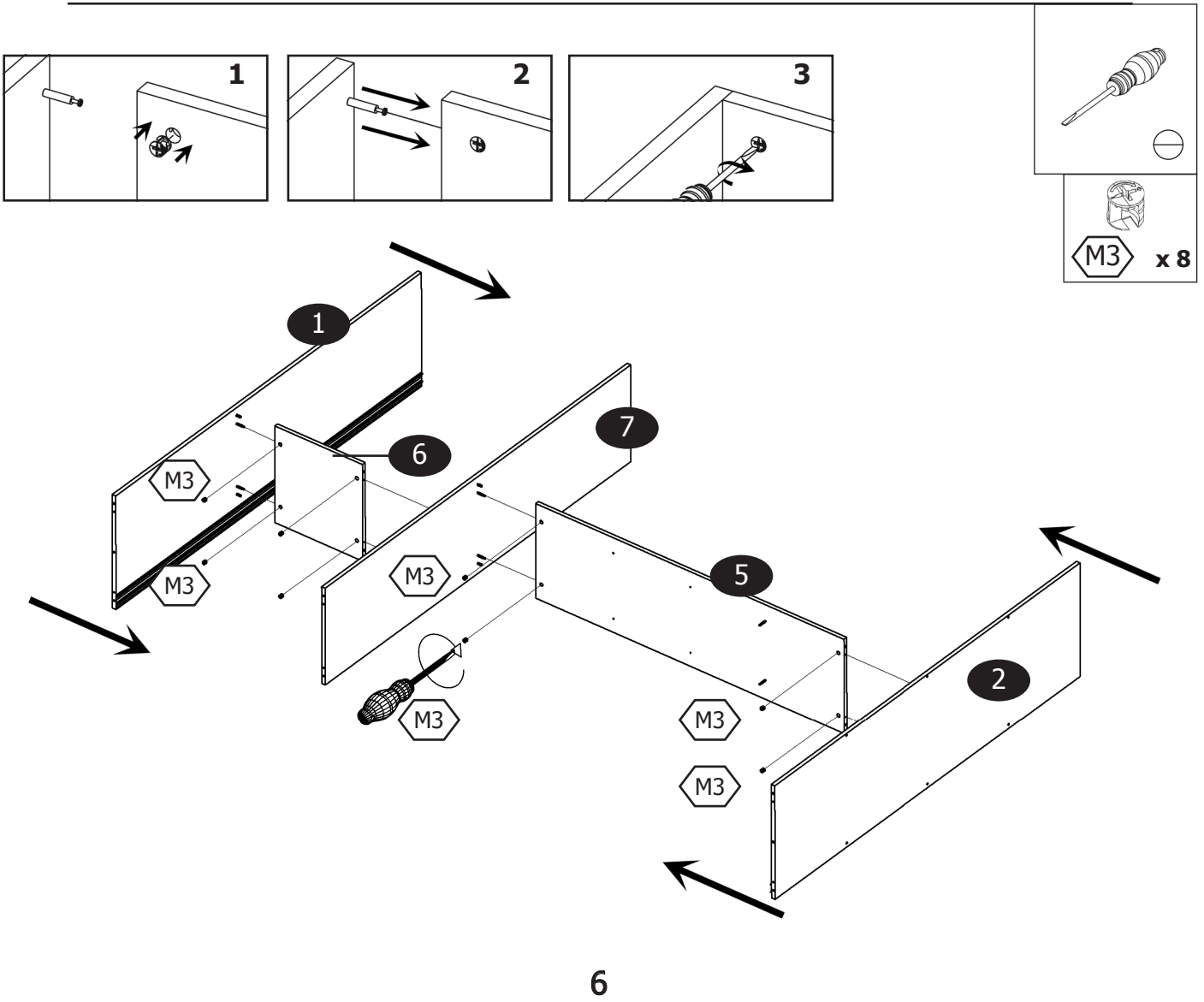
3



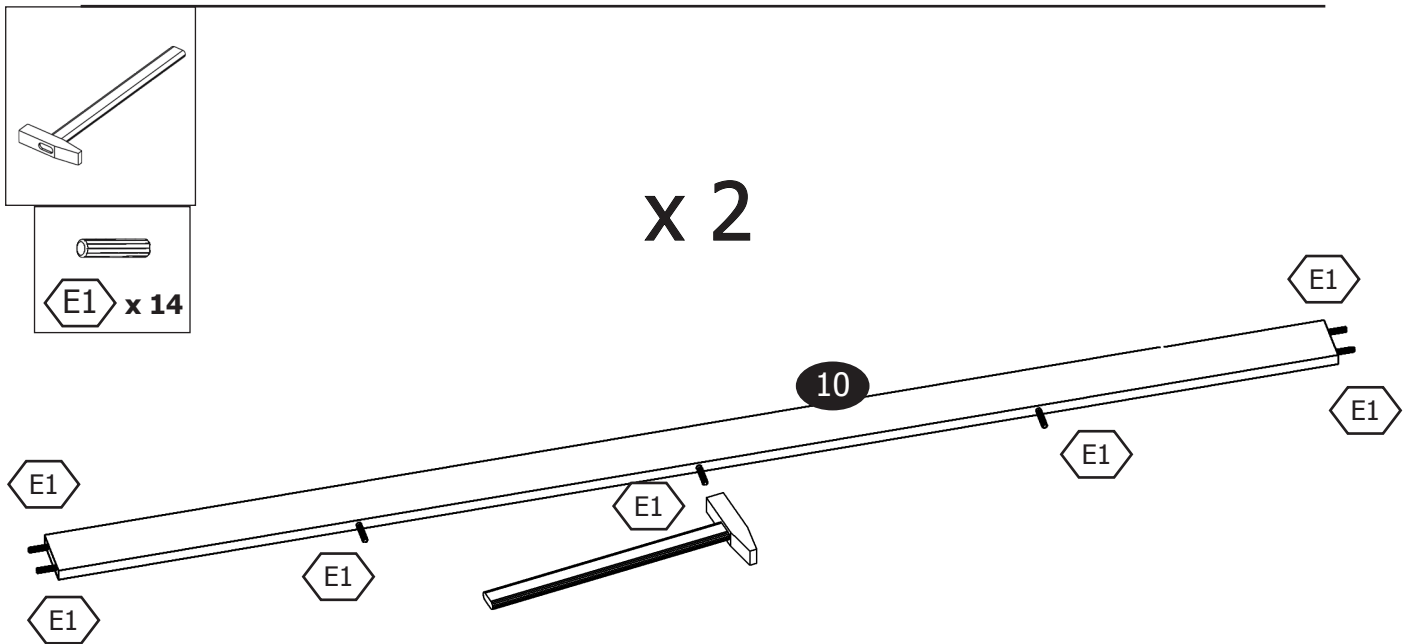
4

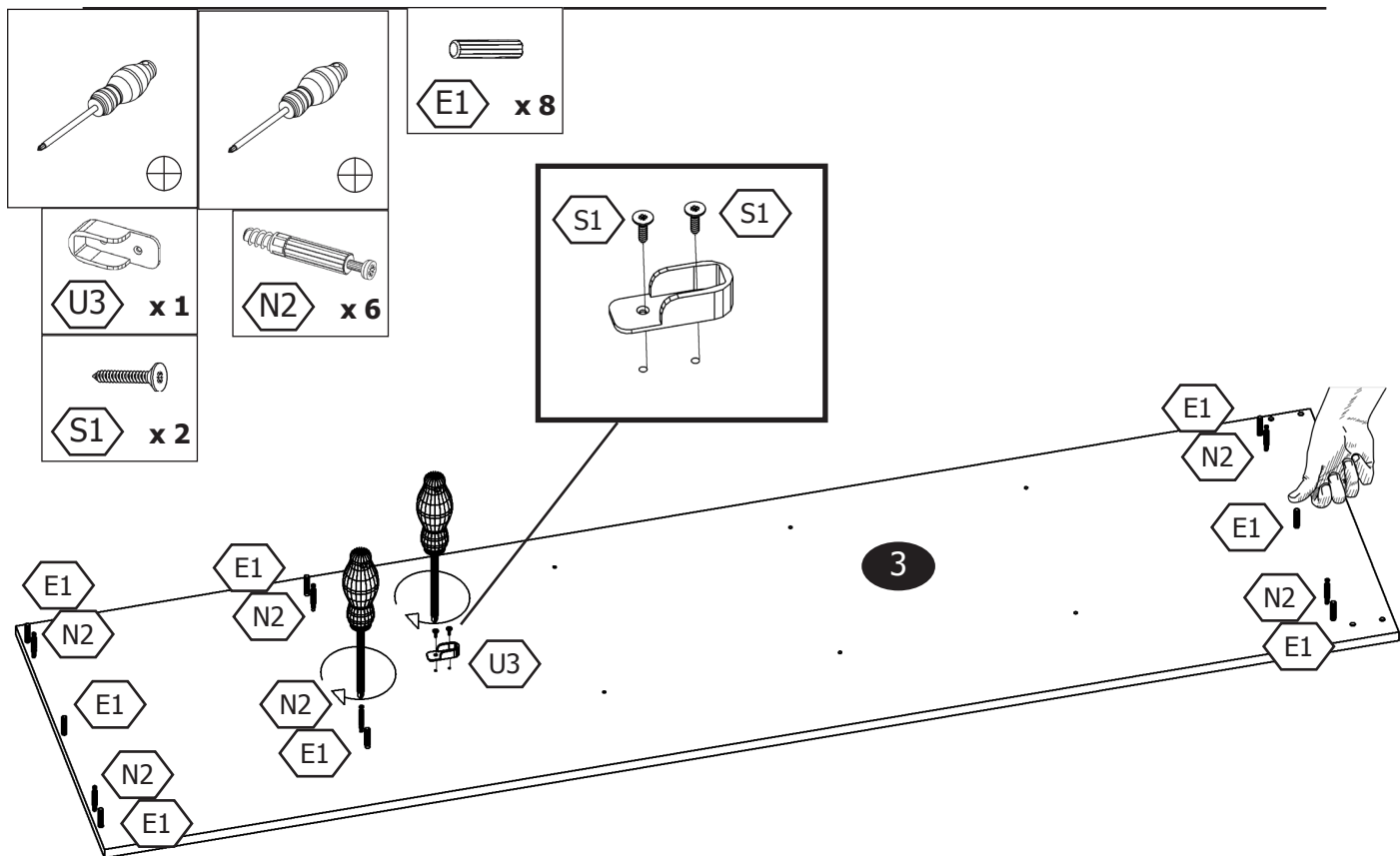
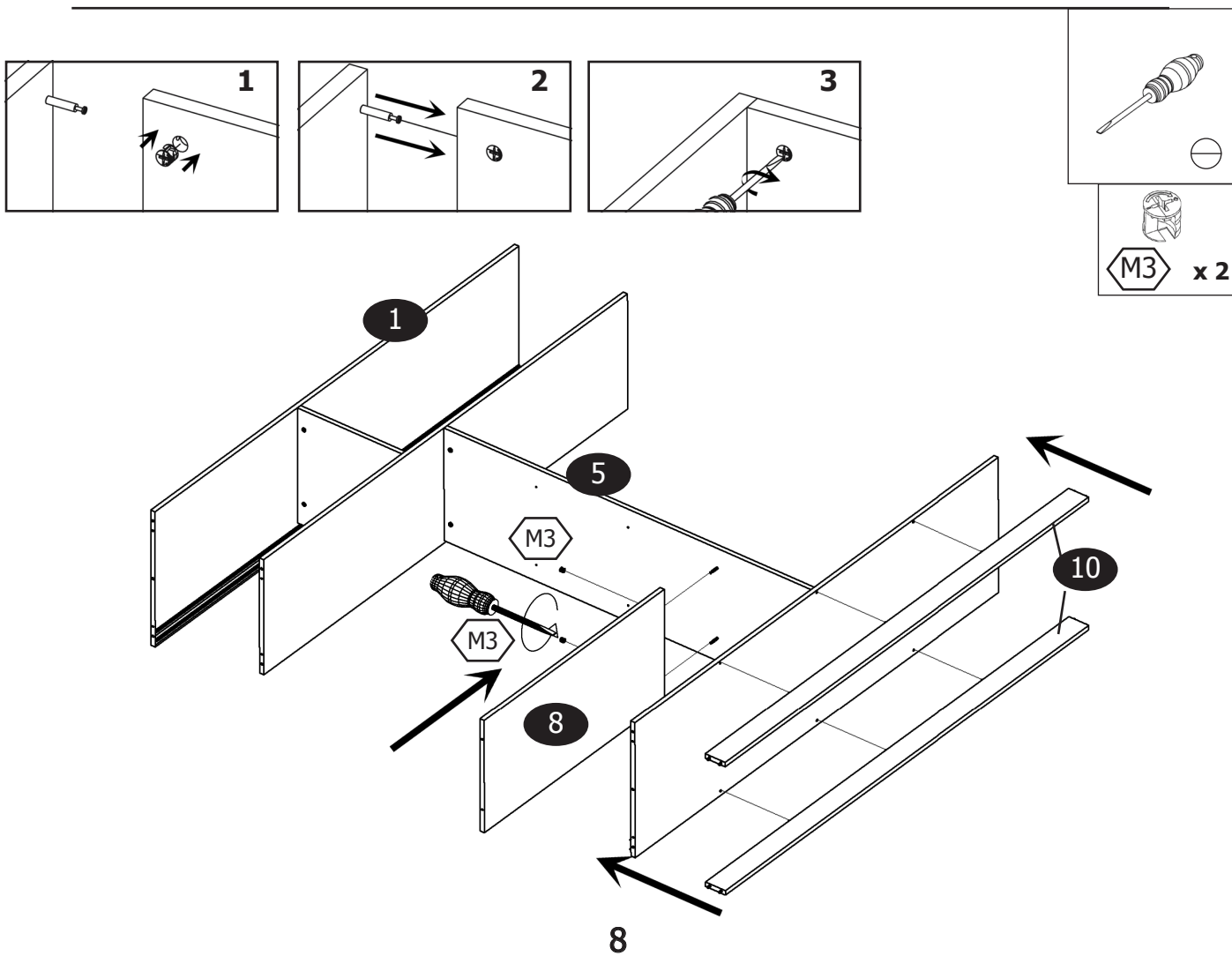


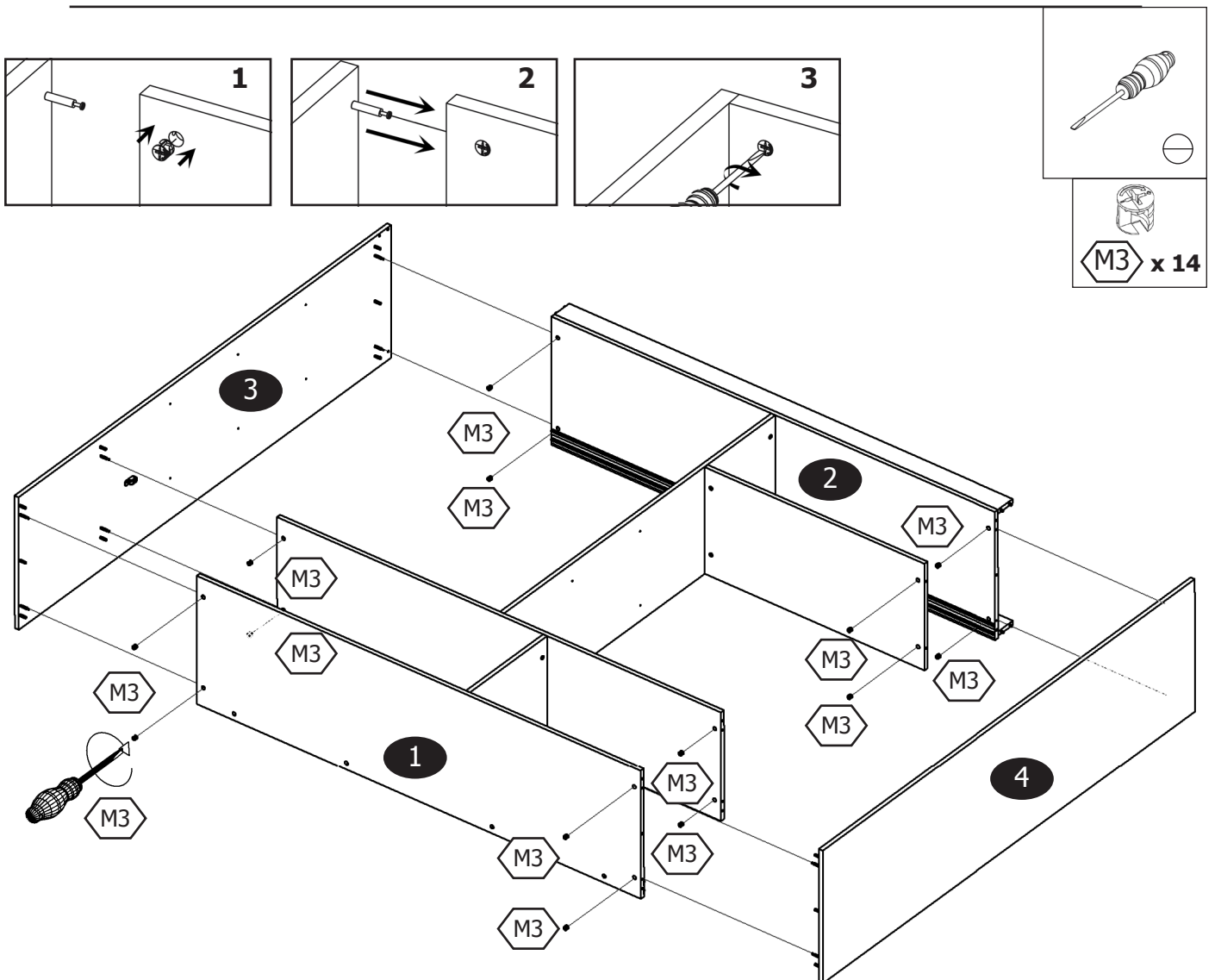
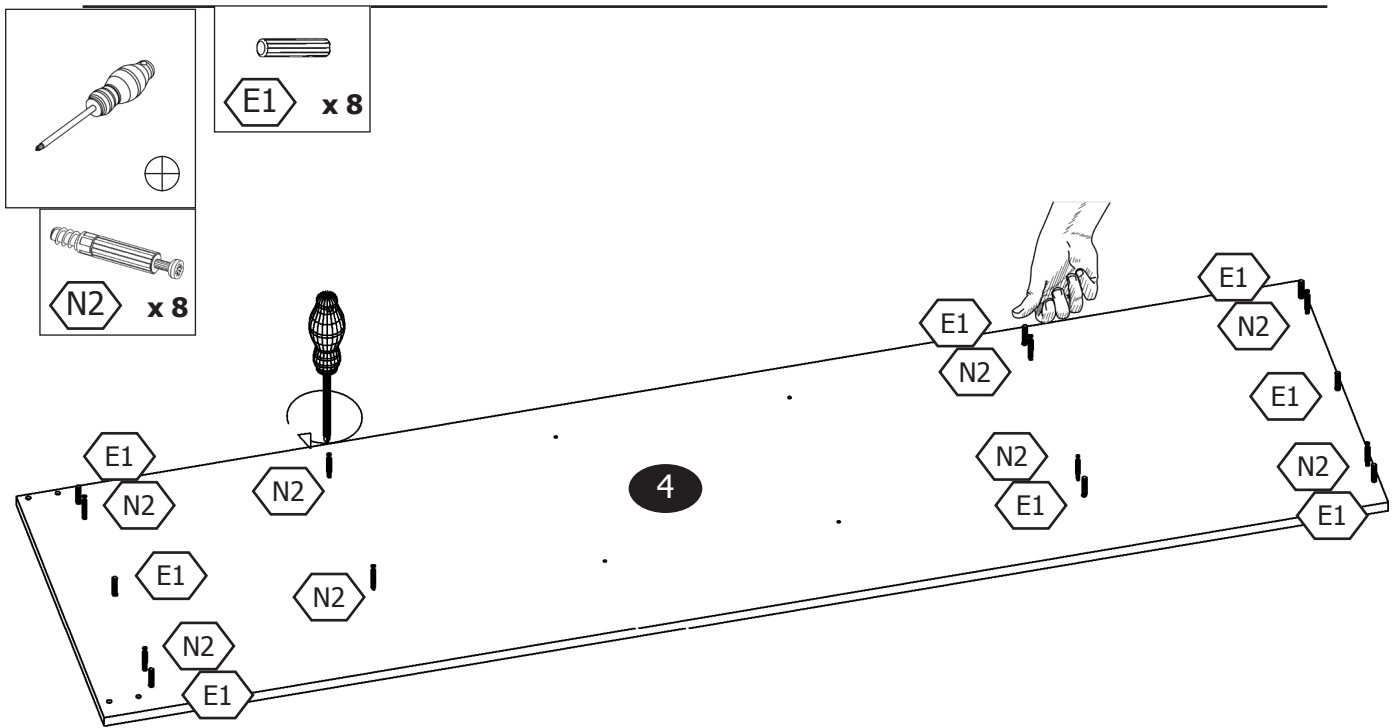
5



6

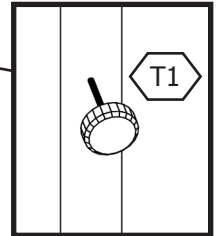
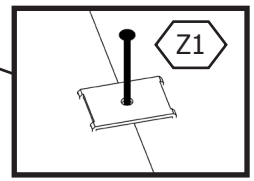
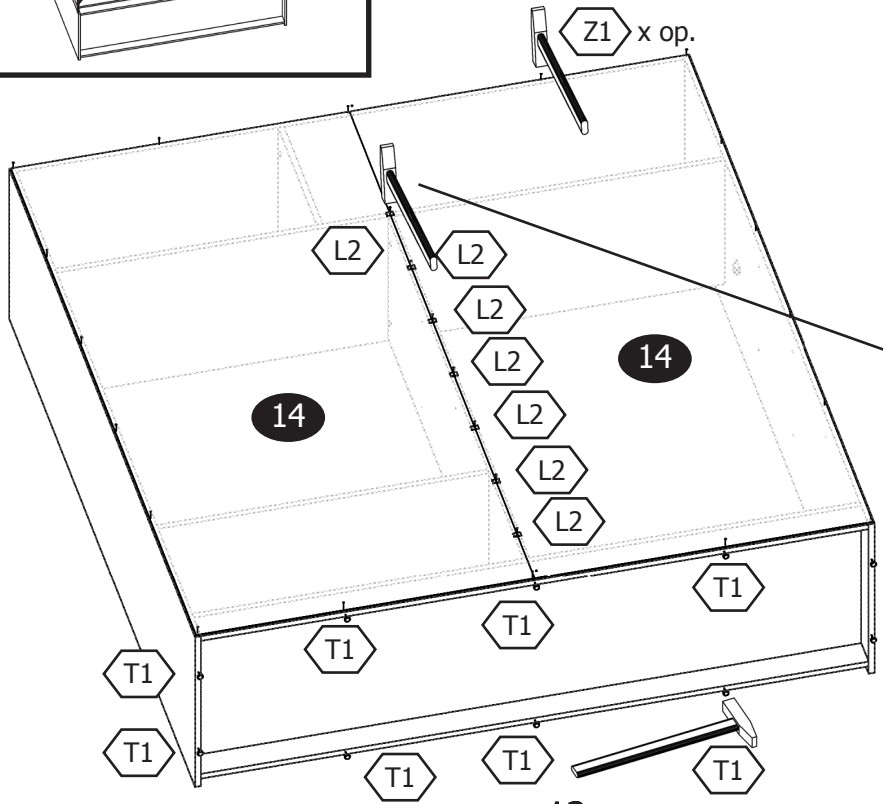
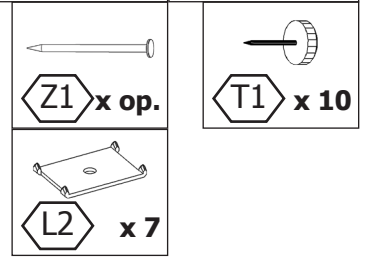
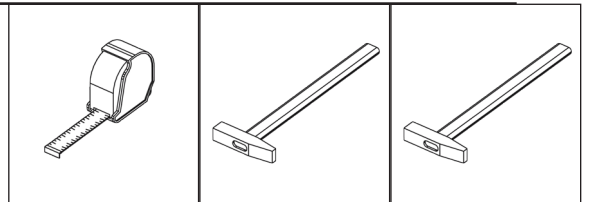
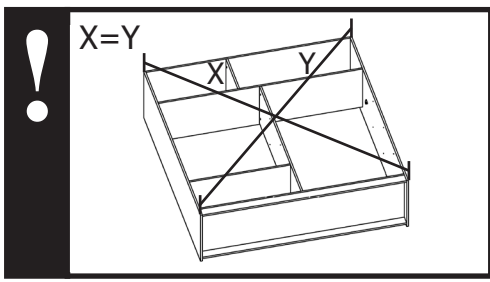




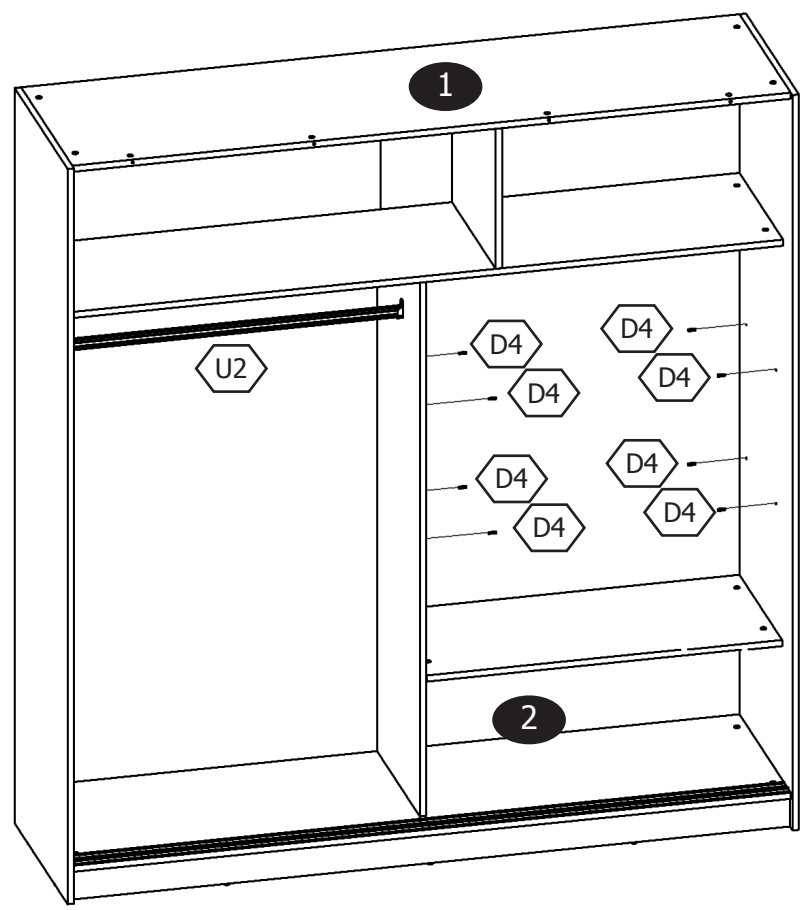
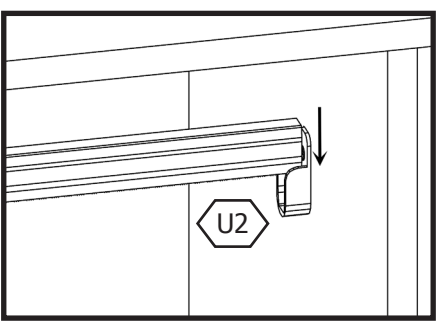
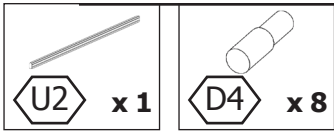




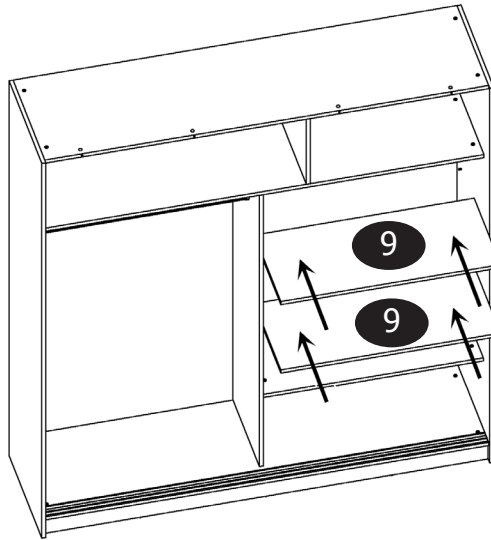
11



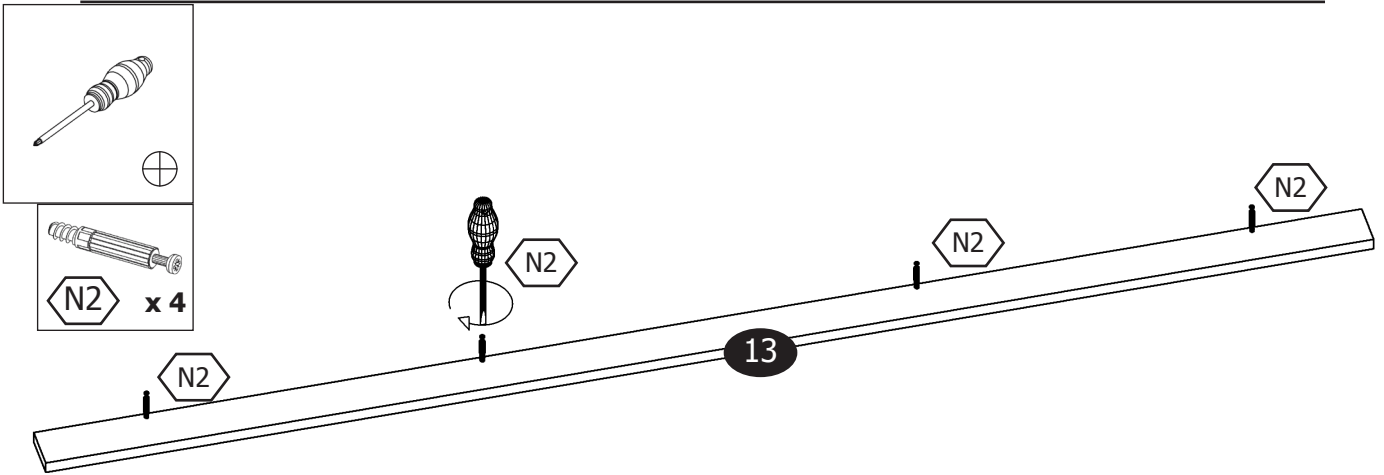
12



13



14



15

