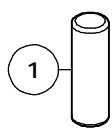
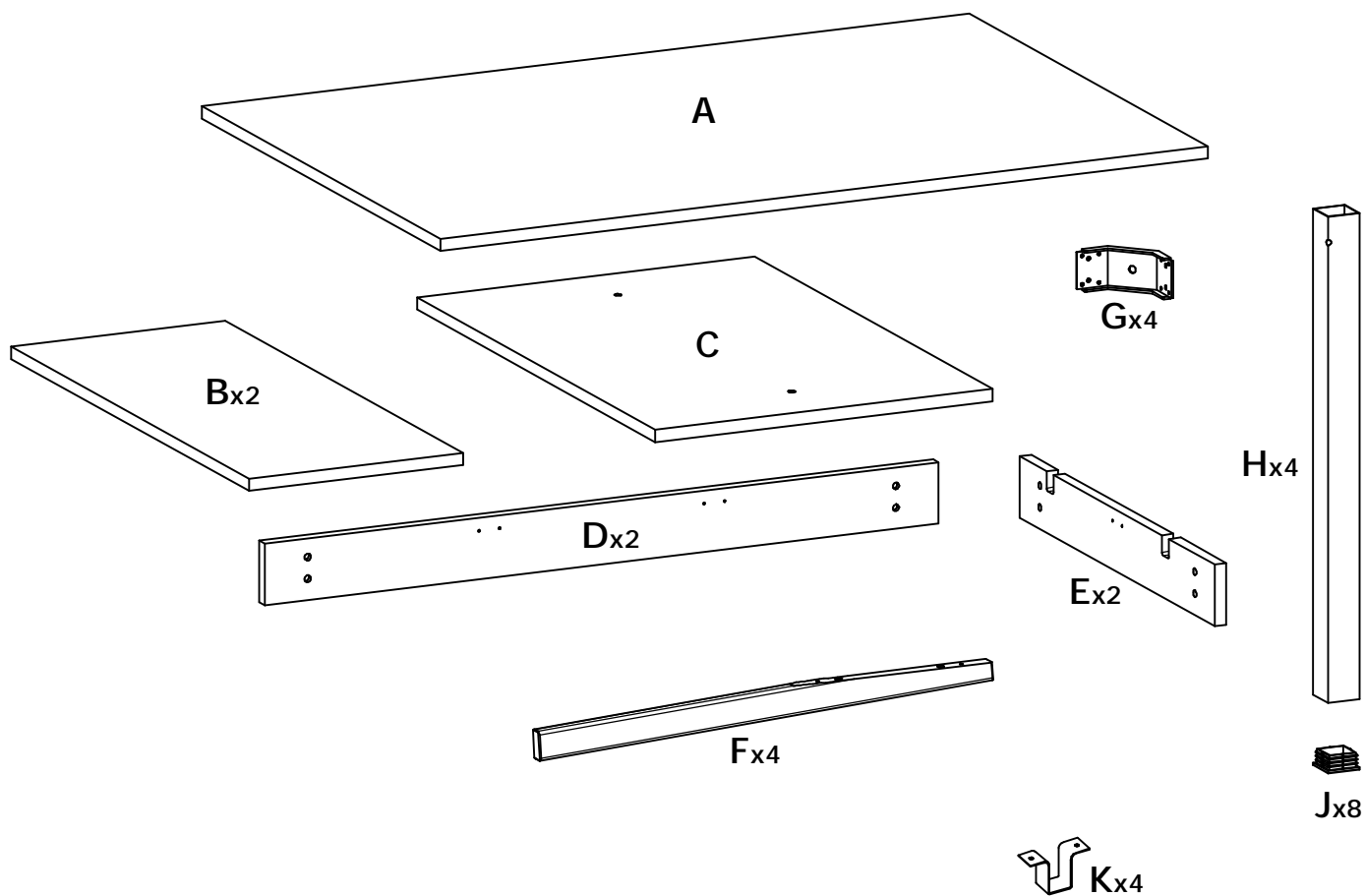
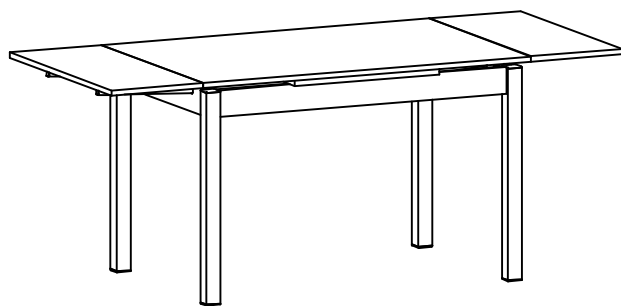


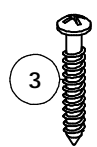
Nr. 3251



x12



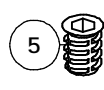
x48



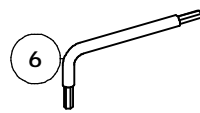
x8



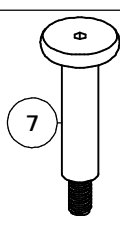
x4



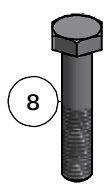
x2



x1



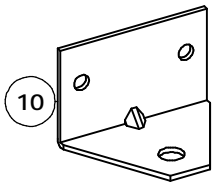
x2



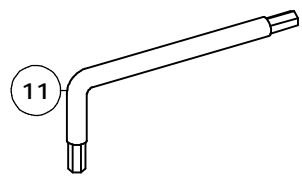
x4



x4

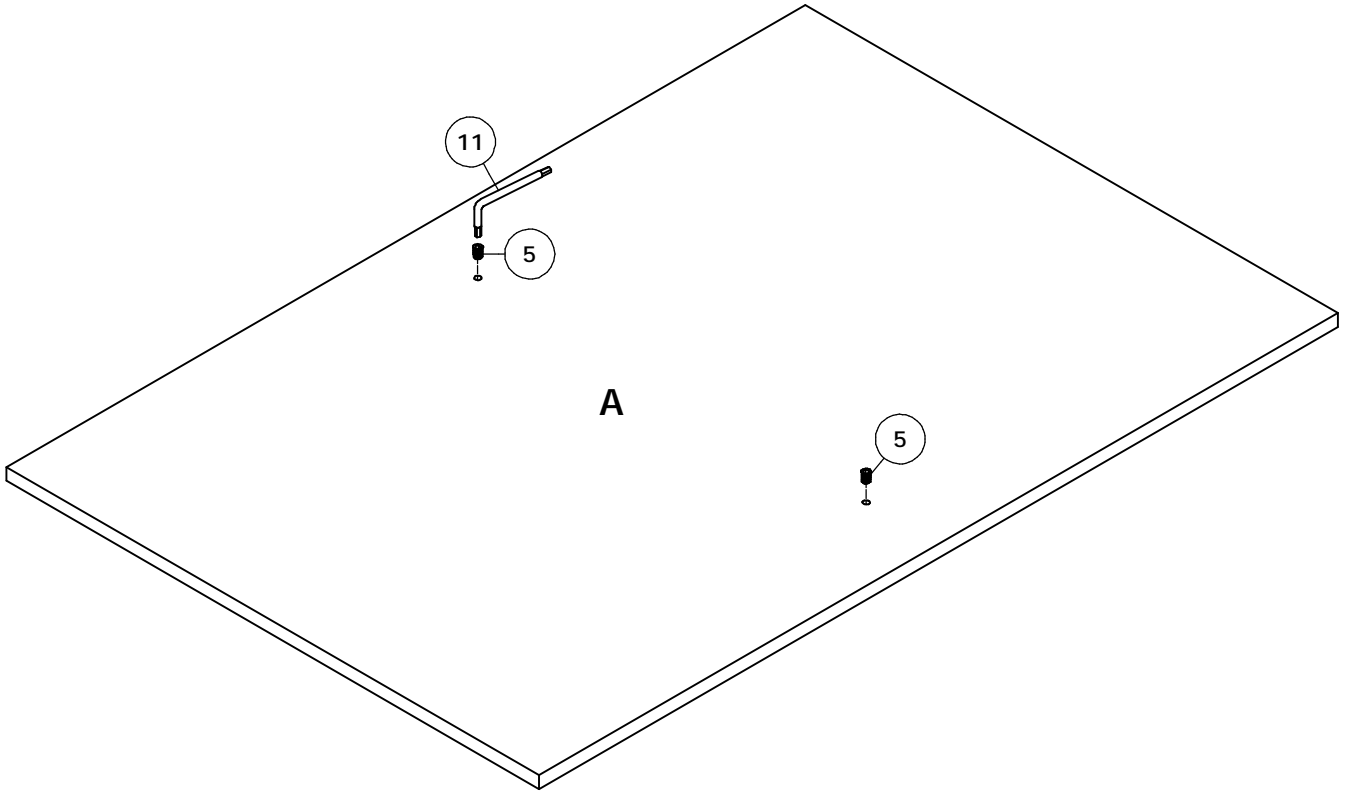


x4

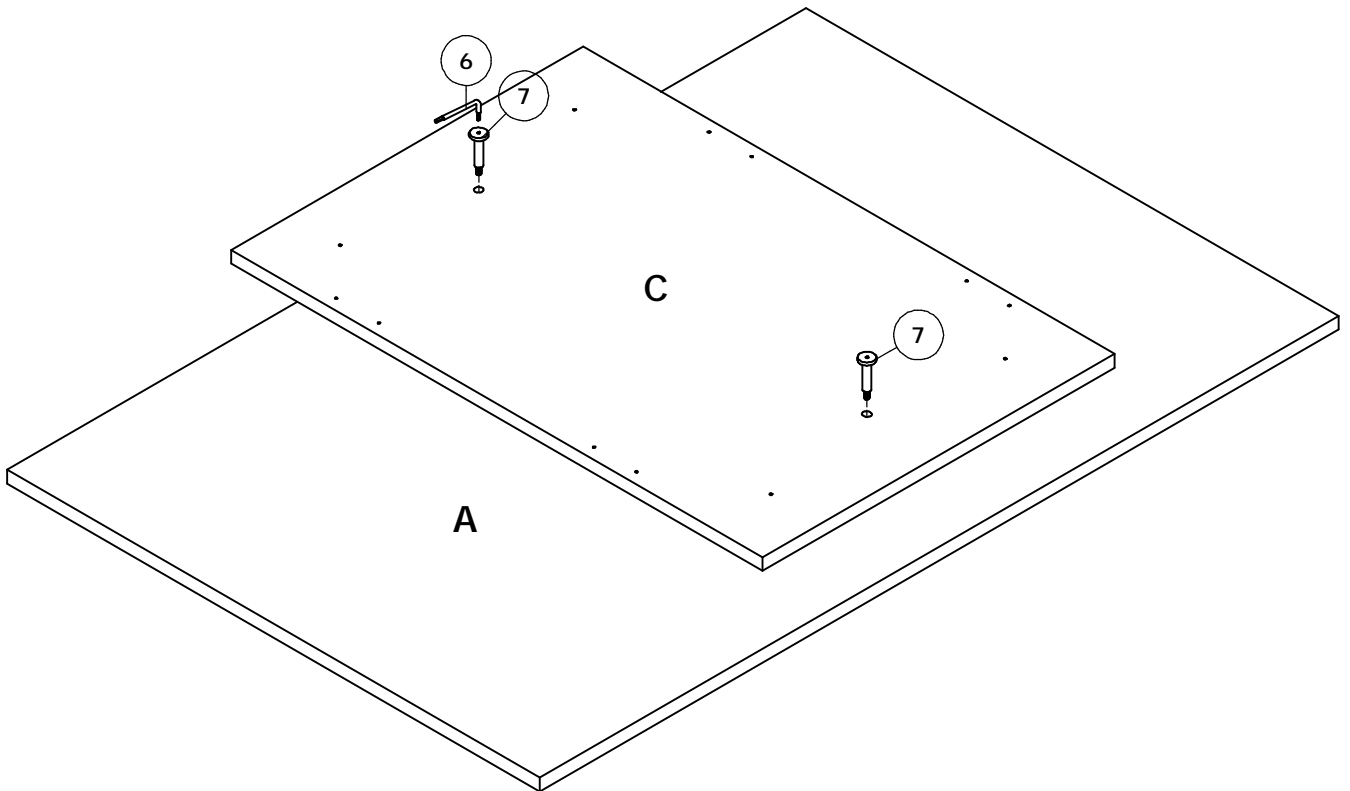


x1

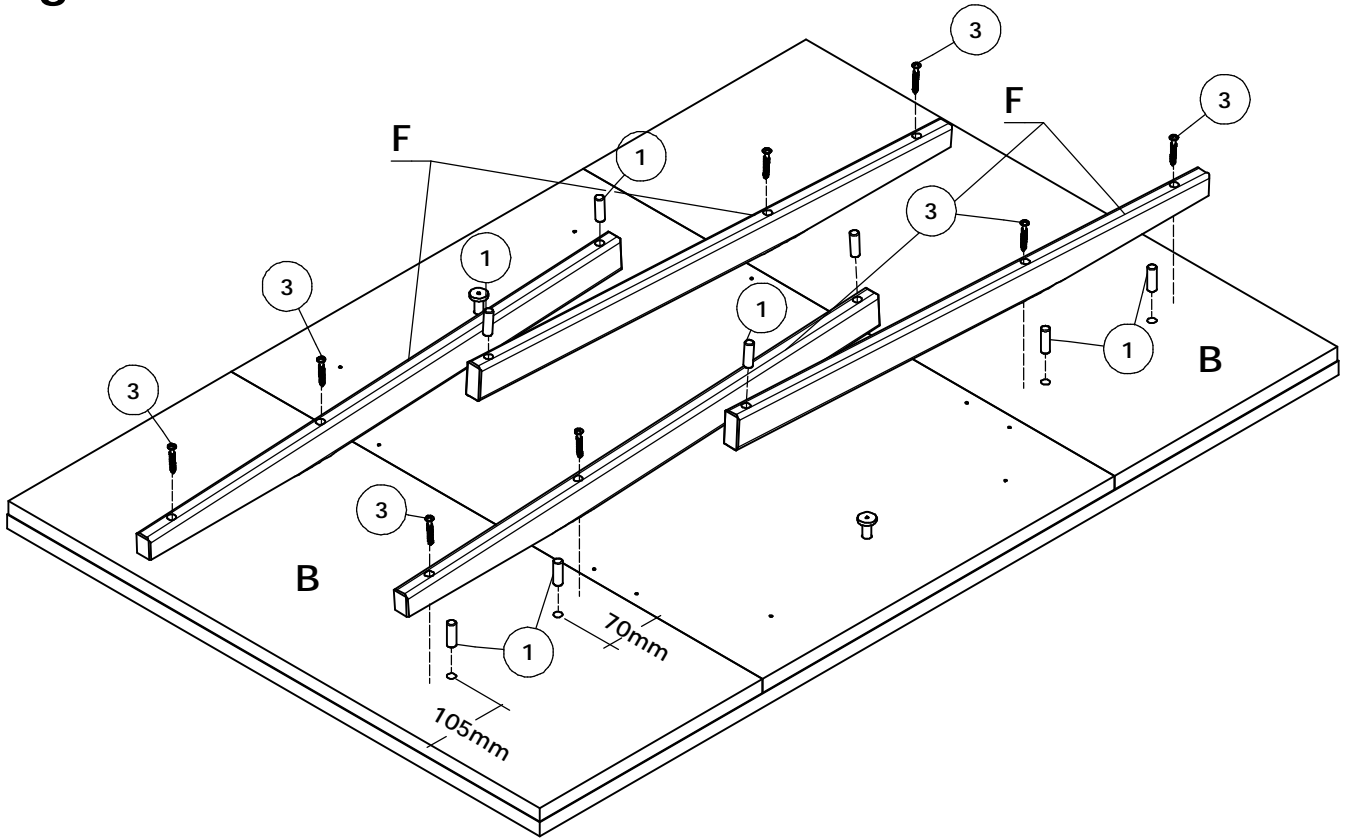
1



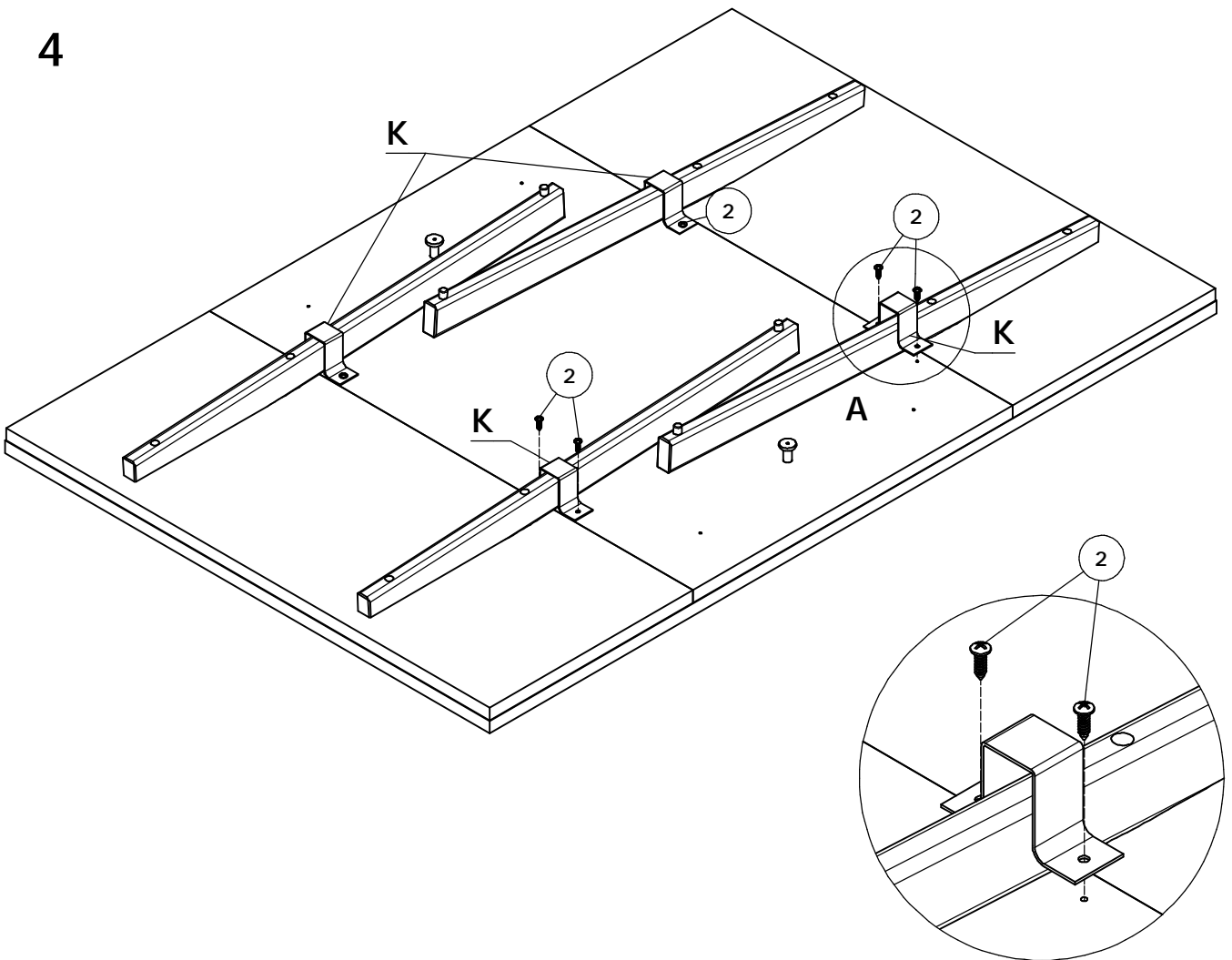
2



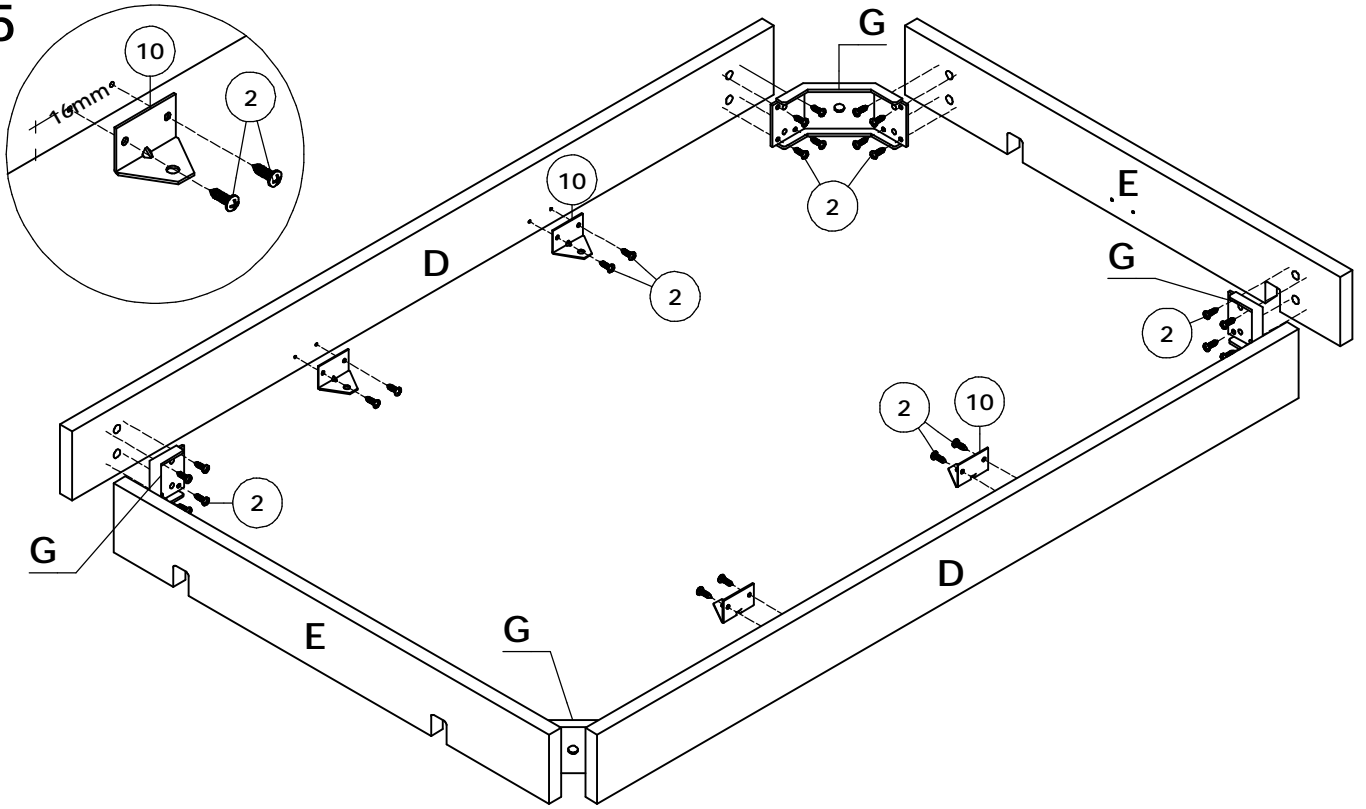
3



4



5



6

