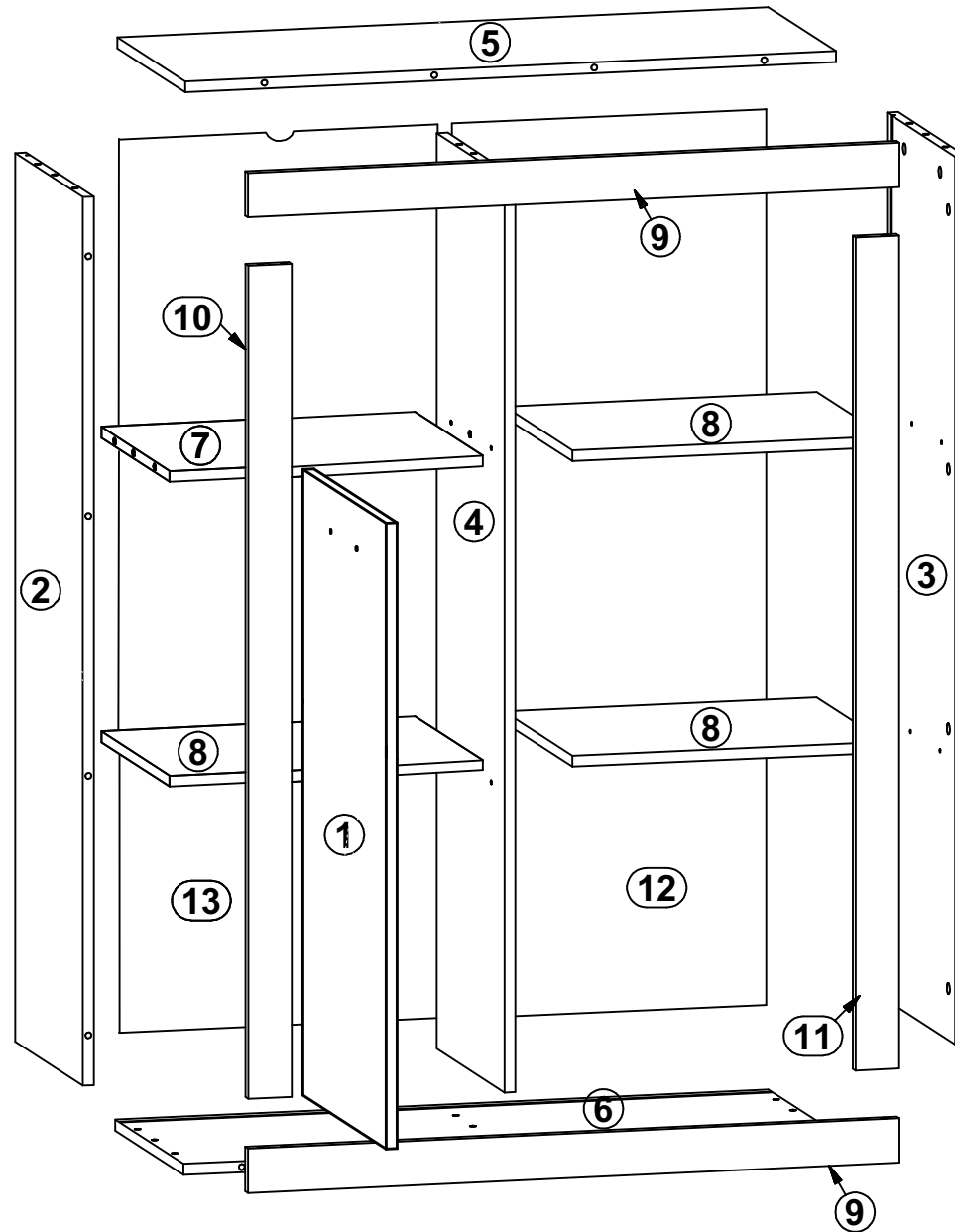
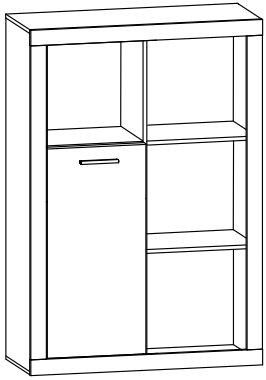
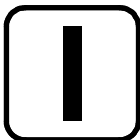


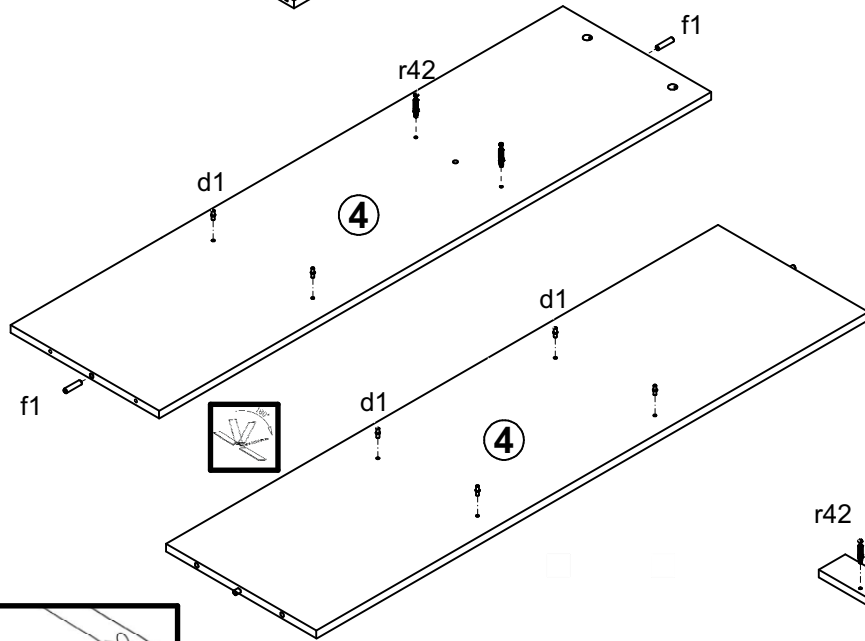
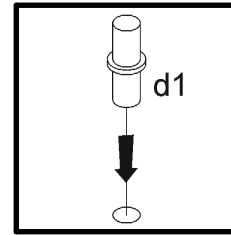
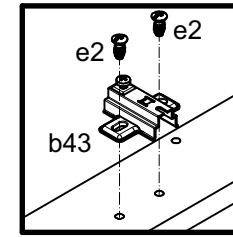
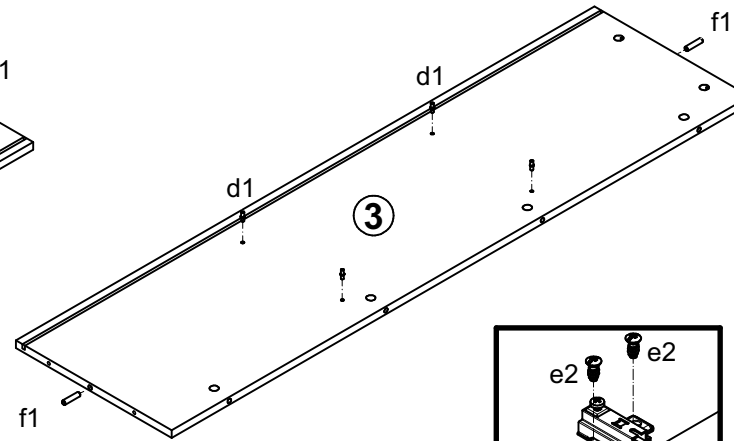
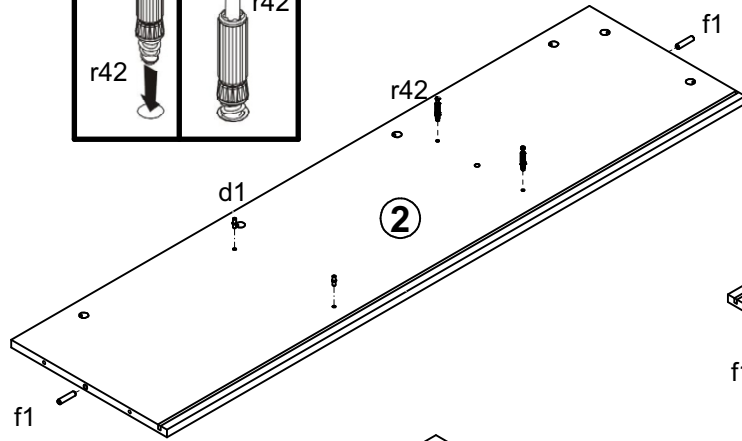
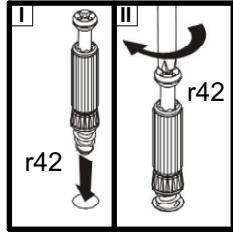
cm 0 1 2 3 4 5 6 7 8 9 10												2x o43/1		1x o43/6	
8x	2x	2x D5	8x	5x L=96/128 mm	16x ø5x17 mm	8x ø 5x17 mm	28x ø 7x50 mm	22x ø 6.3x13 mm	4x ø6.3x13 mm	4x ø5x11 mm	32x ø8x30 mm	20x ø8x50 mm			
6x ø10x50 mm	2x	11x ø48/10mm	12x	52x	2x L-236	23x 20x13x3.5/1mm	2x	2x	6x ø3.5x13 mm	8x ø4x30 mm	4x ø4x30 mm	2x ø4x12 mm			
20x ø3.5x15 mm	23x ø2.9x16 mm	4x ø6x60 mm	85x ø15x12mm #16	85x 20/11	4x	26x ø16	2x	1x	2x 81x21x15/1.5mm	2x ø5x60 mm	4x ø3.5x16 mm				



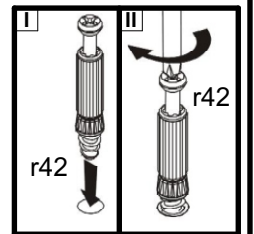
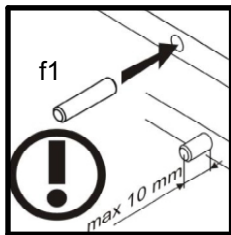
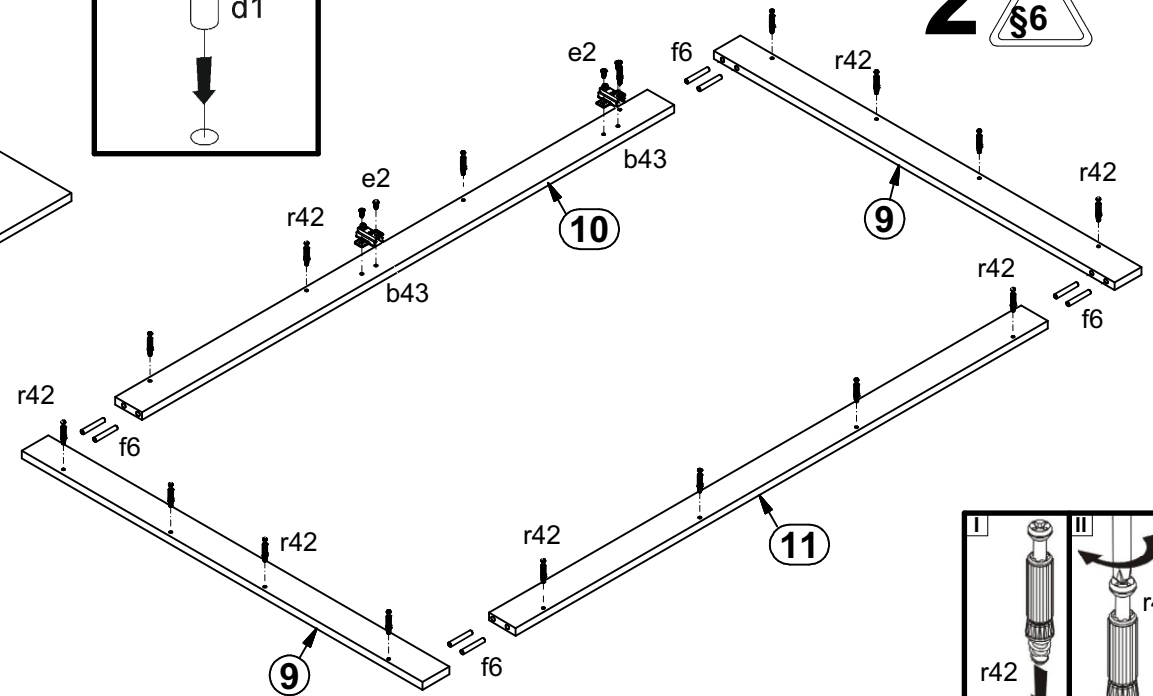
A	B	C (mm)		D
1	N17-003	740	335	3/4
2	N17-105	1160	320	3/4
3	N17-106	1160	320	3/4
4	N17-107	1160	300	3/4
5	N17-203	799	320	3/4
6	N17-204	799	320	3/4
7	N17-303	375	300	3/4
8	N17-304	375	300	3/4
9	N17-504	800	60	3/4
10	N17-505	1073	60	3/4
11	N17-506	1073	60	3/4
12	N17-902	1186	387	3/4
13	N17-903	1186	387	3/4



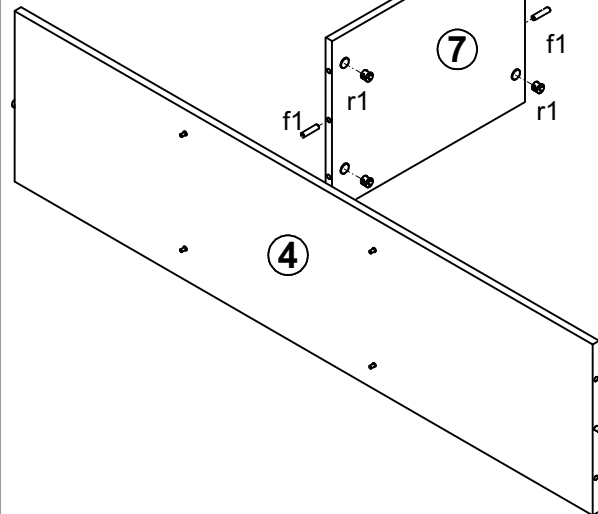
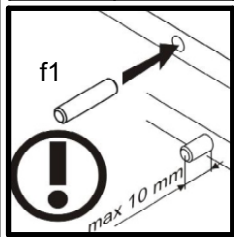
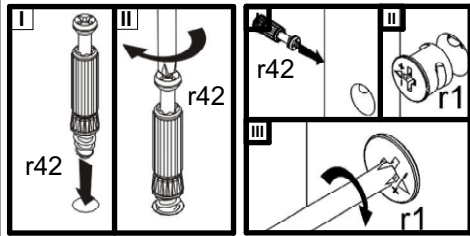
1 



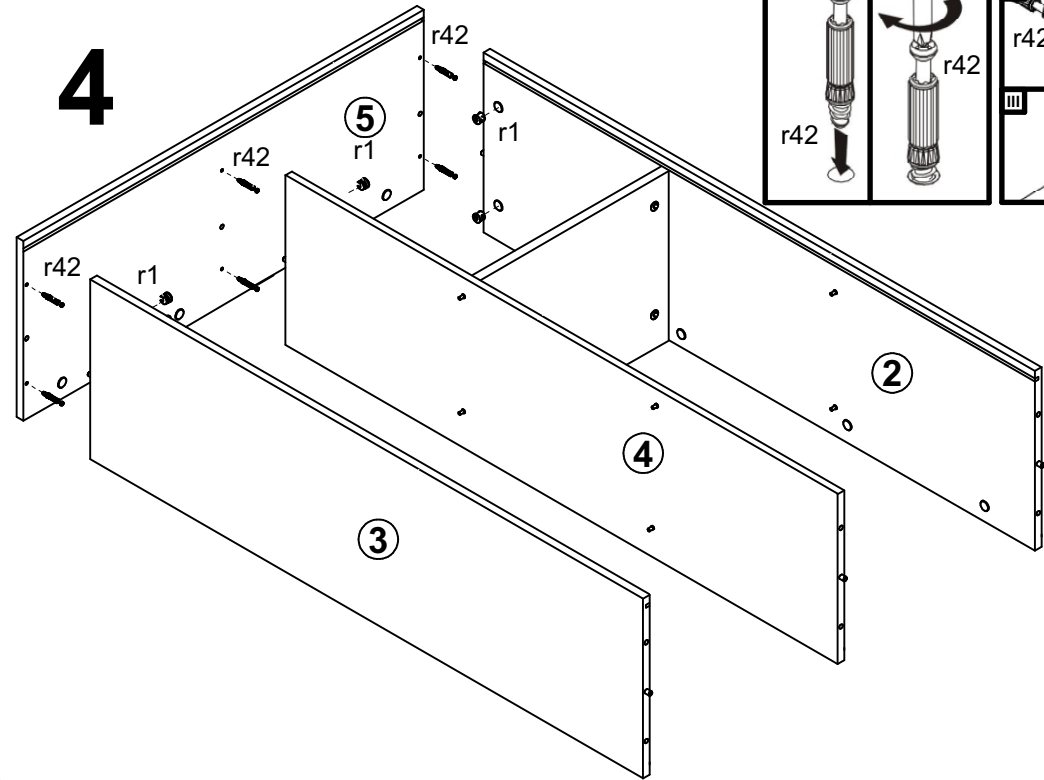
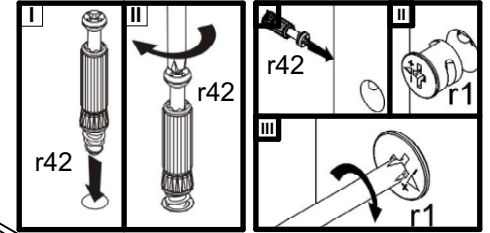
2 

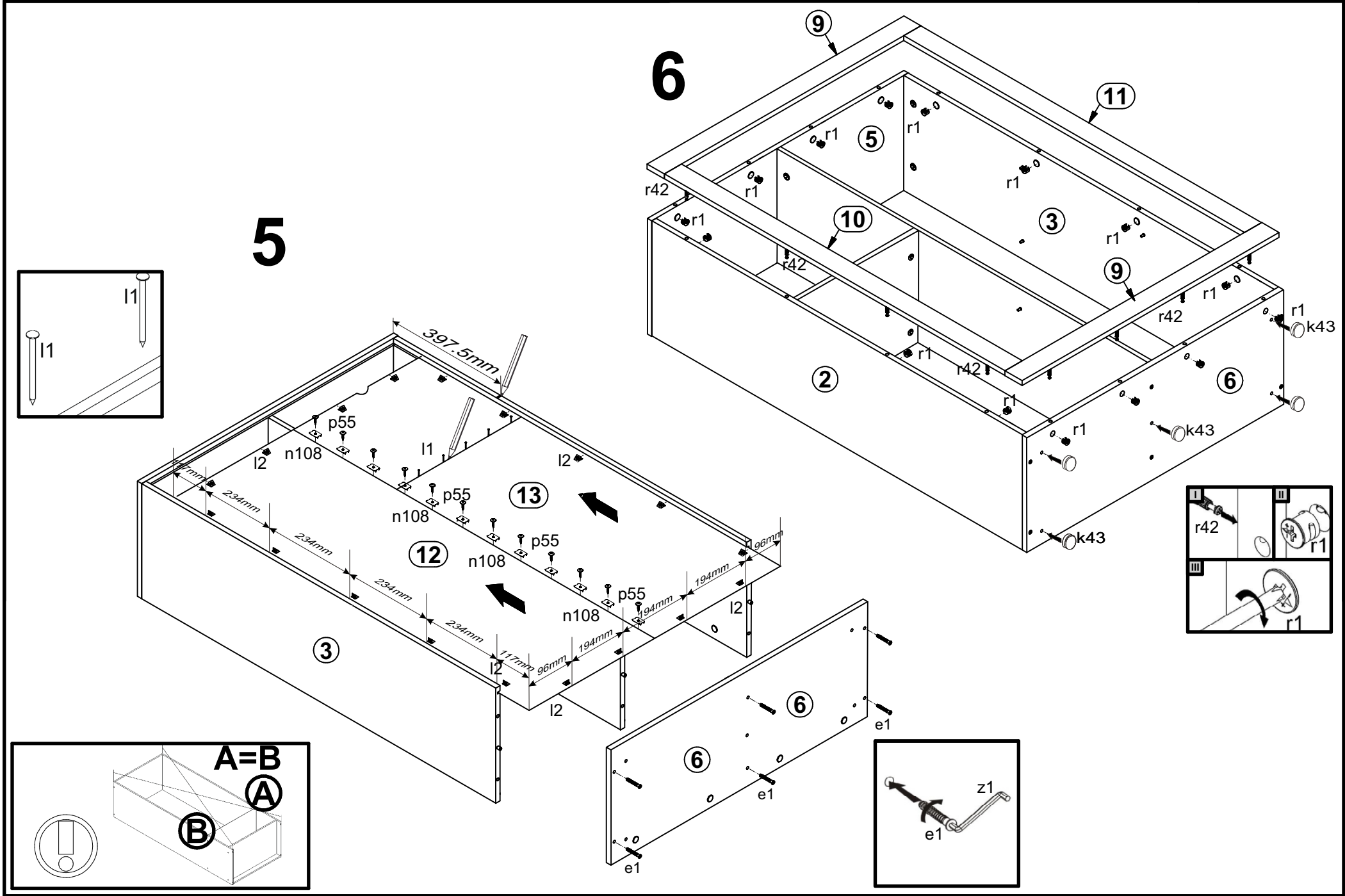


3

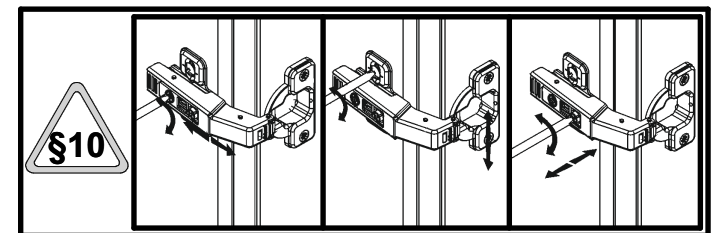
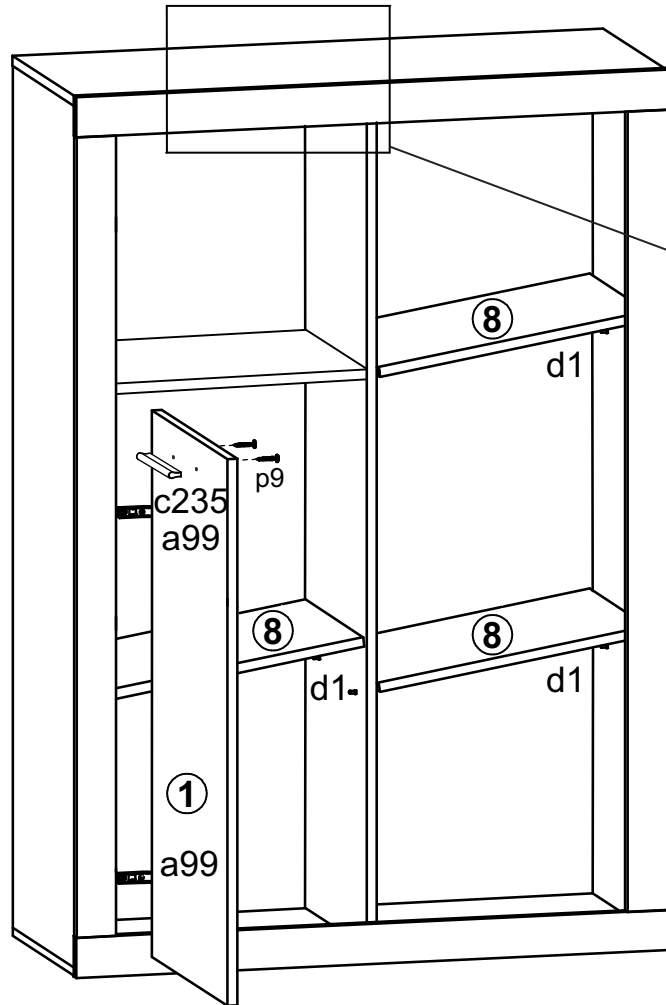
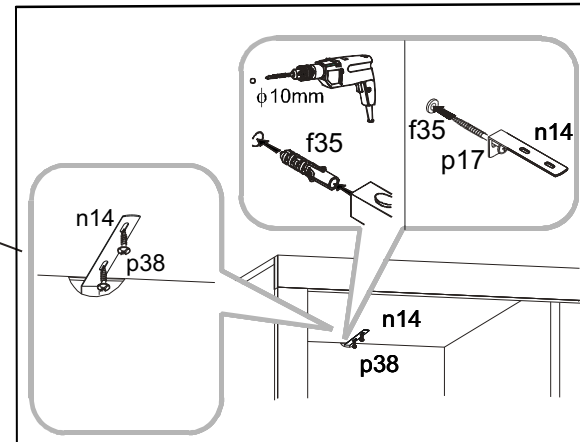
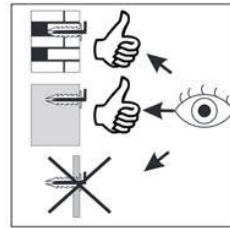
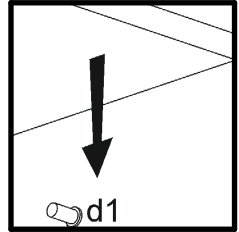
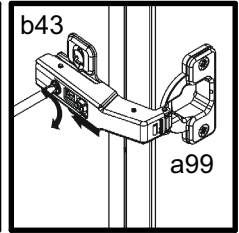
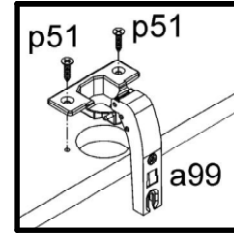


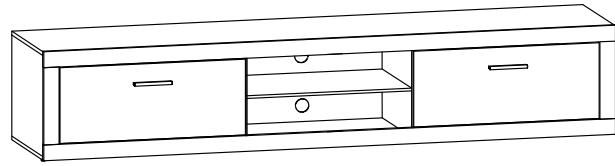
4



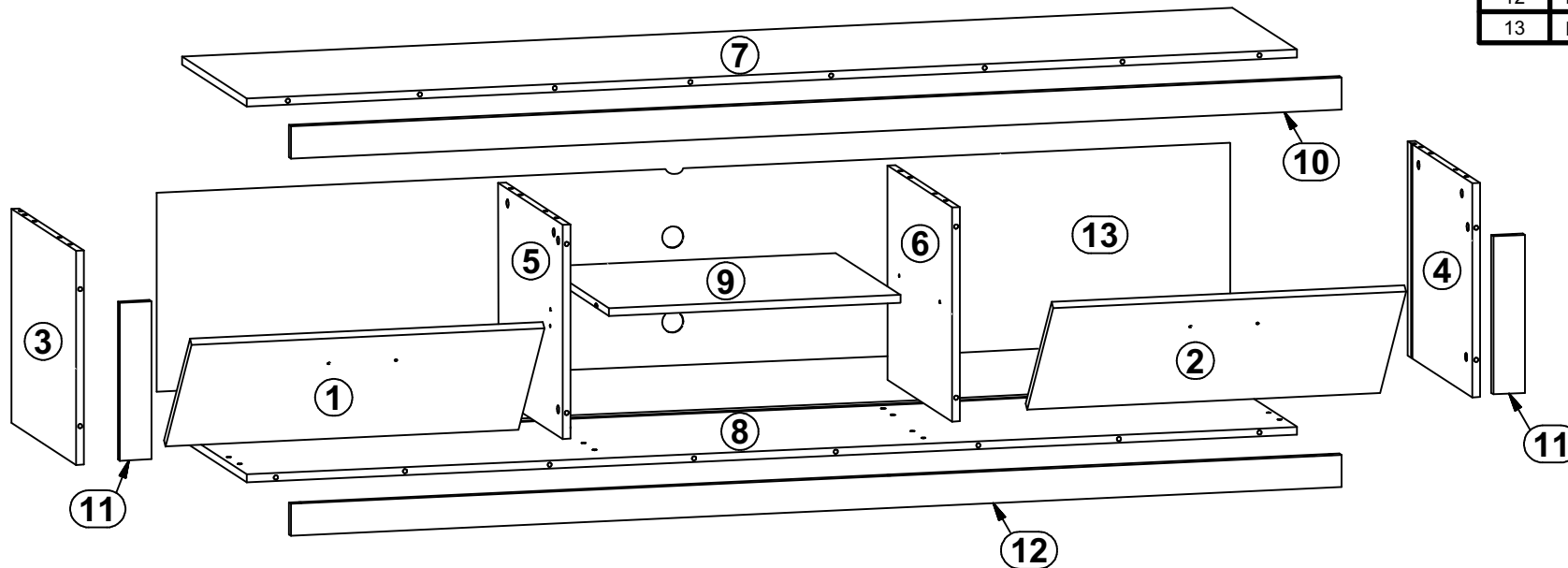


7

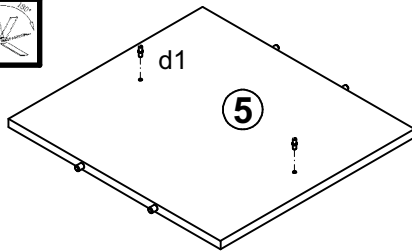
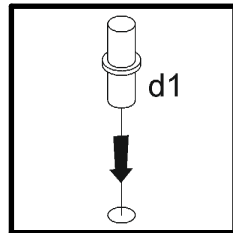
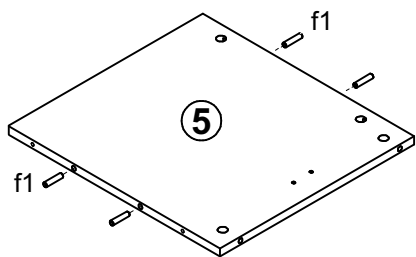
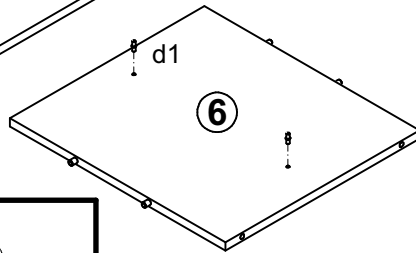
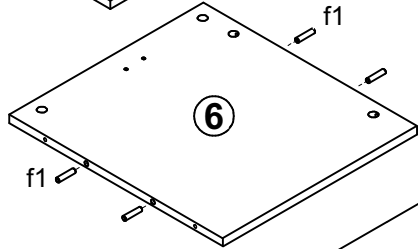
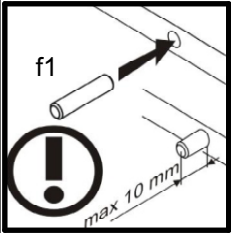
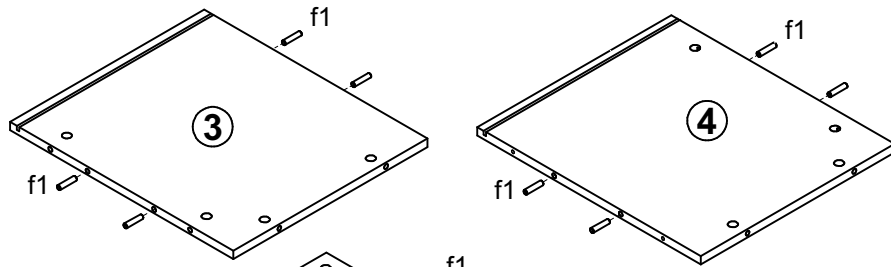




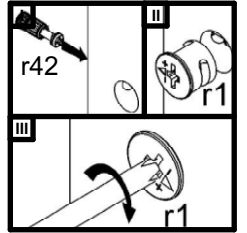
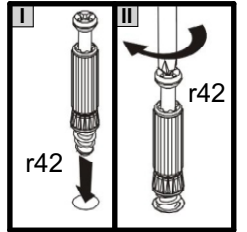
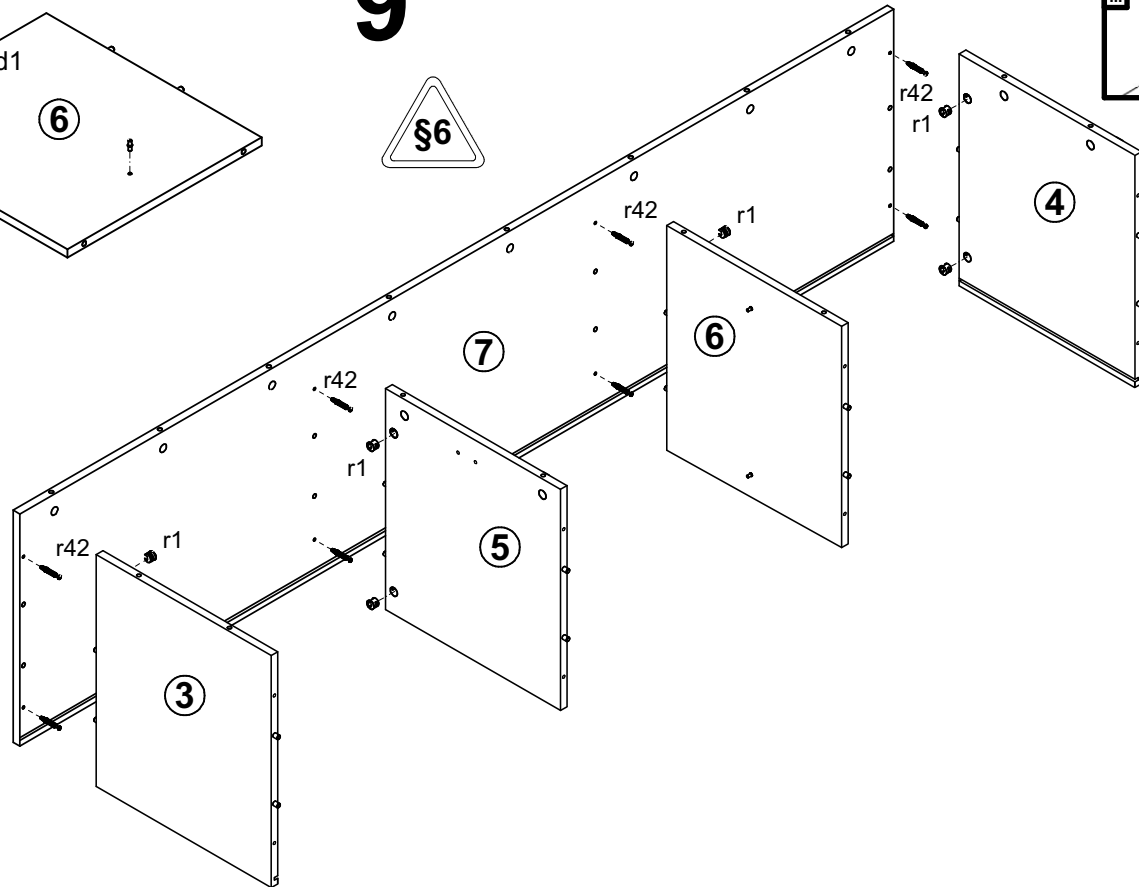
A	B	C (mm)		D
1	N17-001	600	267	1/4
2	N17-002	600	267	1/4
3	N17-101	360	380	2/4
4	N17-102	360	380	2/4
5	N17-103	360	360	2/4
6	N17-104	360	360	2/4
7	N17-201	1899	380	1/4
8	N17-202	1899	380	1/4
9	N17-302	558	360	1/4
10	N17-501	1900	60	1/4
11	N17-502	273	60	1/4
12	N17-503	1900	60	1/4
13	N17-901	1892	370	1/4



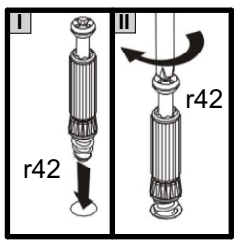
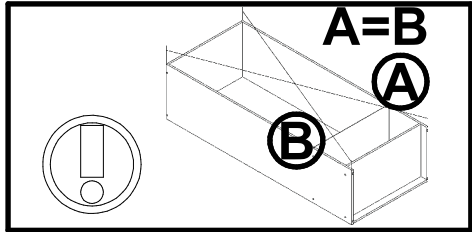
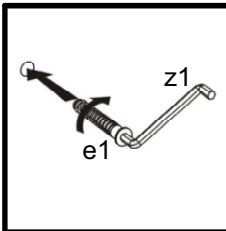
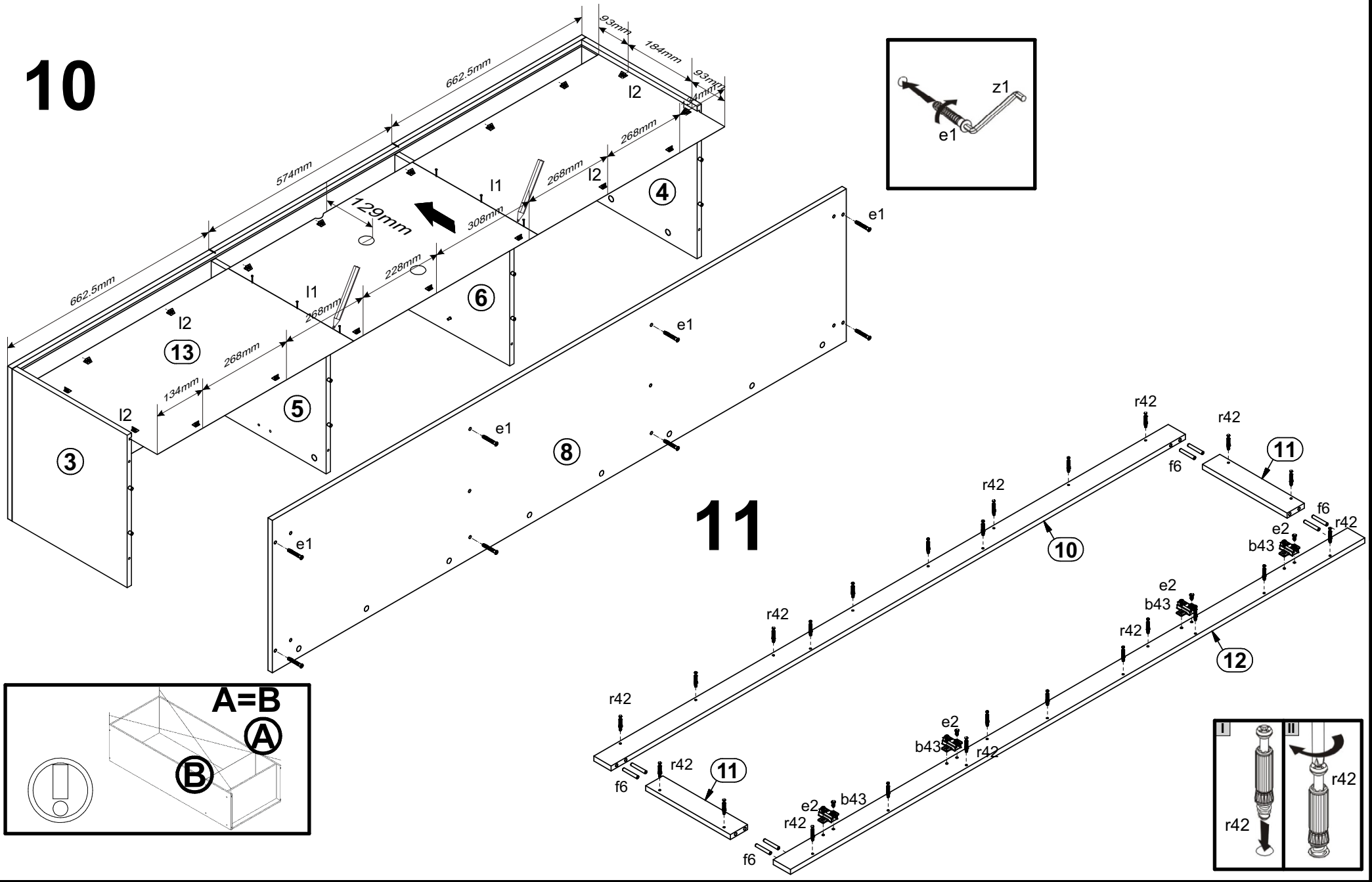
8



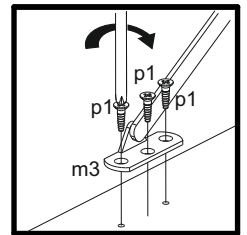
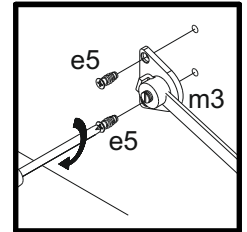
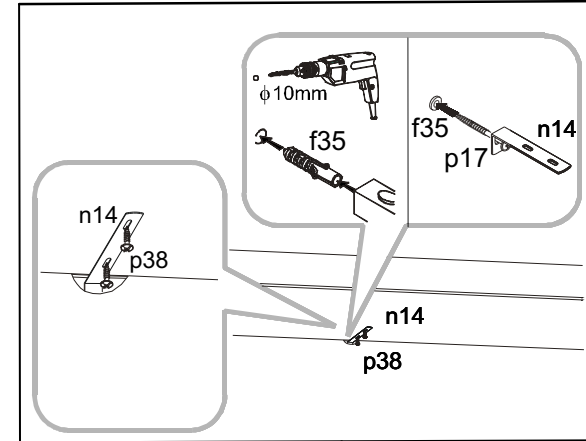
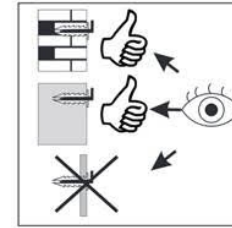
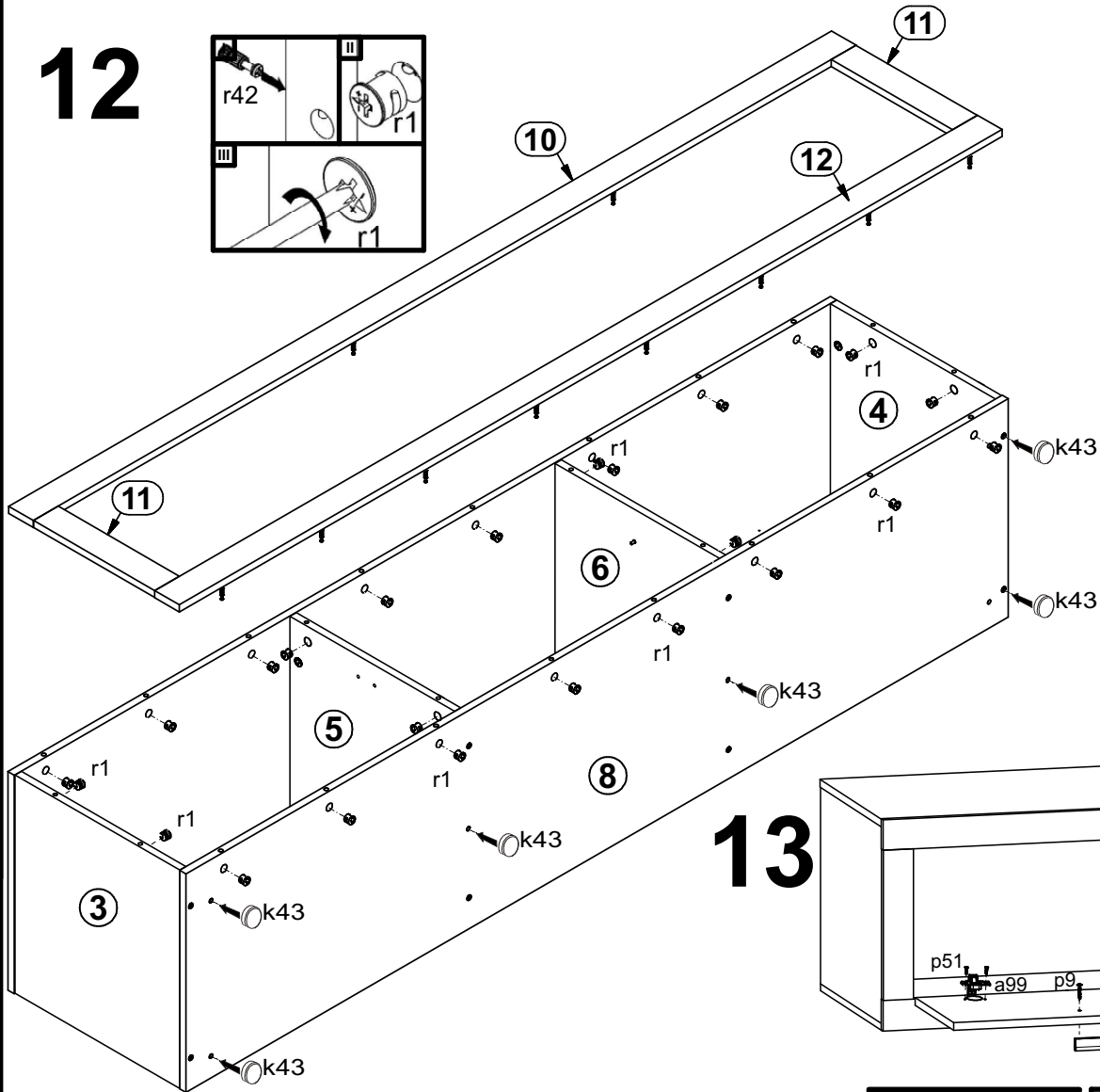
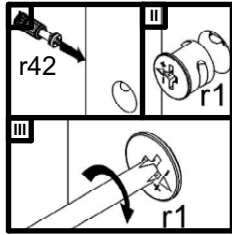
9



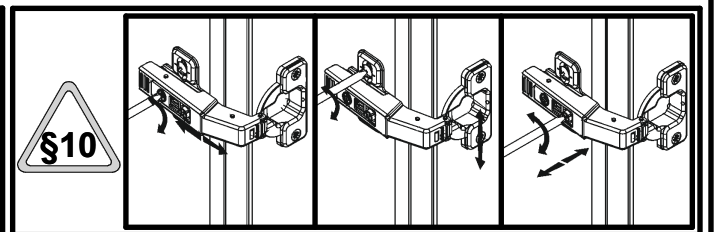
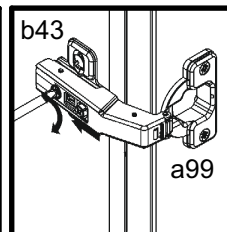
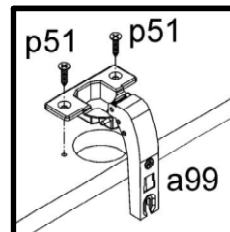
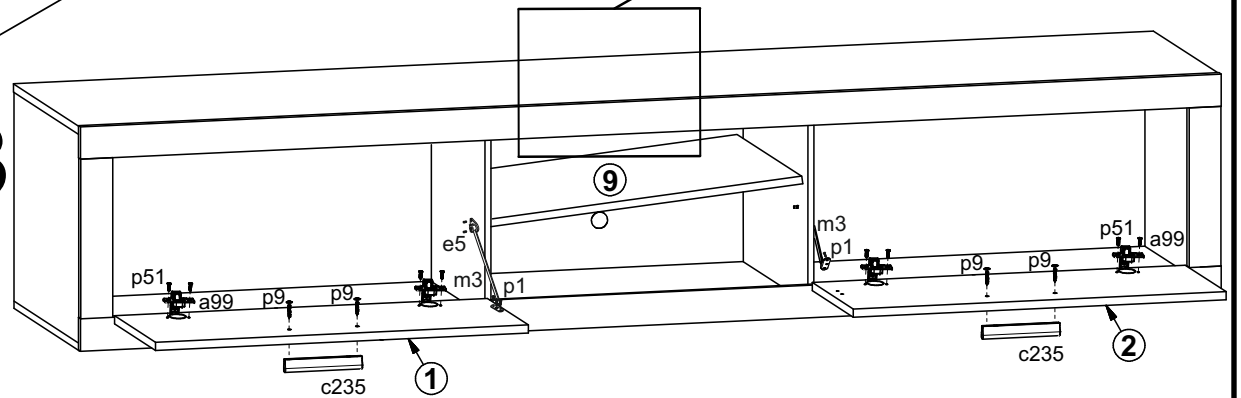
10

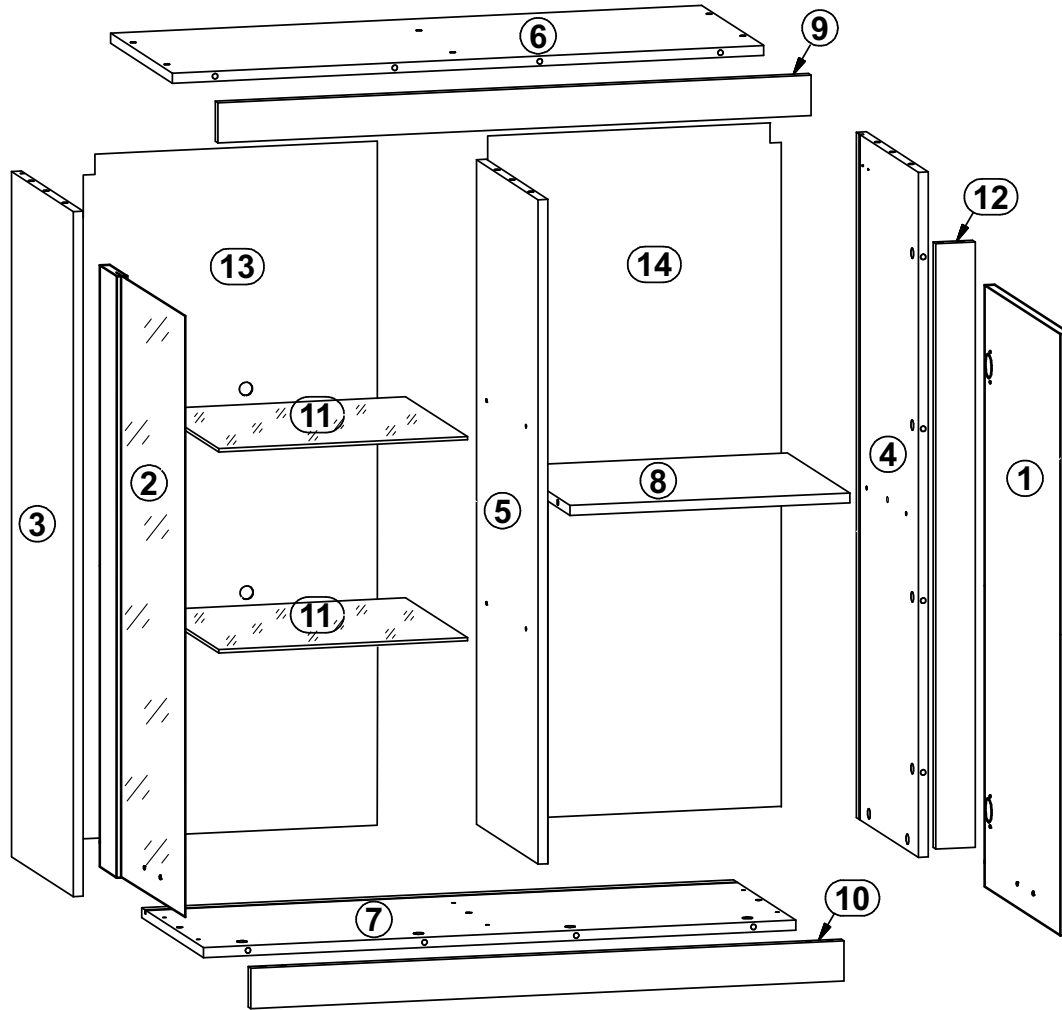
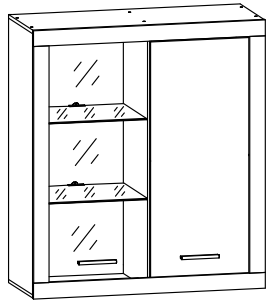


12

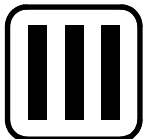


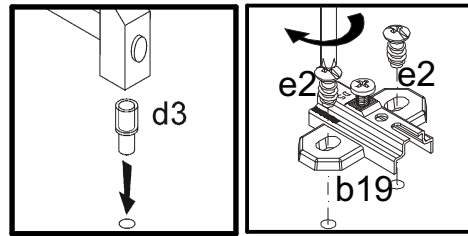
13



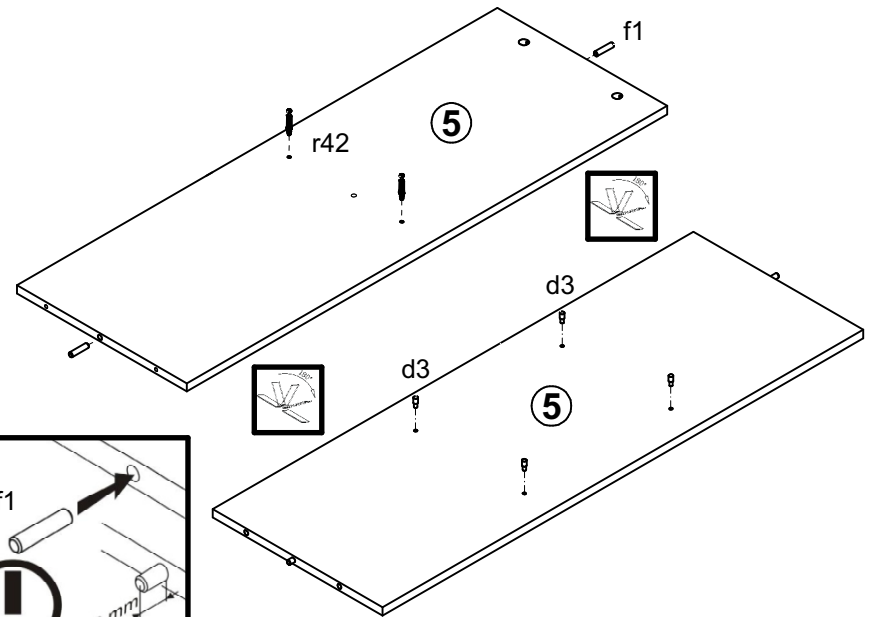
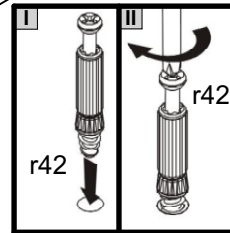
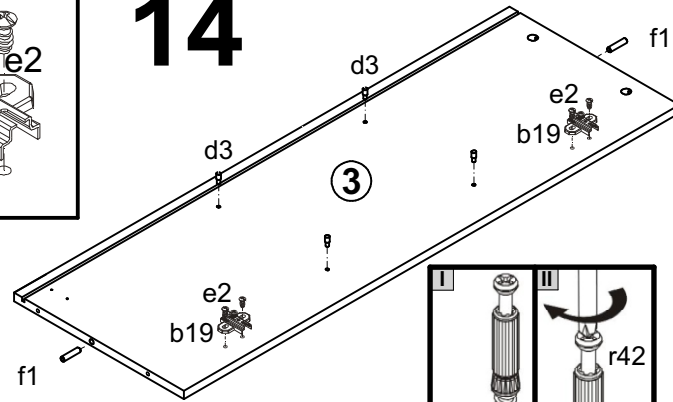


A	B	C (mm)		D
1	N17-004	875	335	4/4
2	N17-005	875	335	4/4
3	N17-108	968	284	4/4
4	N17-109	968	284	4/4
5	N17-110	968	264	4/4
6	N17-205	799	284	4/4
7	N17-206	799	284	4/4
8	N17-307	375	264	4/4
9	N17-511	800	60	4/4
10	N17-512	800	60	4/4
11	N17-514	375	256	4/4
12	N17-516	881	60	4/4
13	N17-904	978	387	4/4
14	N17-906	978	387	4/4

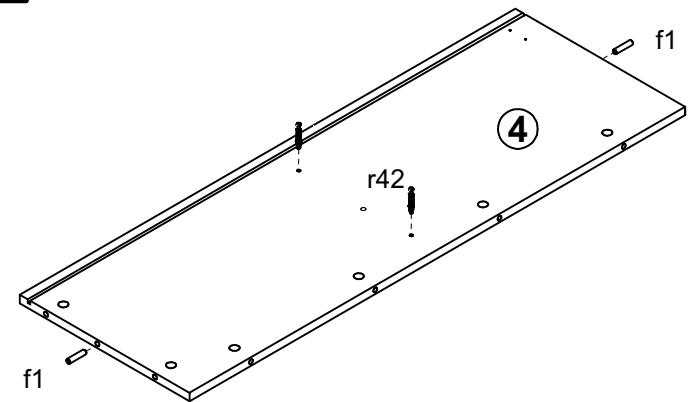
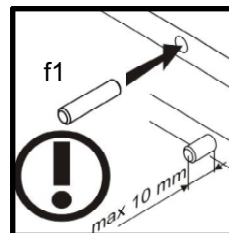
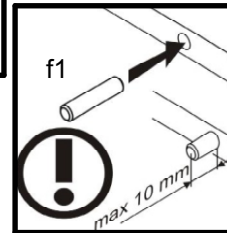
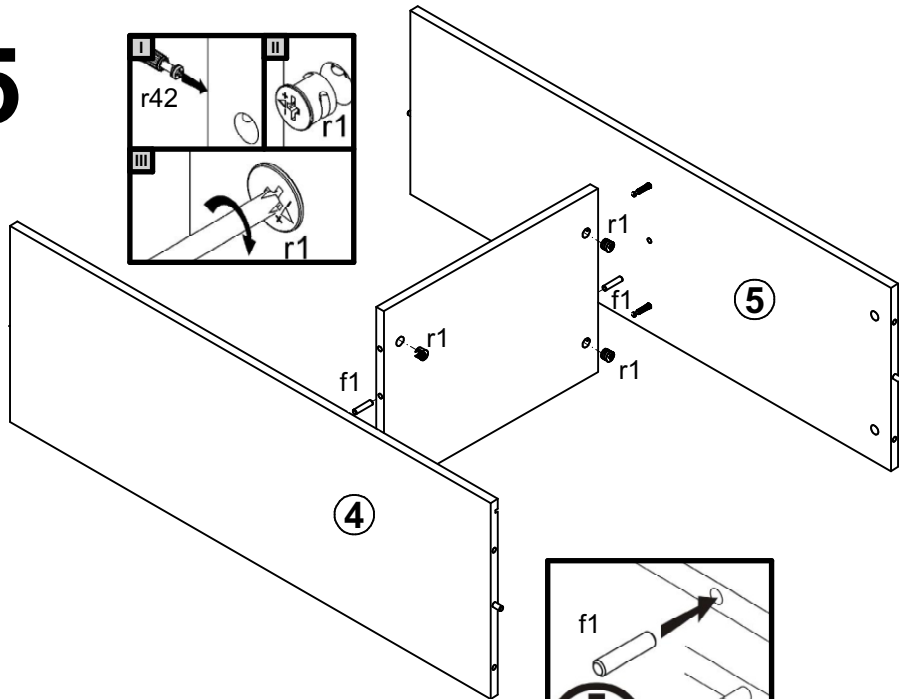
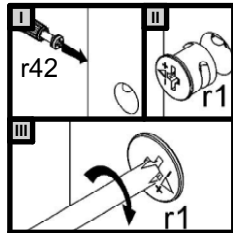




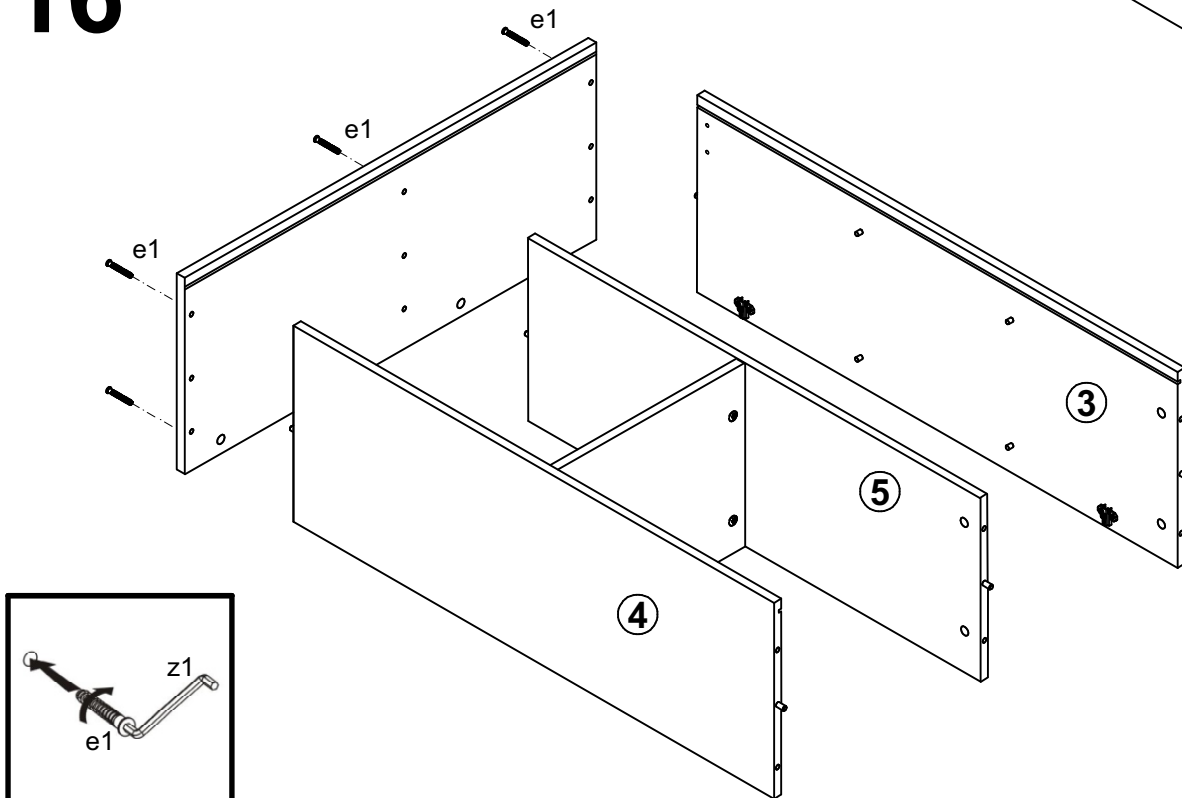
14



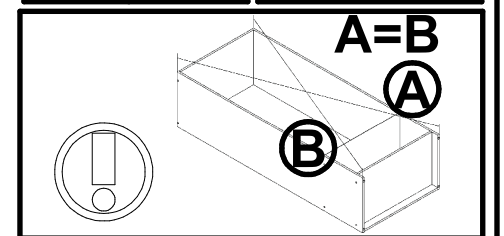
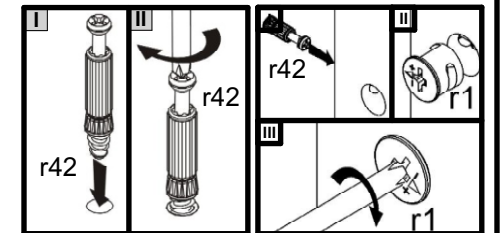
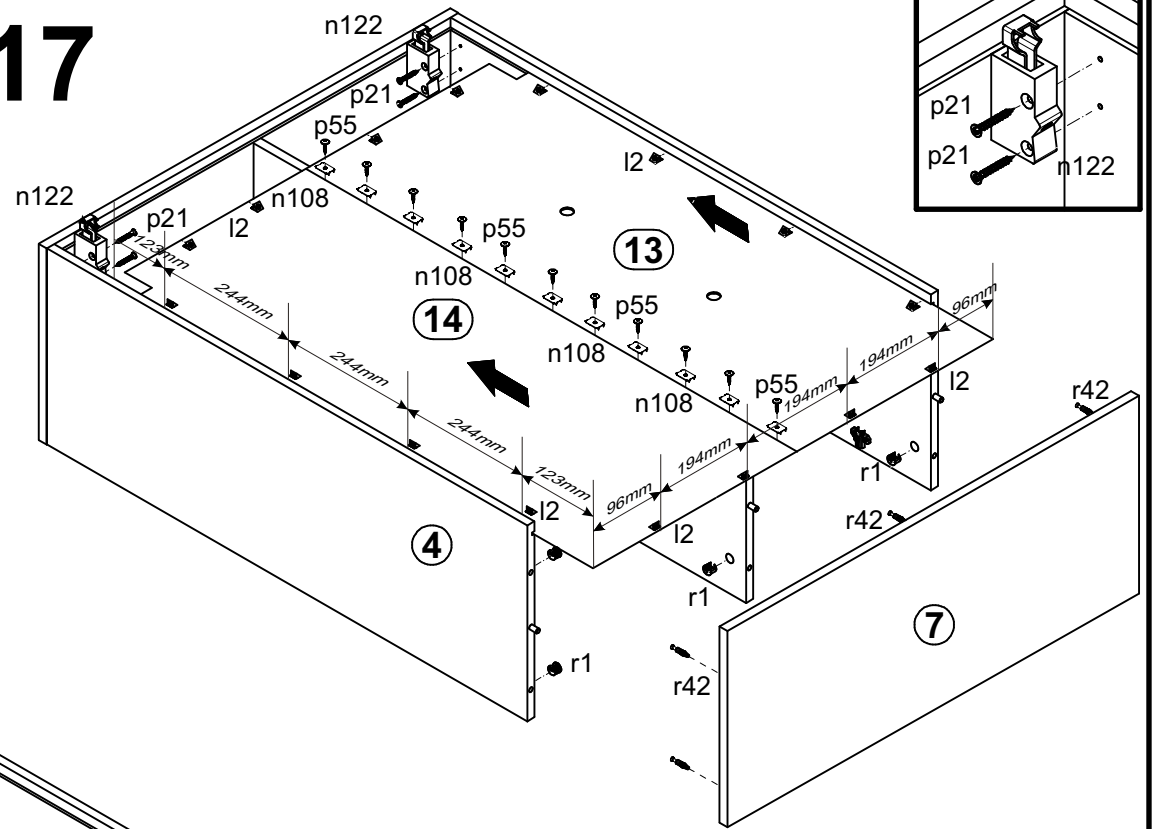
15

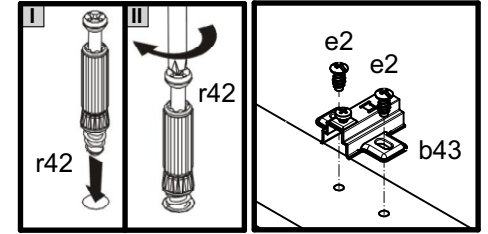


16

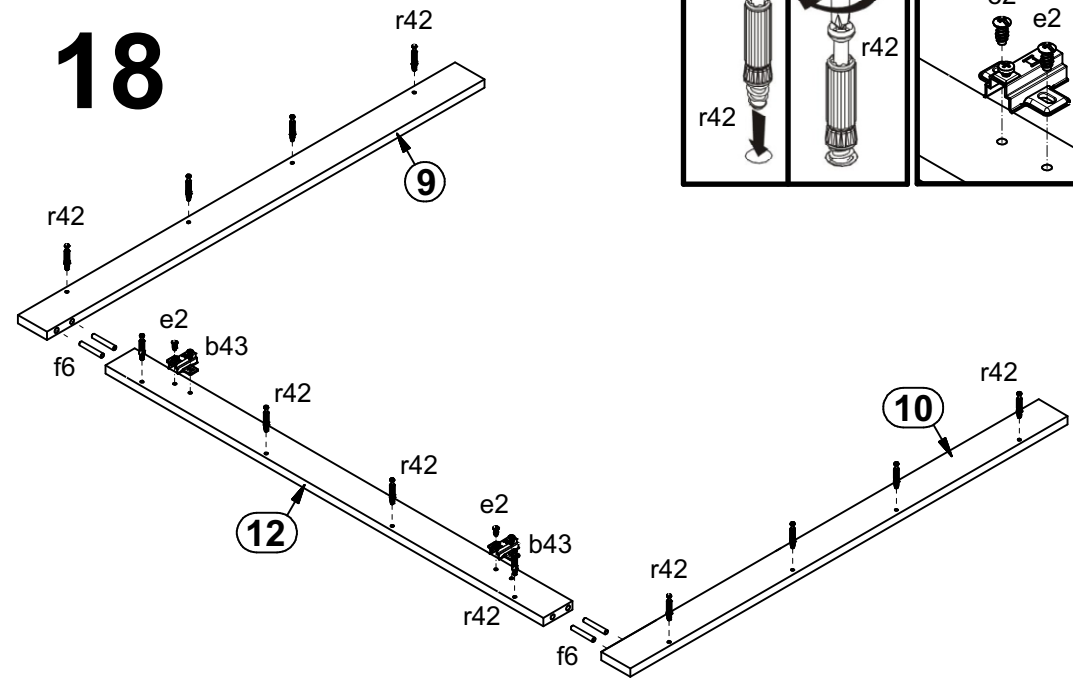


17

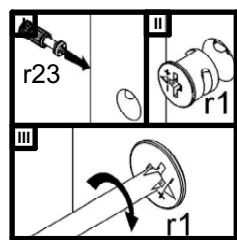
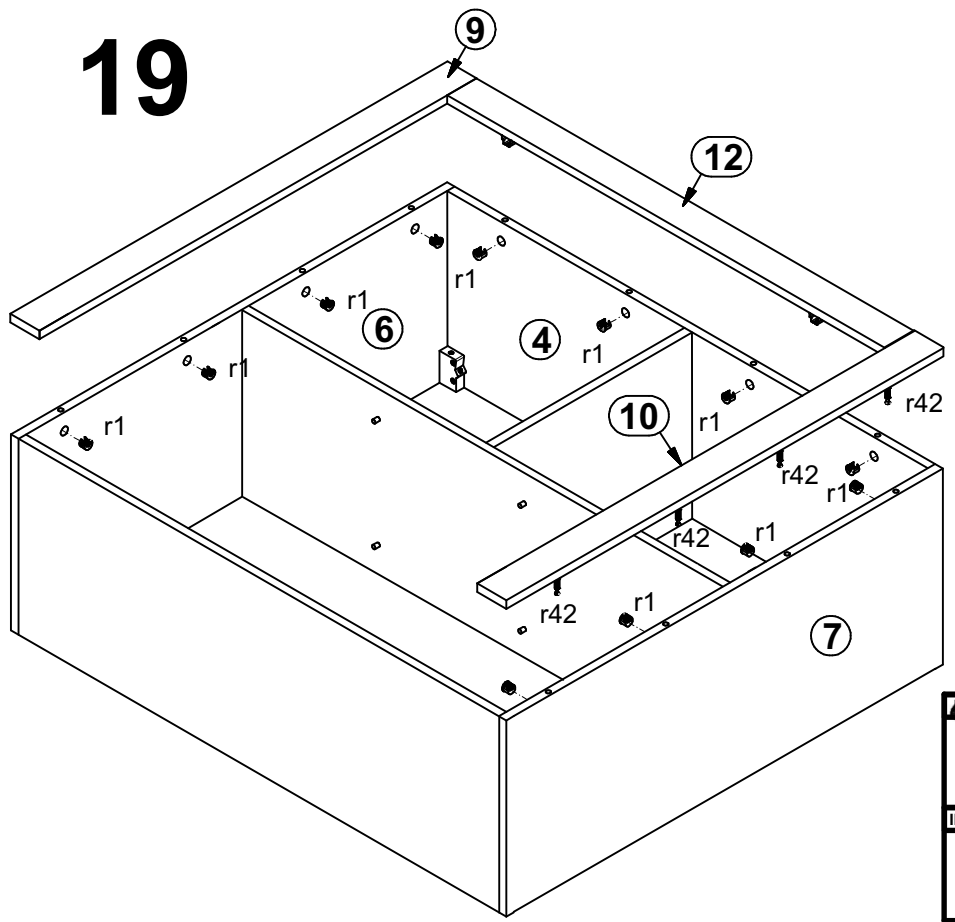




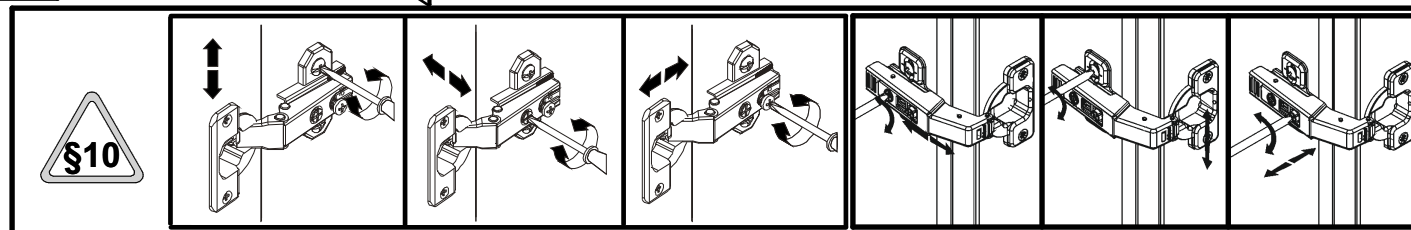
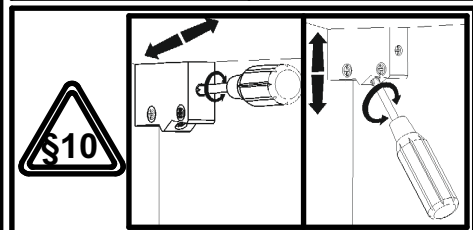
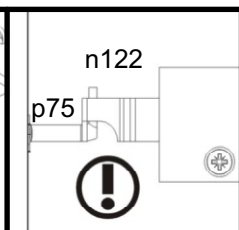
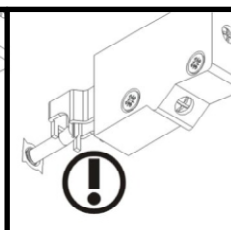
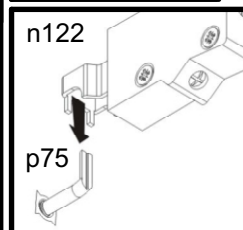
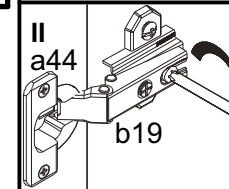
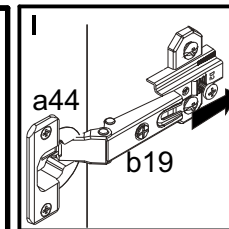
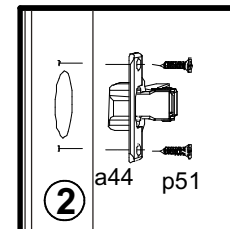
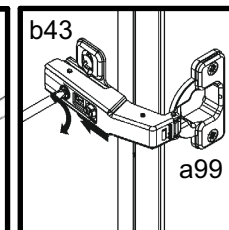
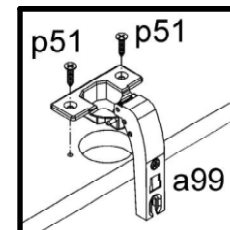
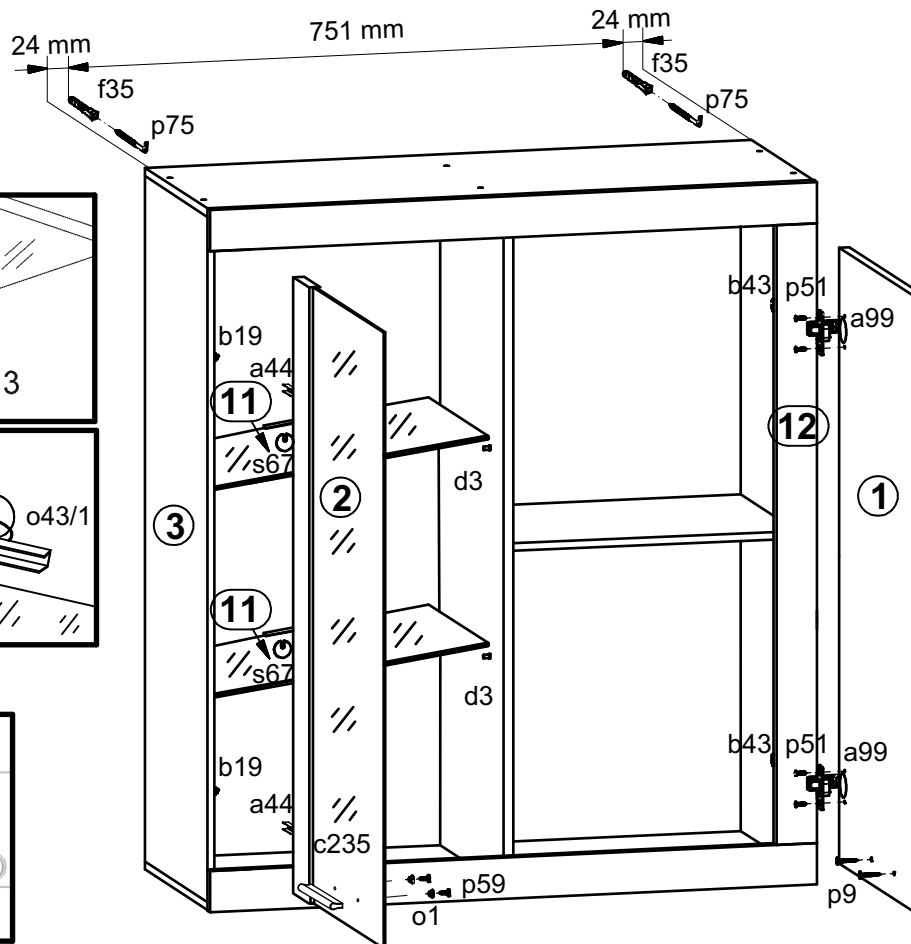
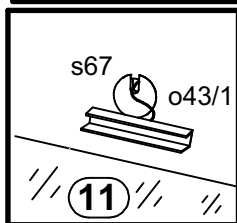
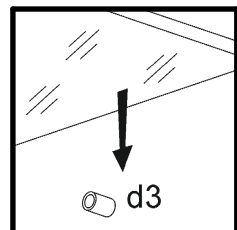
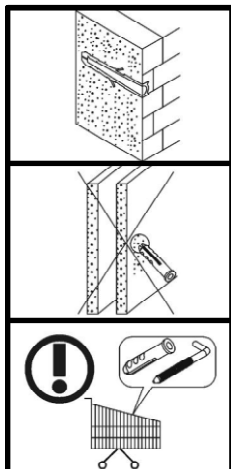
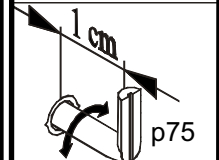
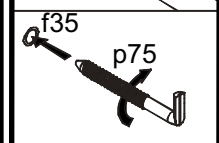
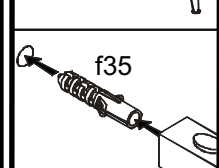
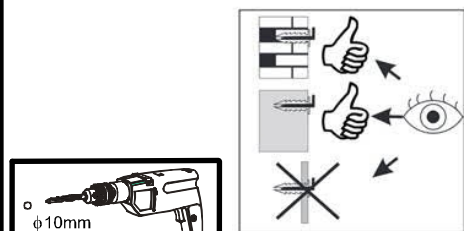
18

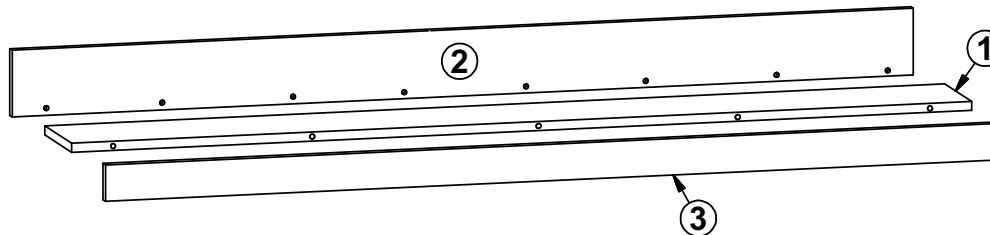


19



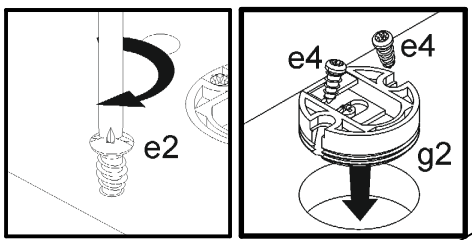
20



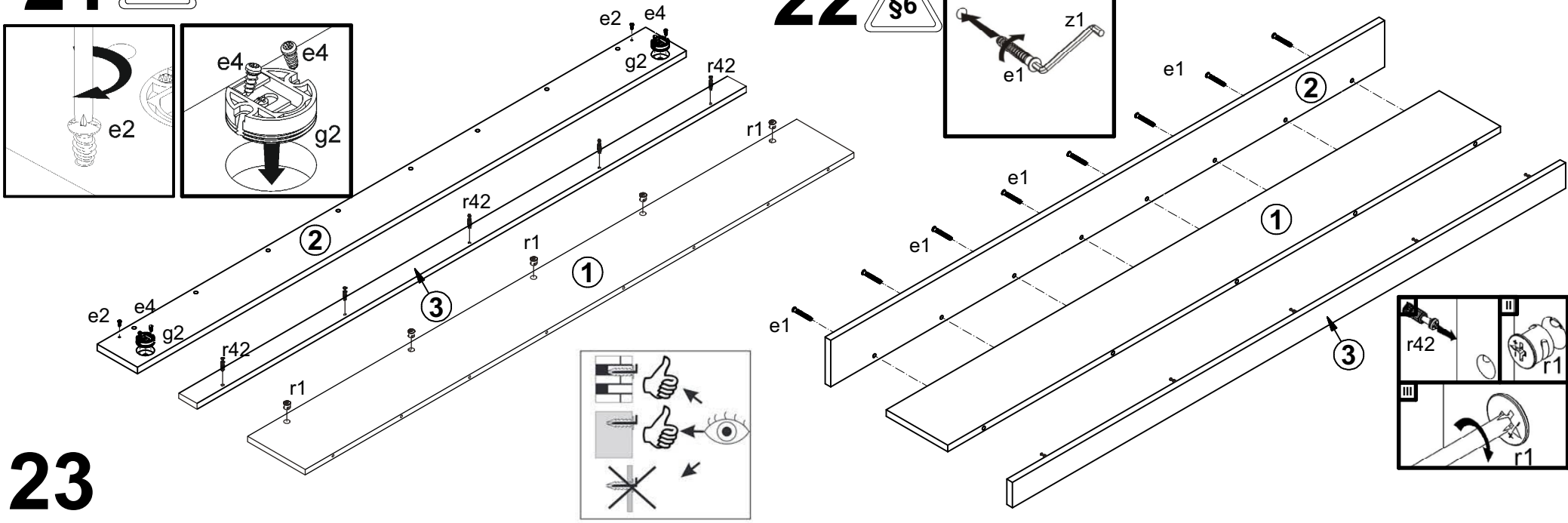
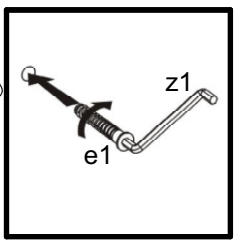


A	B	C (mm)	D
1	N17-306	1500	158 / 2/4
2	N17-509	1500	108 / 2/4
3	N17-510	1500	60 / 2/4

21



22



23

