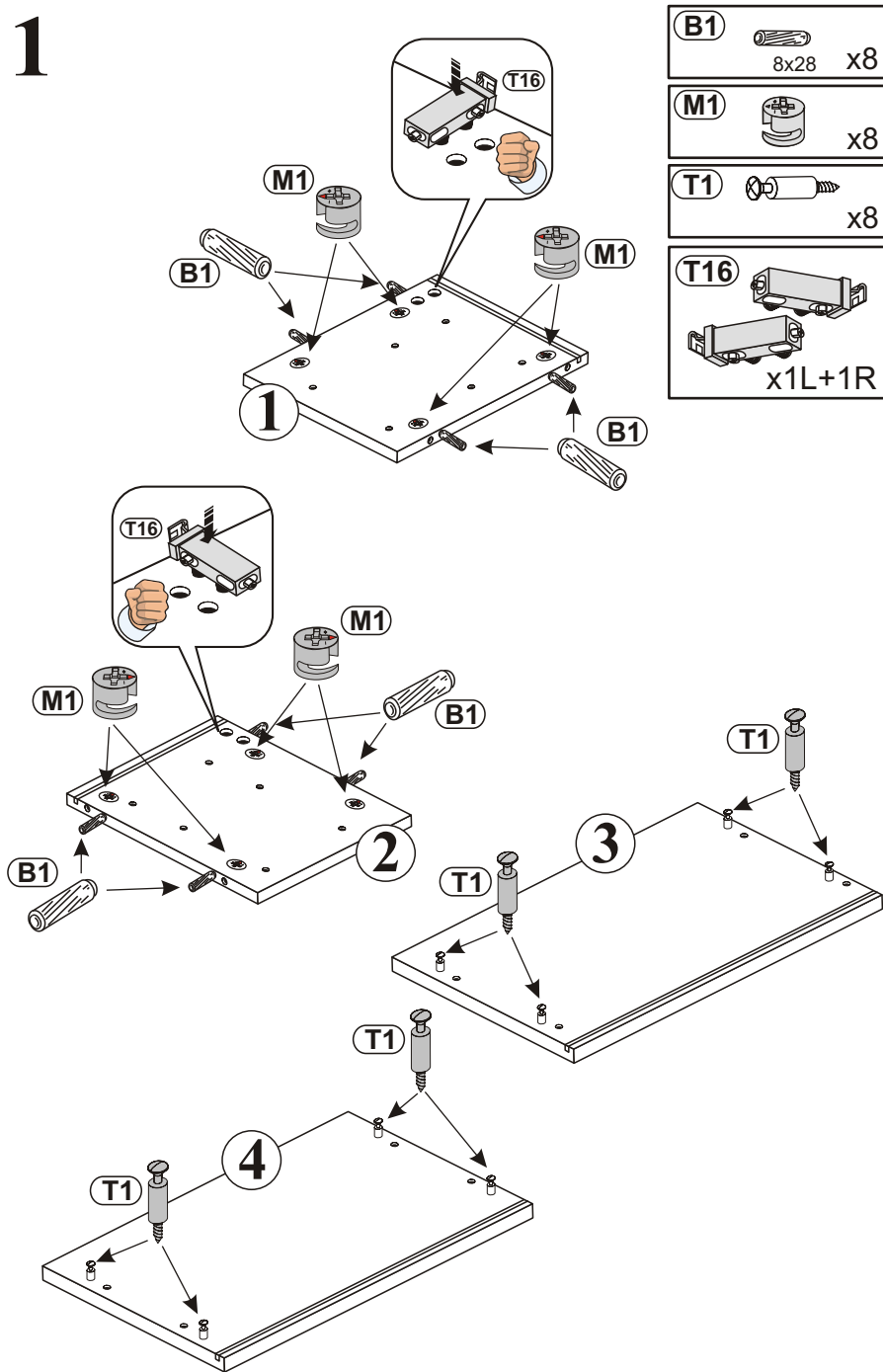


COME IN

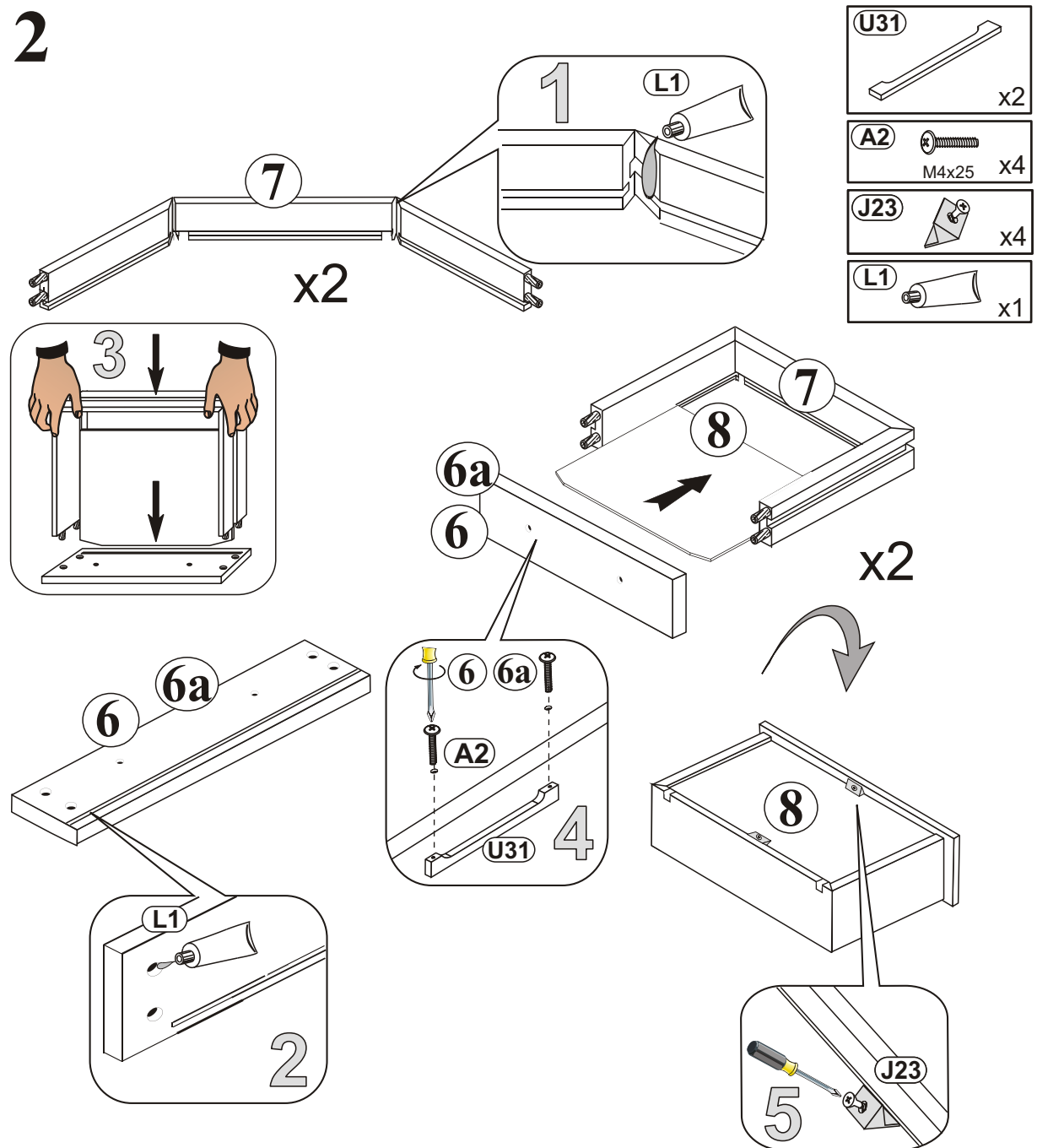
P2--CM 11

2 / 4

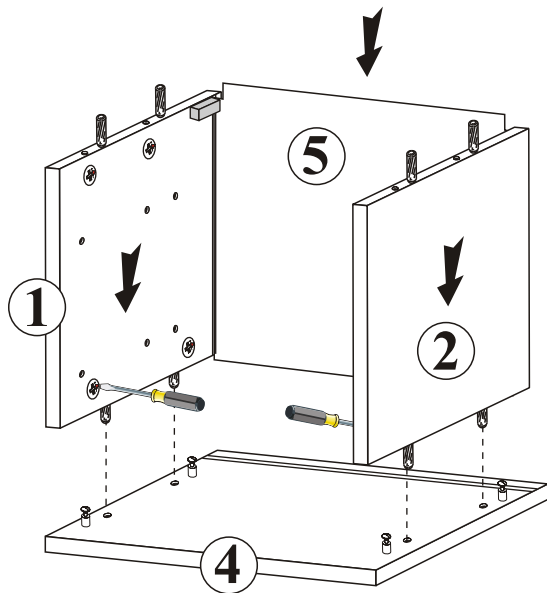
1



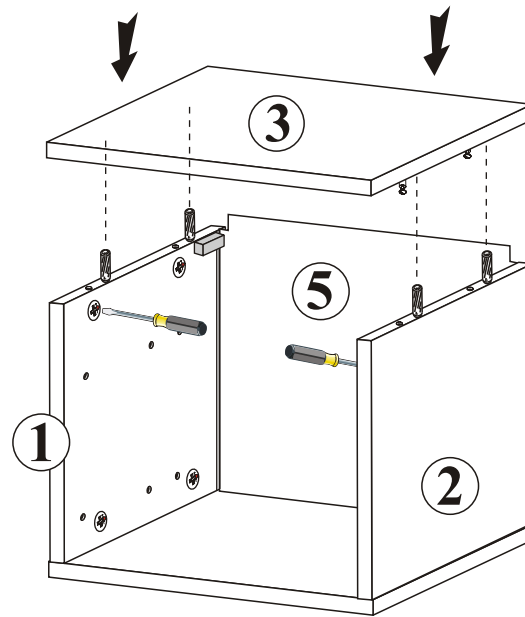
2



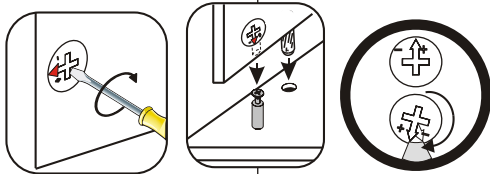
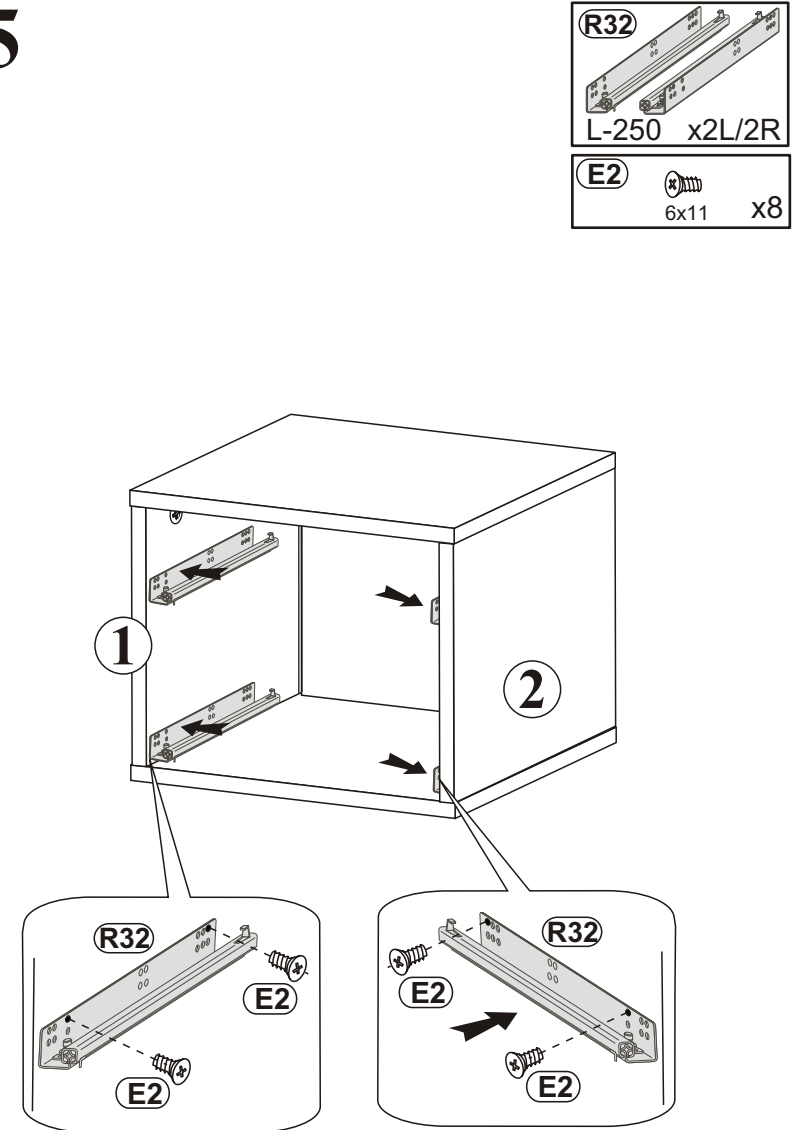
3



4

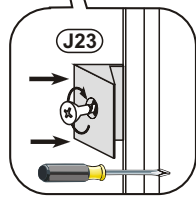
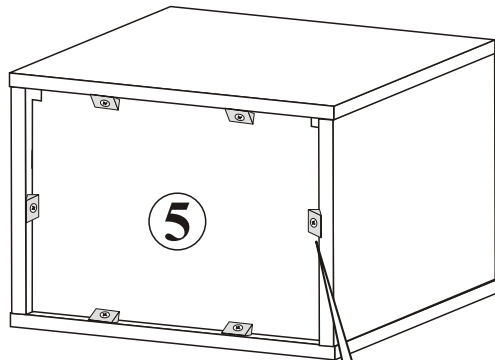


5

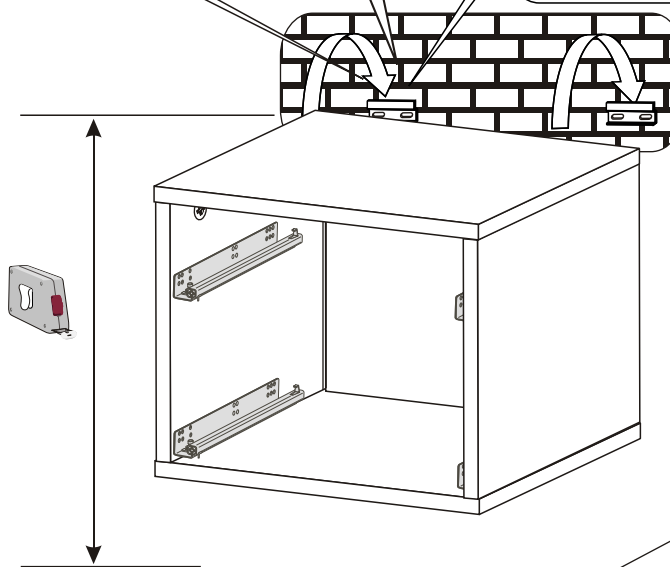
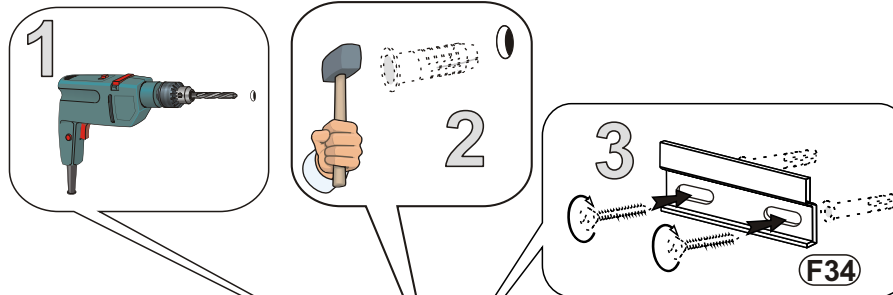


6

J23 x6



7



F34 x2

T16 x1L+1R

8

C3 x5

