

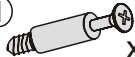
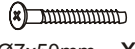



NR 1


(B1)  8x28 x16


(M1)  x12

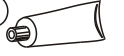
(T1)  x12

(K1)  Ø7x50mm x4


(C2)  x8


(W1)  x12

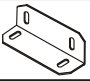
(J23)  x12


(L1)  x1


NR 2

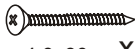
(F33)  x12

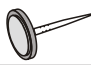
(P13)  3,5x13 x48+8

(F12)  x2

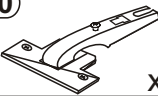
(G5)  x12

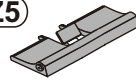
(S4)  3,0x20 x15


(S6)  4,0x30 x6


(F15)  x6


NR 3

(Y0)  x4

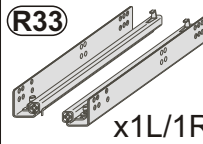
(Z5)  x1


(D7)  x4


(E3)  6,3x13 x8


(S8)  4x13 x8


NR 4

(R33)  x1L/1R

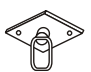
(E24)  6,0x11 x4


(P7)  4x30 x4

(T2)  5x35mm x2

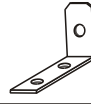
(M2)  12x10mm x2


NR 5

(U22)  x2

(A18)  4,0x25 x2

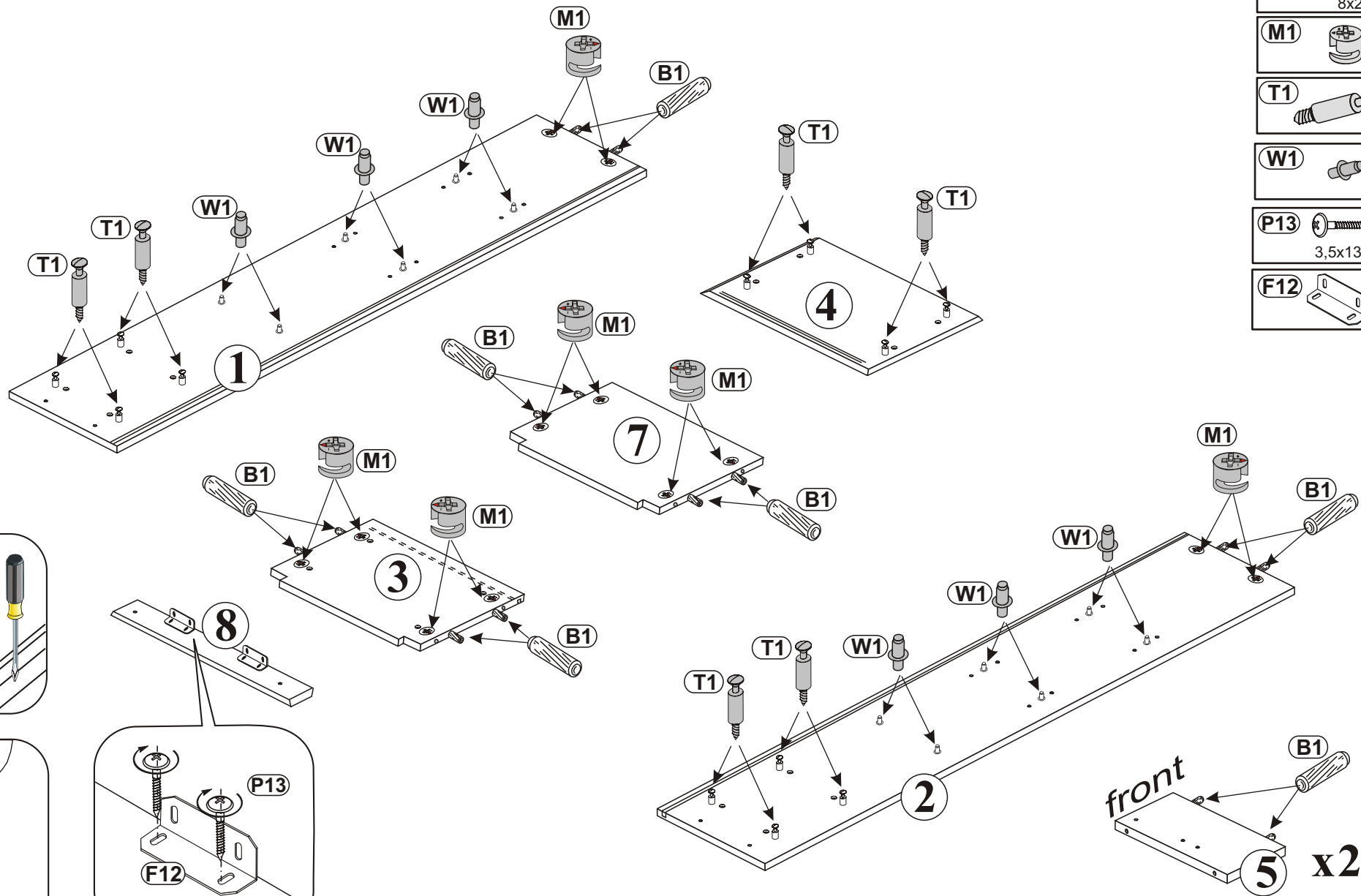
NR 6

(J11)  x1

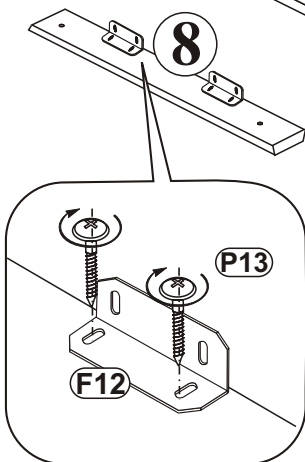
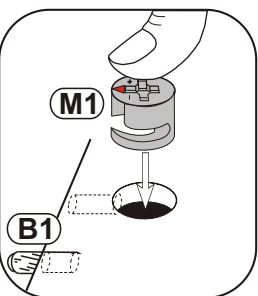
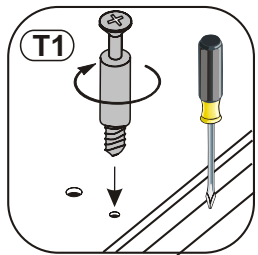
(P13)  3,5x13 x2



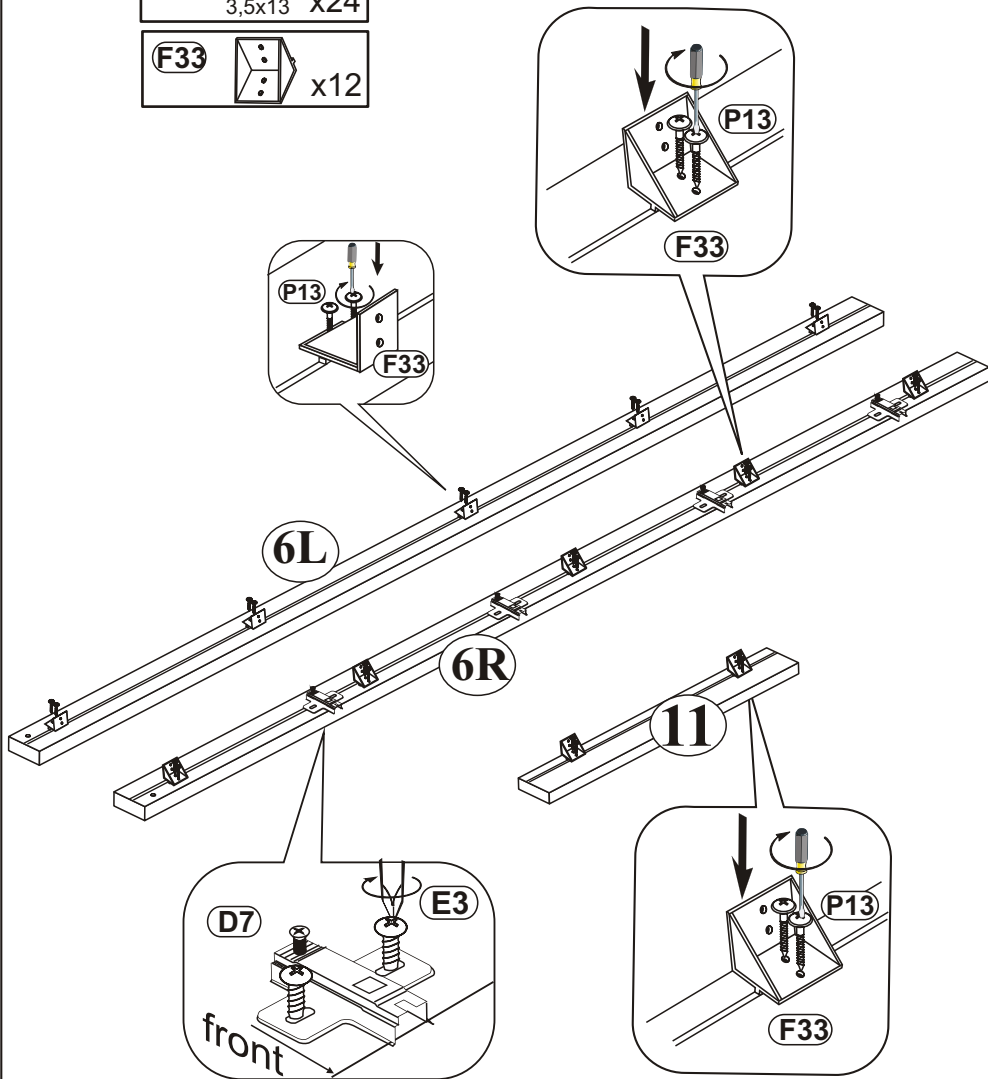
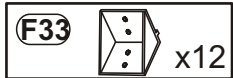
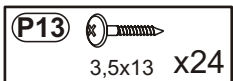
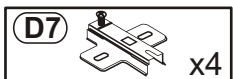
1



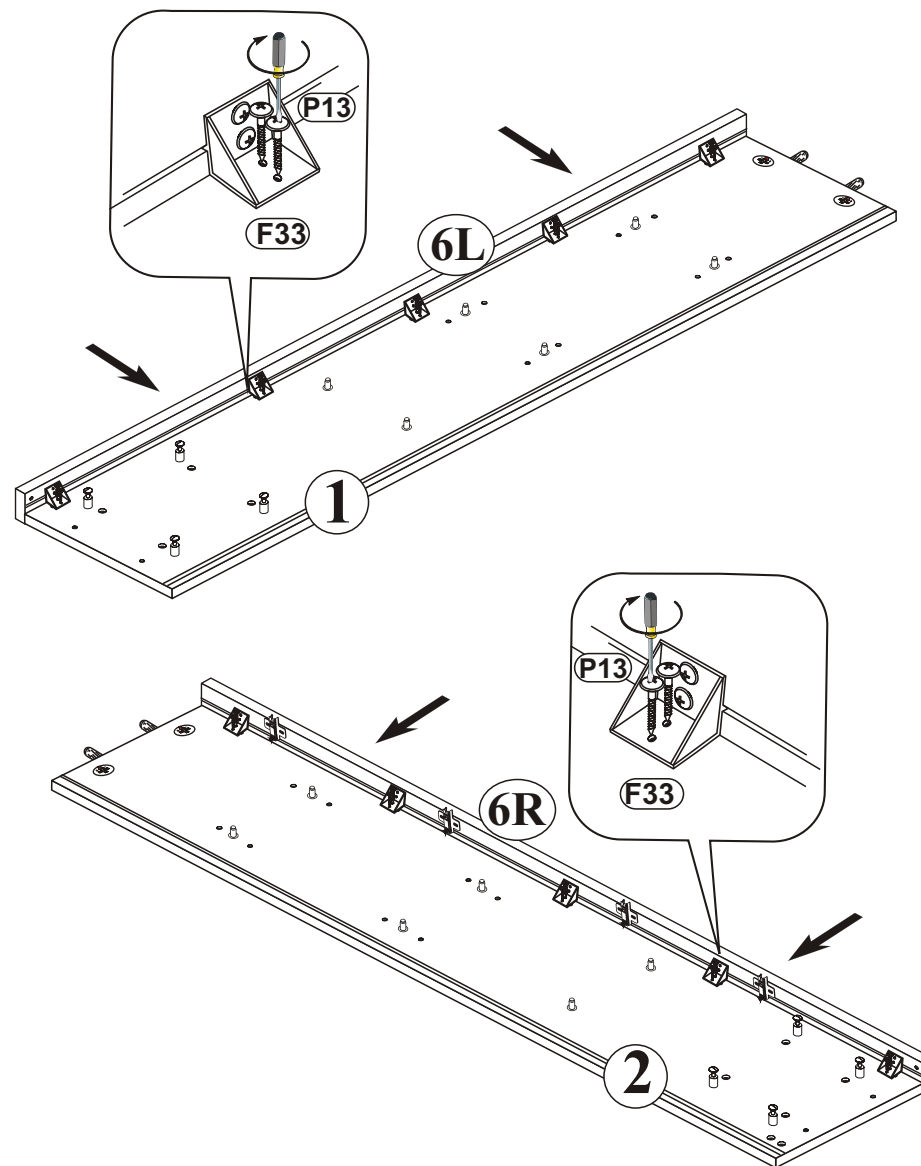
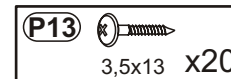
- (B1)** 8x28 x16 x16
- (M1)** x12
- (T1)** x12
- (W1)** x12
- (P13)** 3,5x13 x4
- (F12)** x2



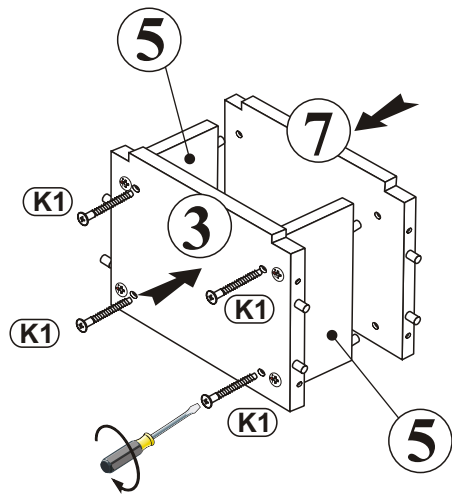
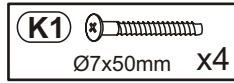
2



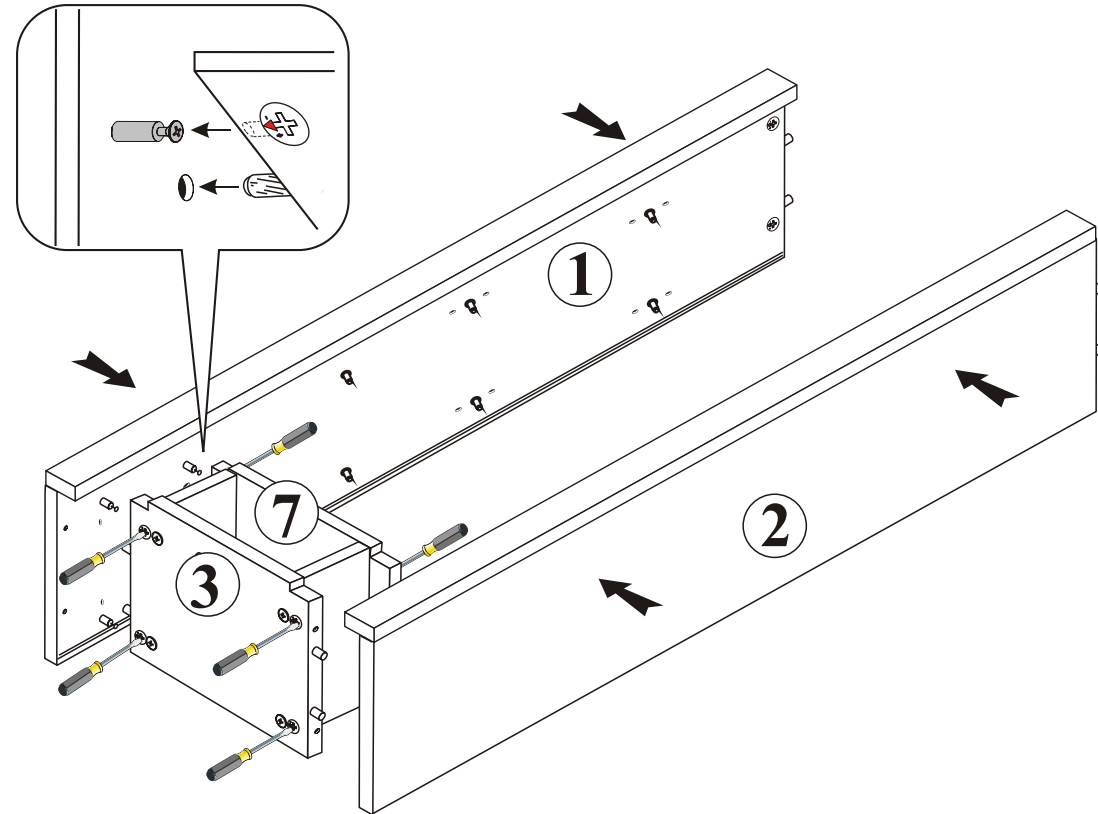
3



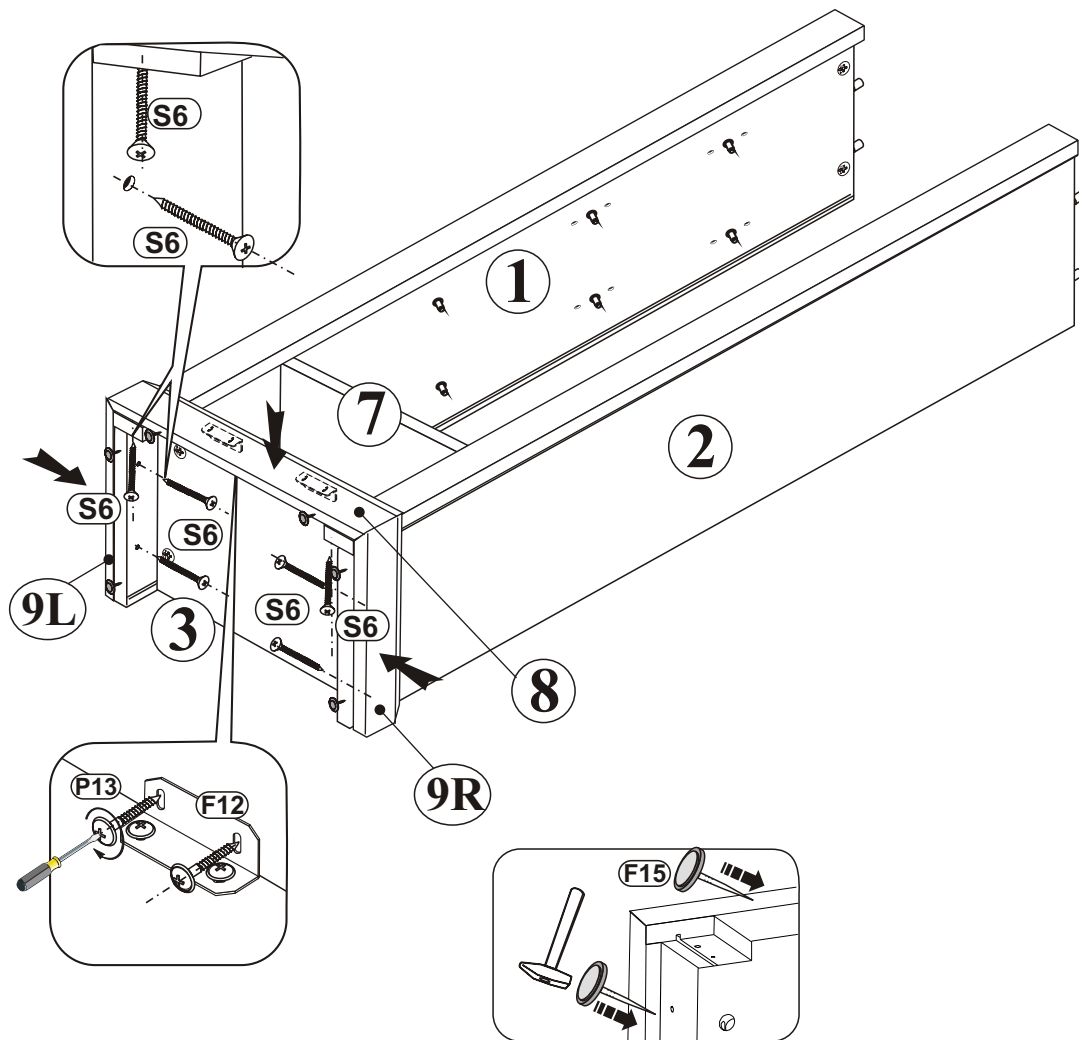
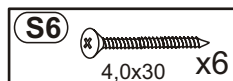
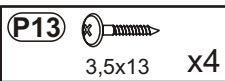
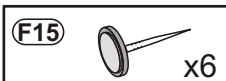
4



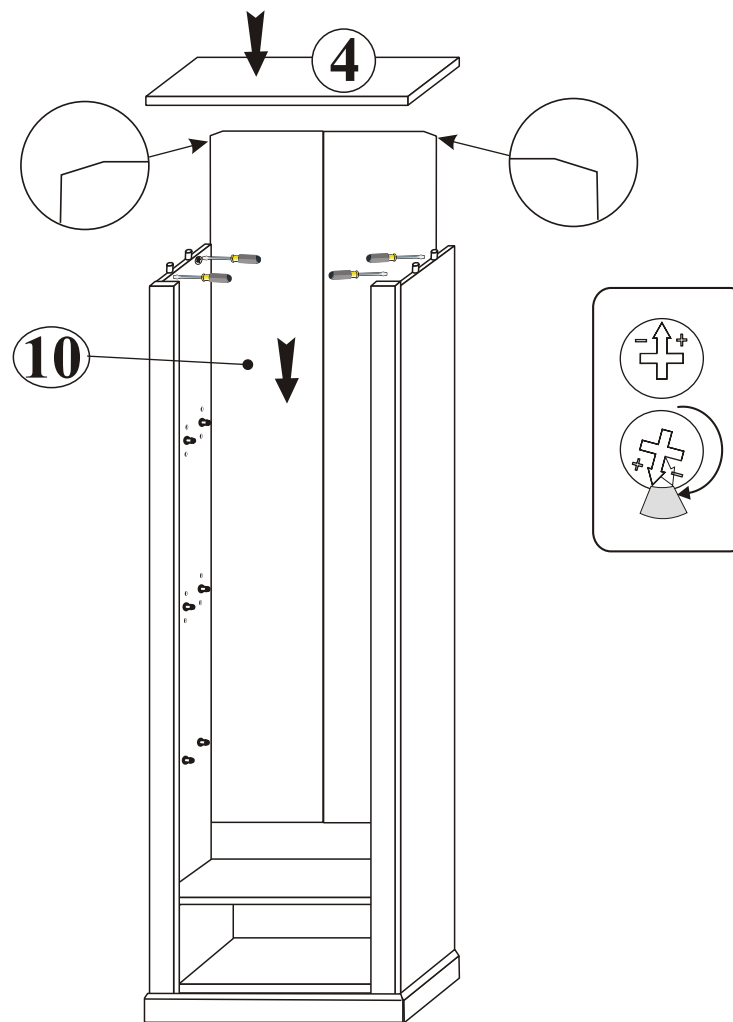
5



6

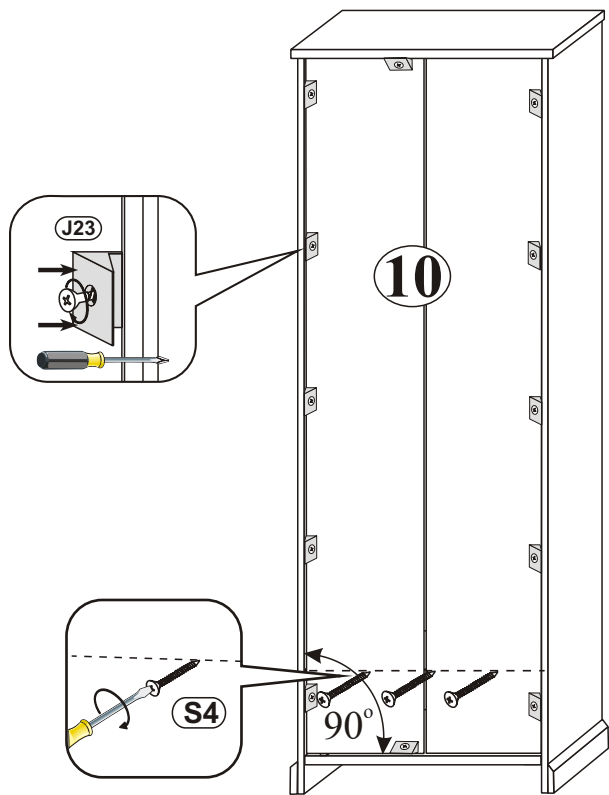


7

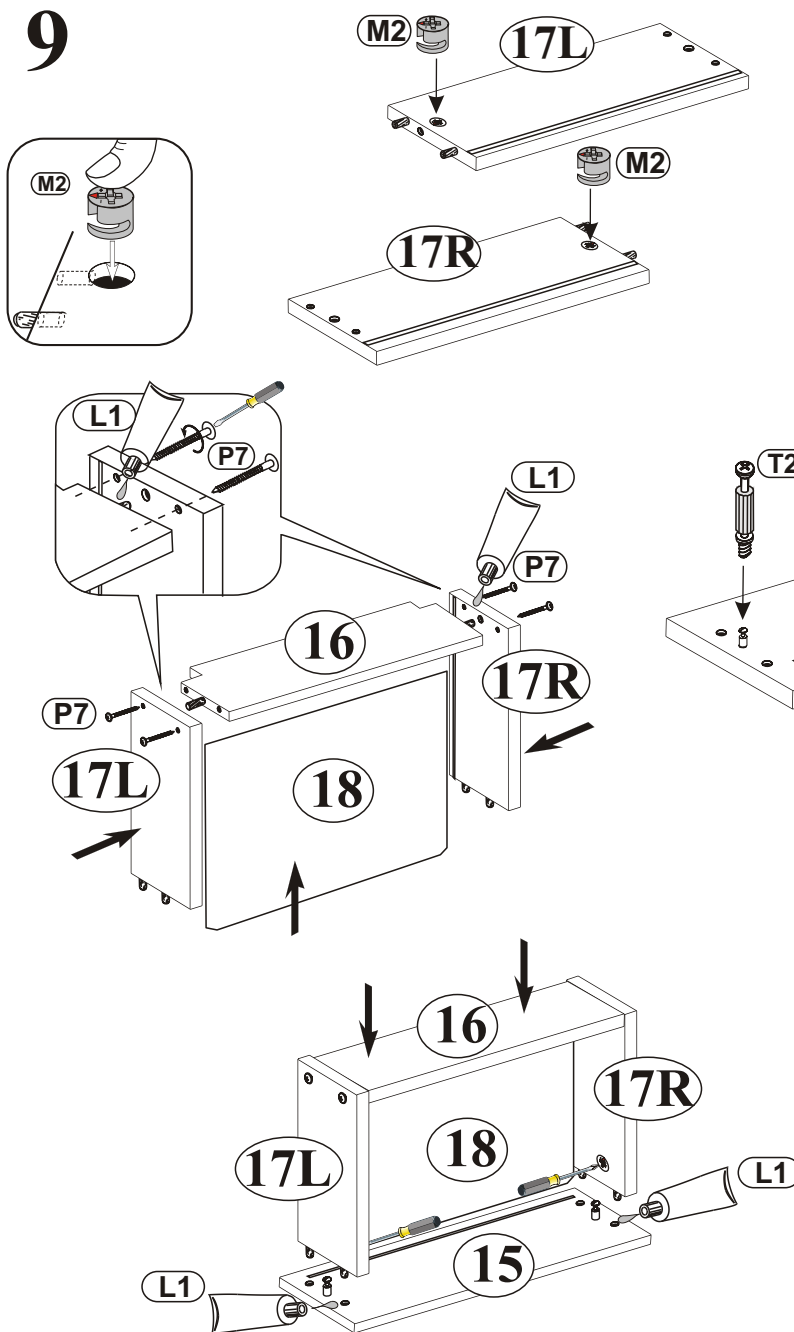


8

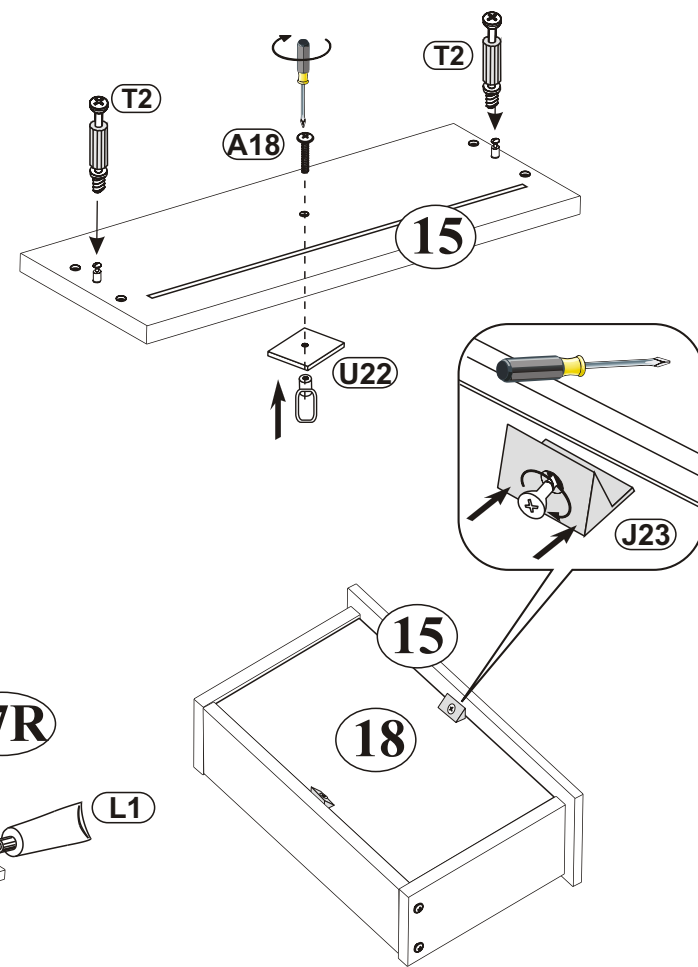
- J23 x12
- S4 3x20 x3





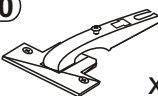


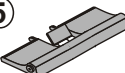

9

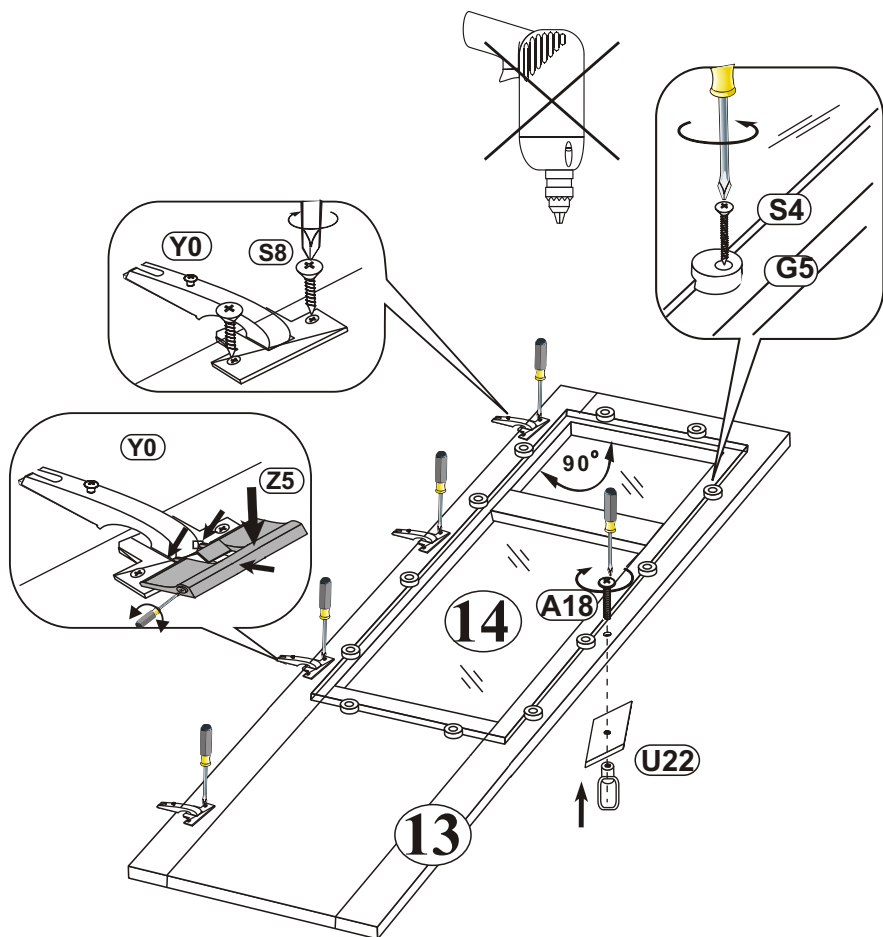


- U22 x1
- T2 x2
- A18 4,0x25 x1
- M2 x2
- J23 x2
- P7 4x30 x4
- L1 x1



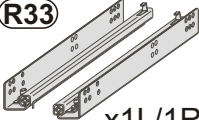



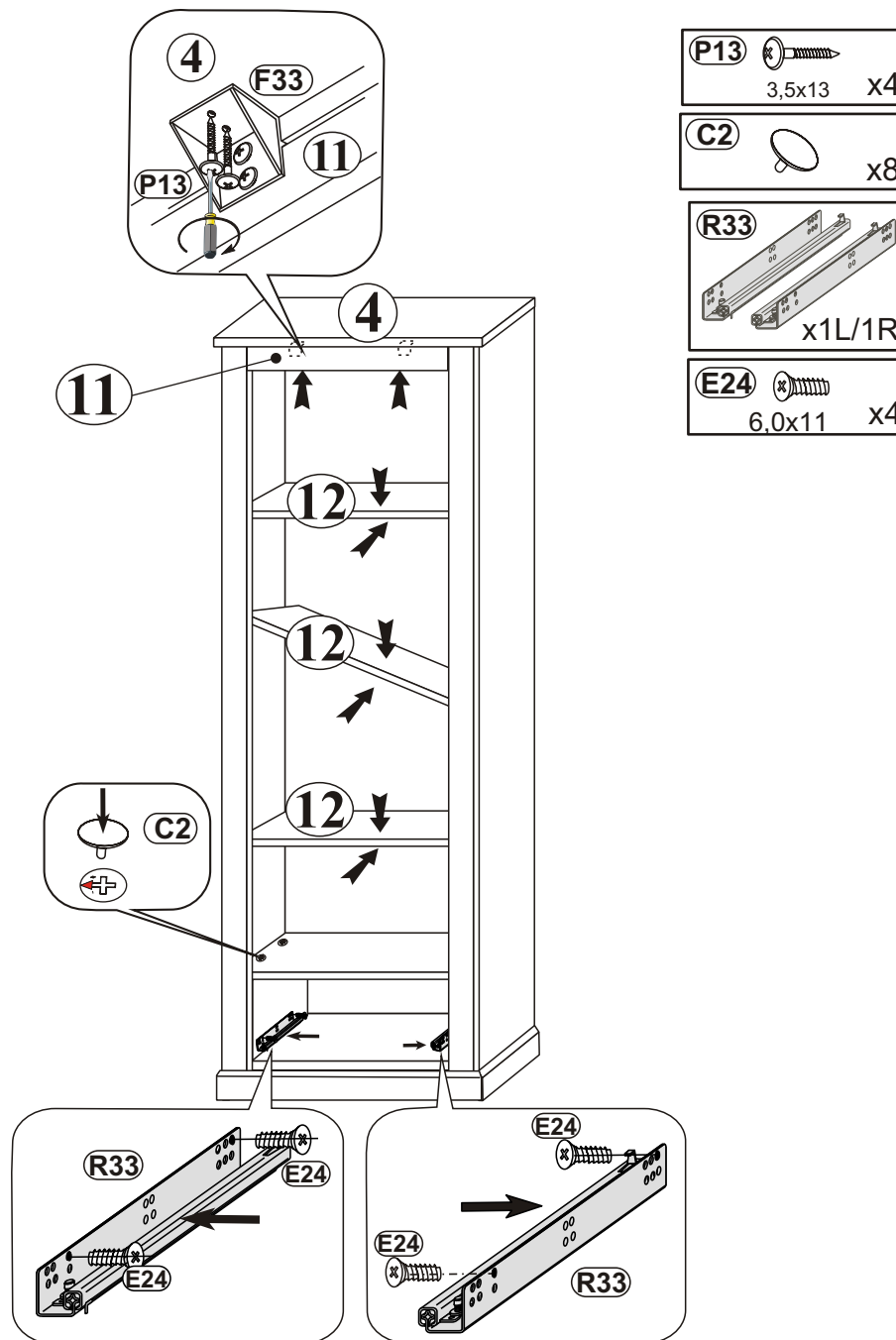
10

U22  x1	G5  x12	Y0  x4
A18  4,0x25 x1	S4  3,0x20 X12	Z5  x1
	S8  4x13 x8	



11

P13  3,5x13 x4	C2  x8
R33  x1L/1R	E24  6,0x11 x4



12

