

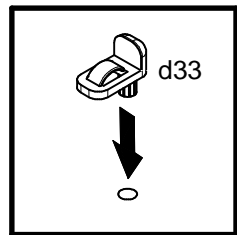
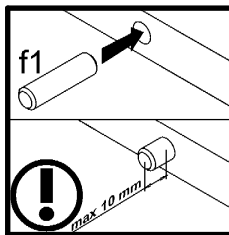
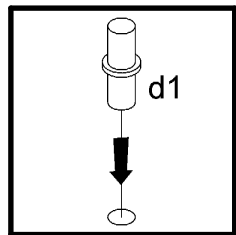
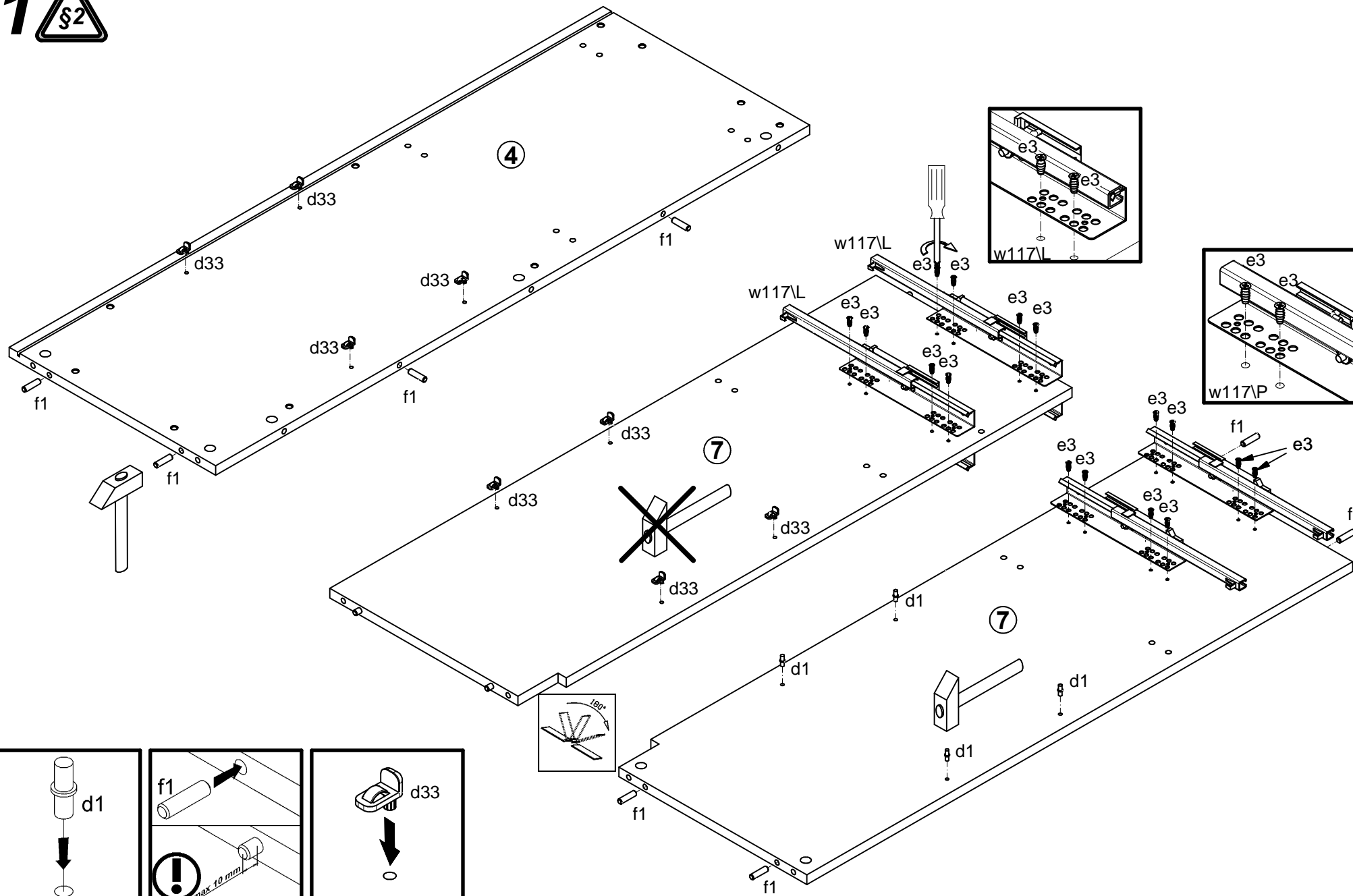
A	B	C	D	A	B	C (mm)	D
30	WSP-956	444	358	4/4	1	S228-007	650 480 4/4
31	WSP-958	478	358	4/4	2	S228-008	480 160 4/4
32	WSQ2-505	350	100	1/4	3	S228-009	514 160 4/4
33	WSQ2-506	350	100	1/4	4	S228-112	1154 401 1/4
34	WTQ-5055	434	87	4/4	5	S228-113	1154 401 1/4
35	WTQ-5056	468	87	4/4	6	S228-114	324 381 1/4

A	B	C (mm)	D
7	S228-115	1060,5	381 3/4
8	S228-205	1616	401 2/4
9	S228-313	1584	381 2/4
10	S228-314	522	381 3/4
11	S228-315	522	381 3/4
12	S228-316	515	371 3/4
13	S228-317	507	376 1/4
14	S228-318	508	381 1/4
15	S228-403	474	60 4/4
16	S228-404	508	60 4/4
17	S228-531	147	100 4/4
18	S228-5506	401	80 2/4
19	S228-5508	285	80 2/4
20	S228-5530	1661	80 2/4
21	S228-5531	1500	80 2/4
22	S228-5532	1582	40 2/4
23	S228-5533	1150	80 1/4
24	S228-5534	1150	80 1/4
25	S228-5535	1150	58 2/4
26	S228-5536	1160	58 2/4
27	S228-906	734	535 4/4
28	S228-907	734	524 4/4
29	S228-908	1594	346 2/4

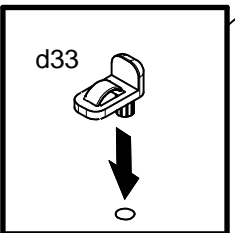
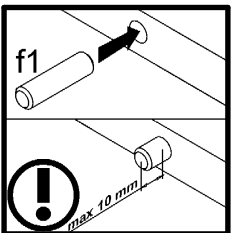
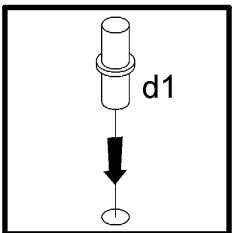
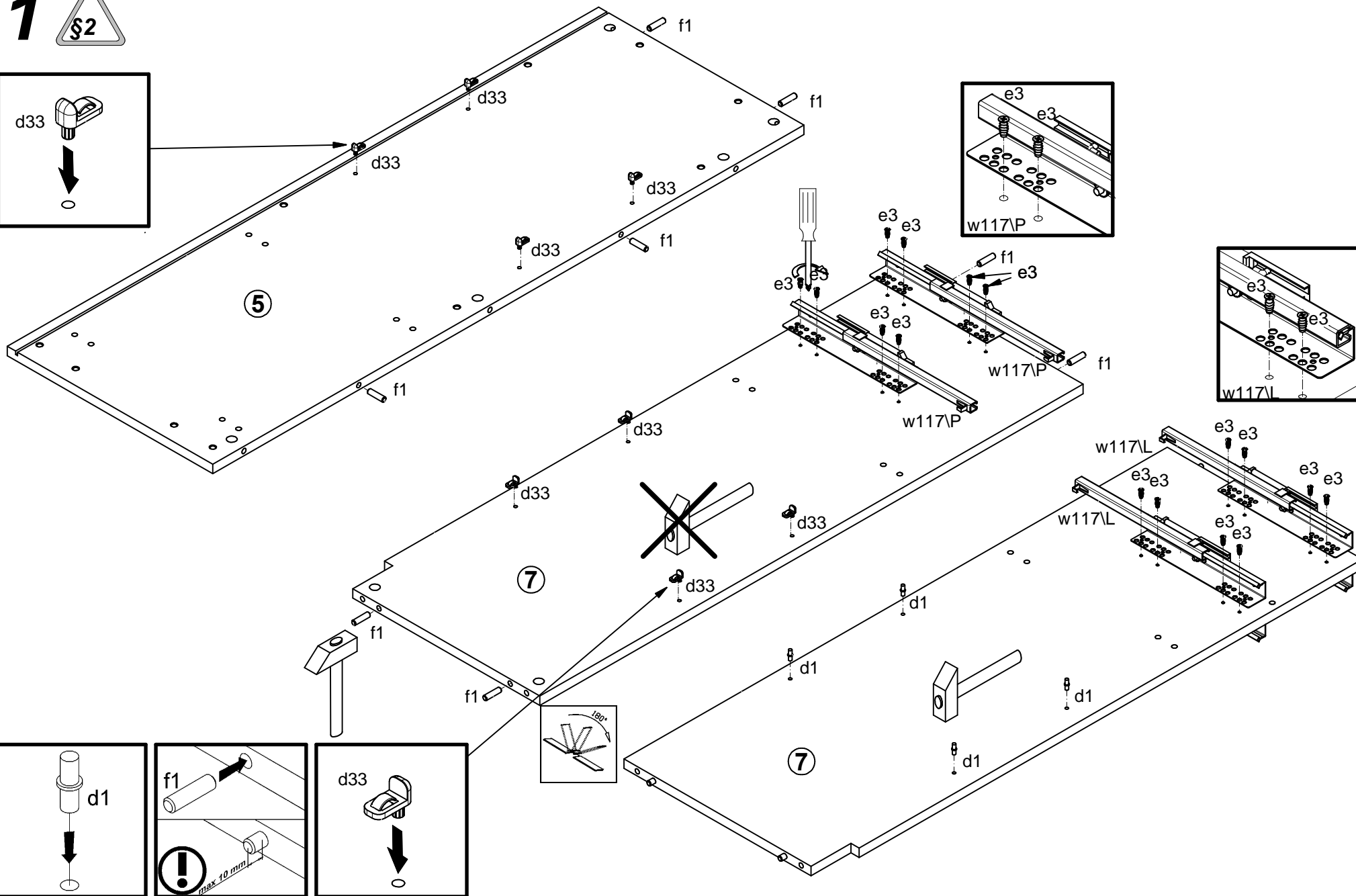
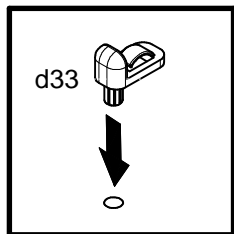
cm

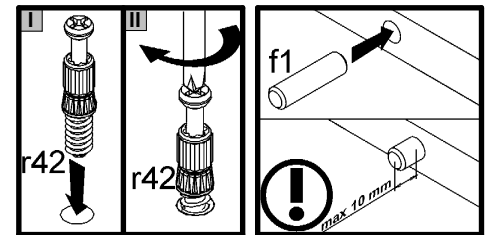
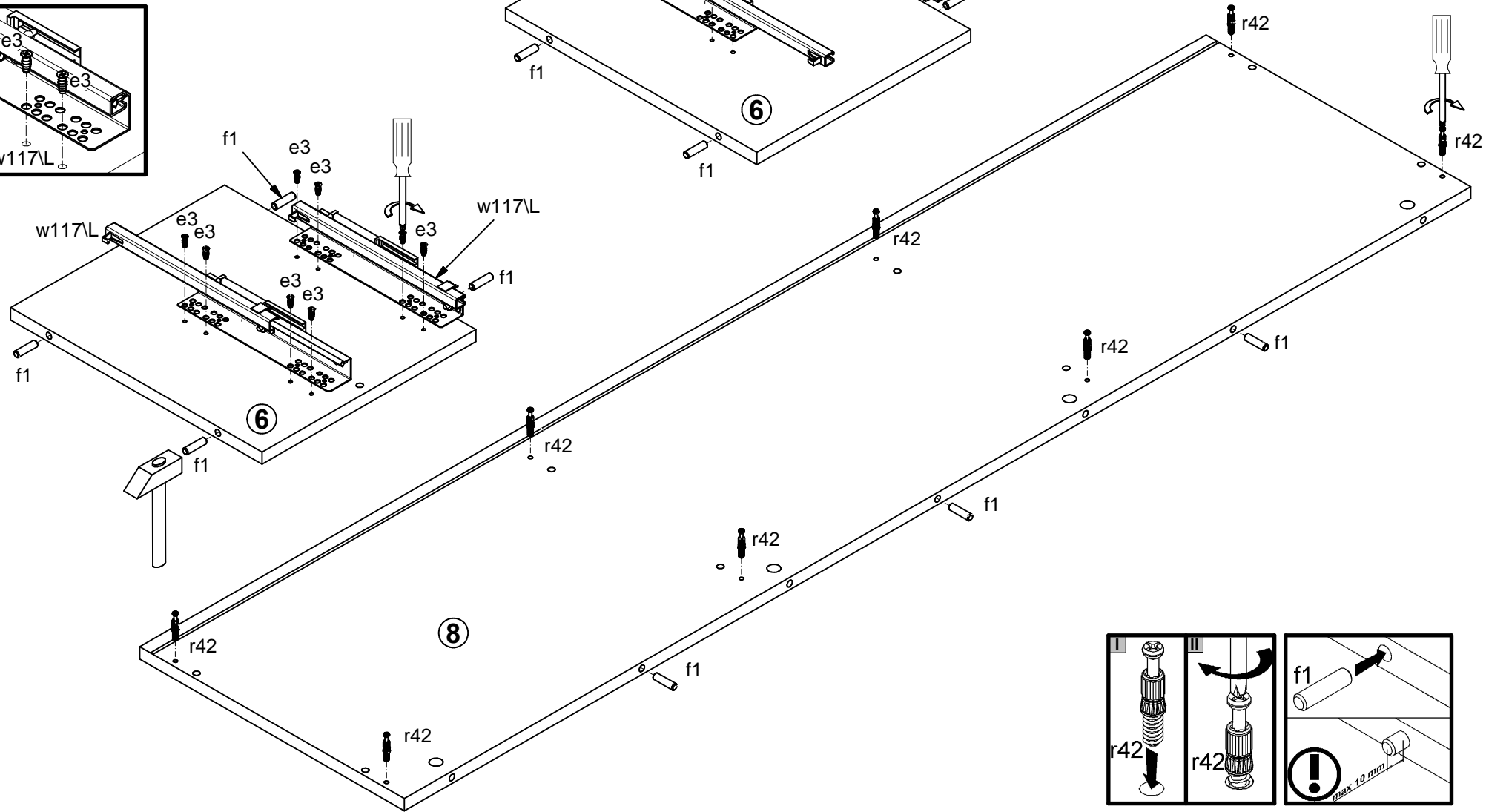
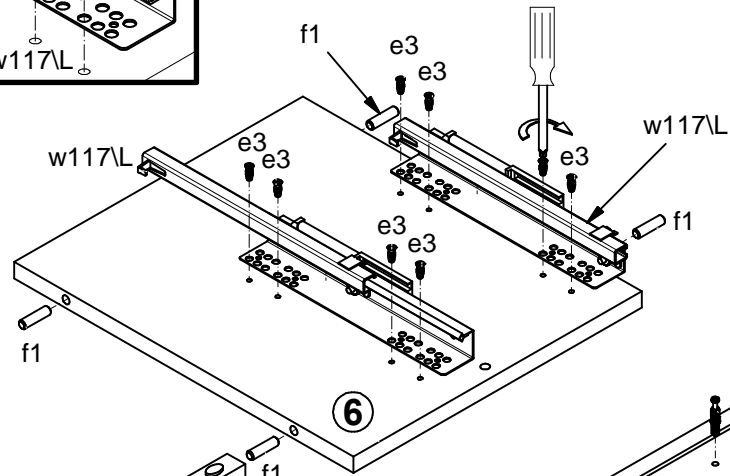
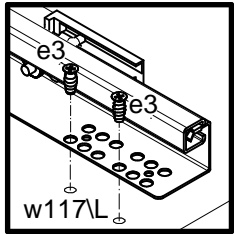
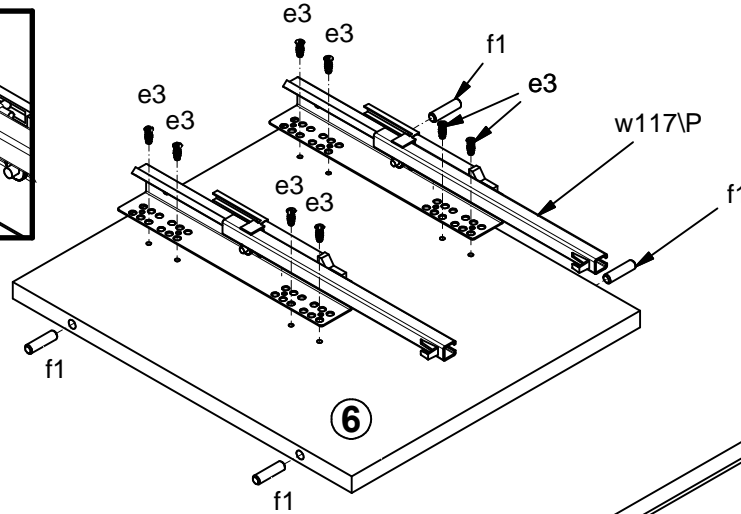
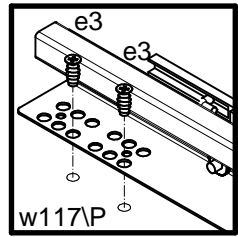
4x a132	2x a133	4x b43	8x c280	8x d1	16x d33	4x d36	14x e1
8x e2	48x e3	20x e22	41x f1	8x f6	16x f13	24x f25	16x j30
2x o751	4x o851	1x o80/3	1x o80/5	26x n108	4x p9	6x p25	6x p35
24x r15	4x r28	42x r42	12x s1	15x s2	6x t35	6x W117L	6x W117P
8x k1	2x k101	24x l1	16x l2	4x o21	26x p38	16x p51	26x p55
4x p79	26x p9	4x p17	1x n14	1x p17	1x z1	1x f35	1x n14

1 

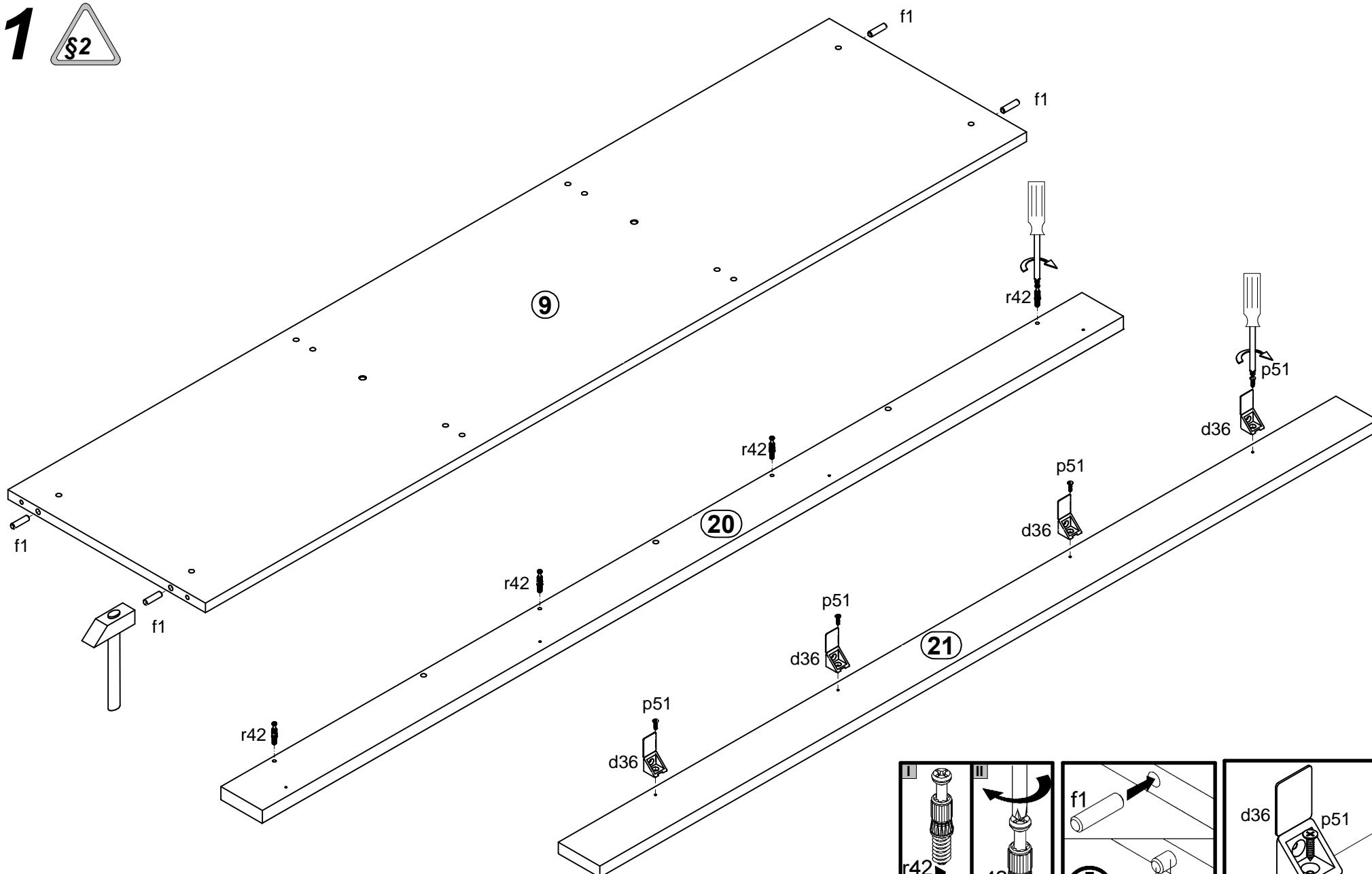


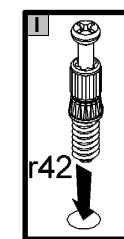
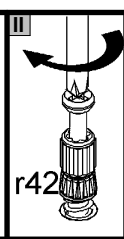
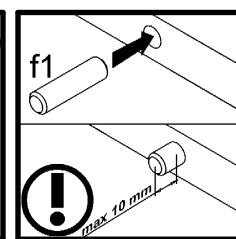
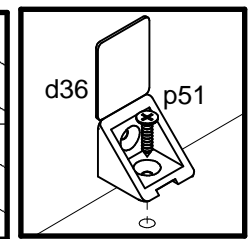
1 



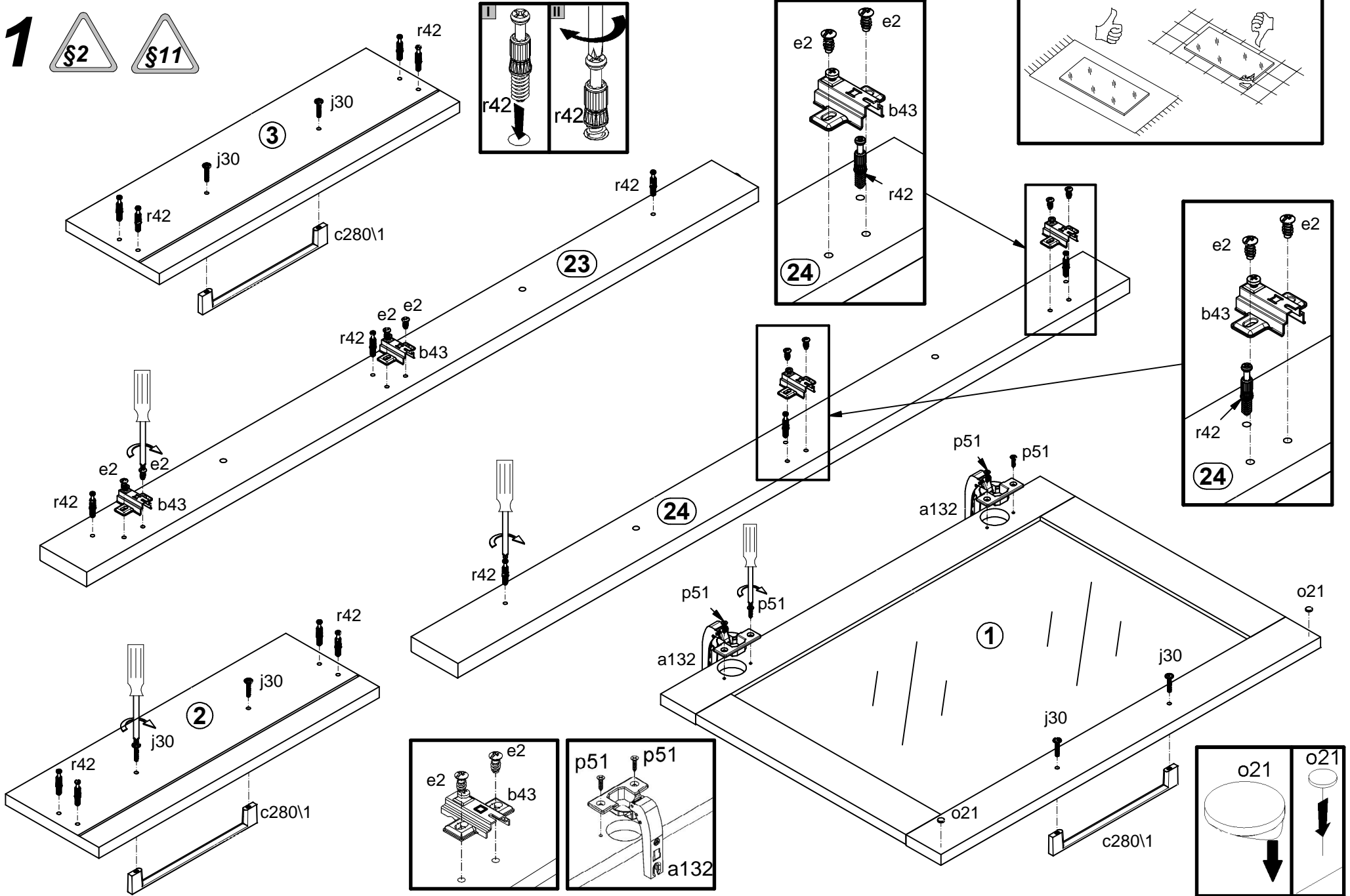


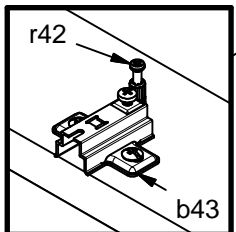
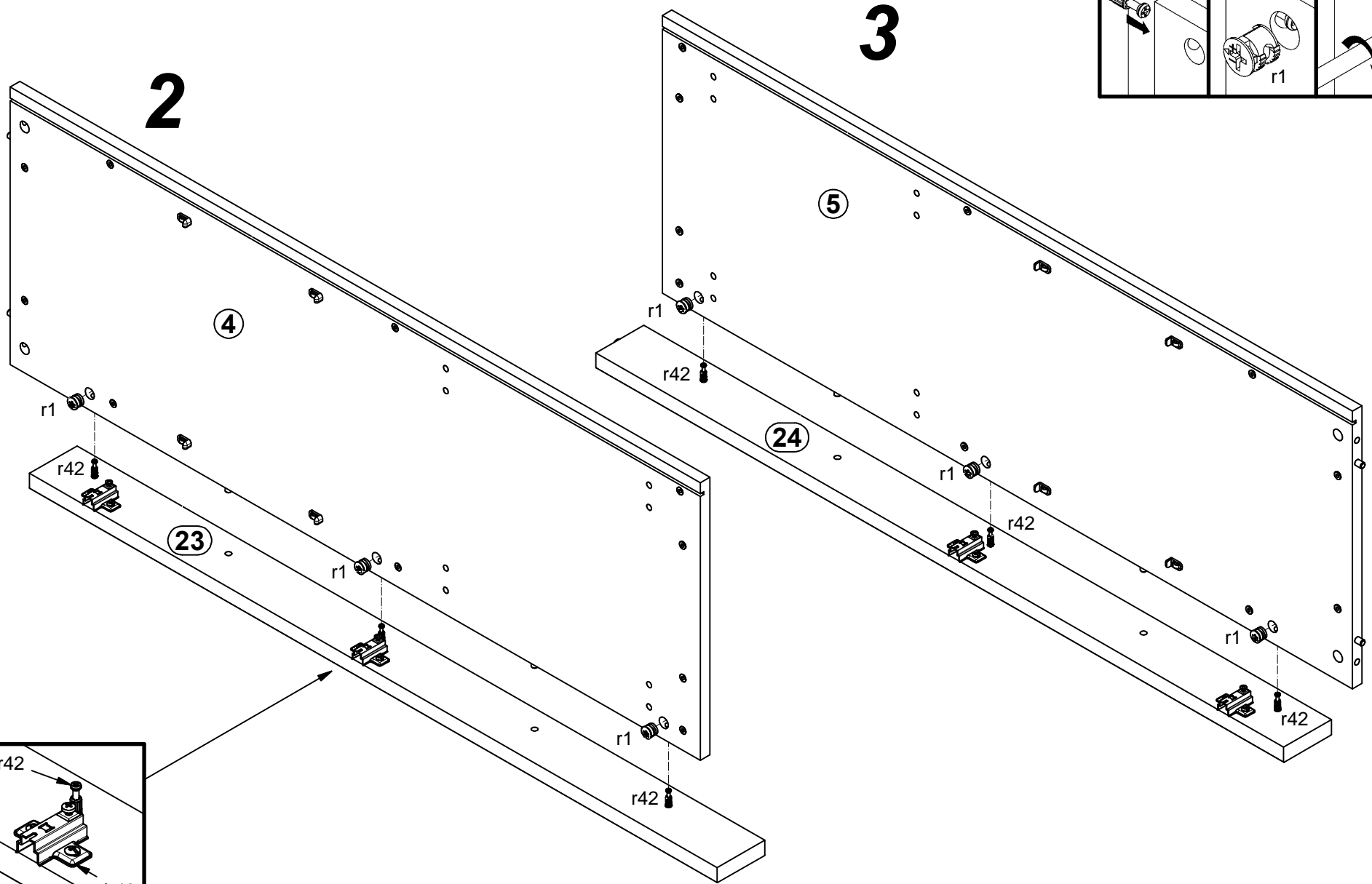
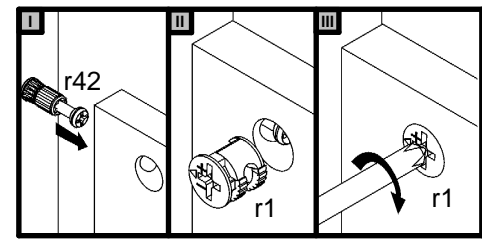
1 

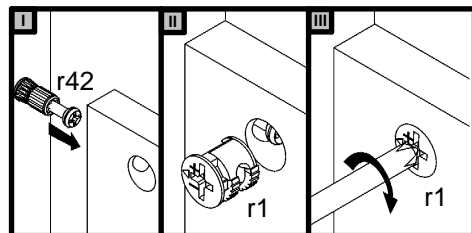


 <p>I</p> <p>r42</p>	 <p>II</p> <p>r42</p>	 <p>f1</p> <p>max 10 mm</p>	 <p>d36</p> <p>p51</p>
---	--	--	---

1



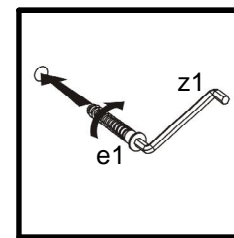
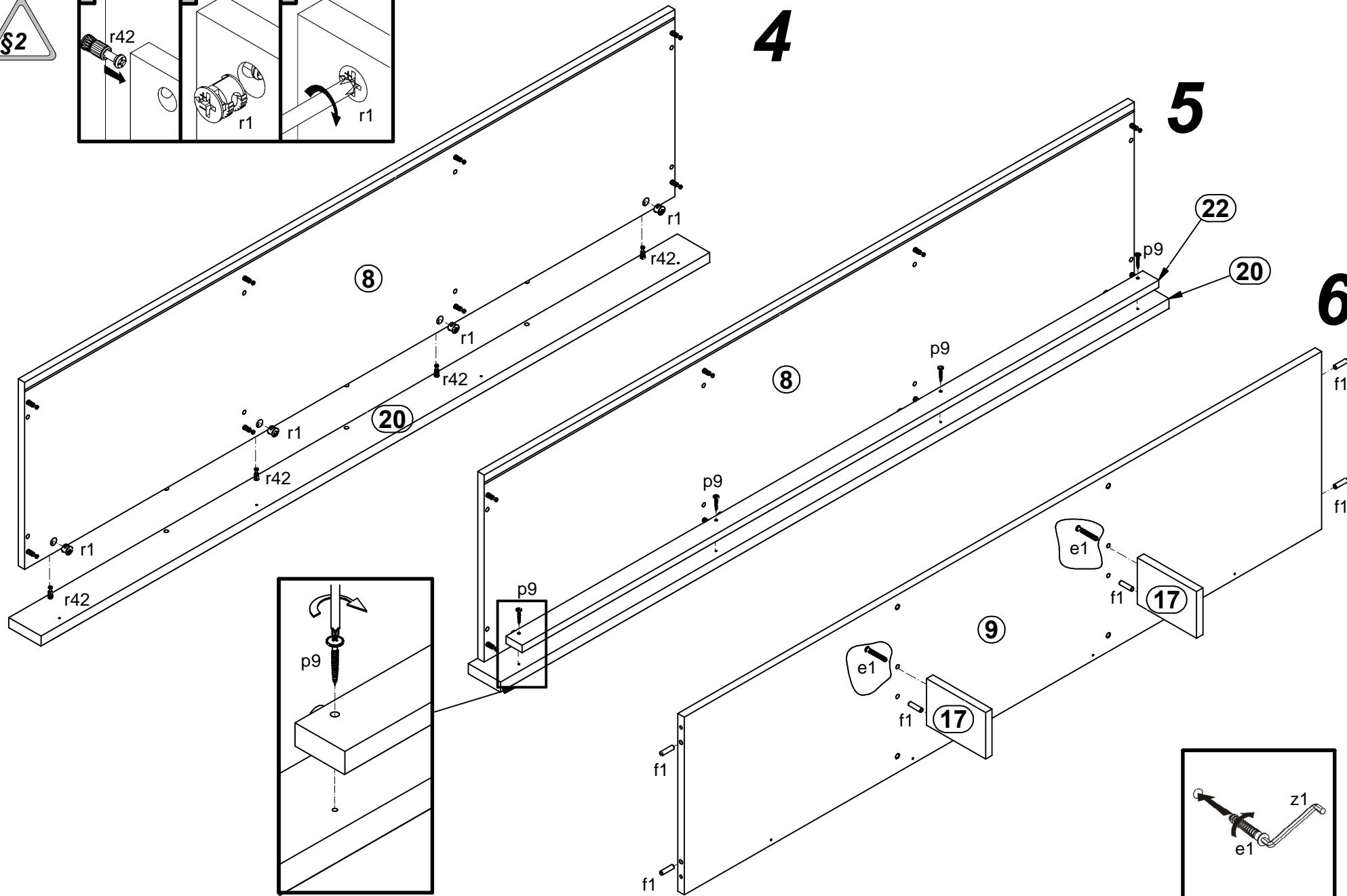


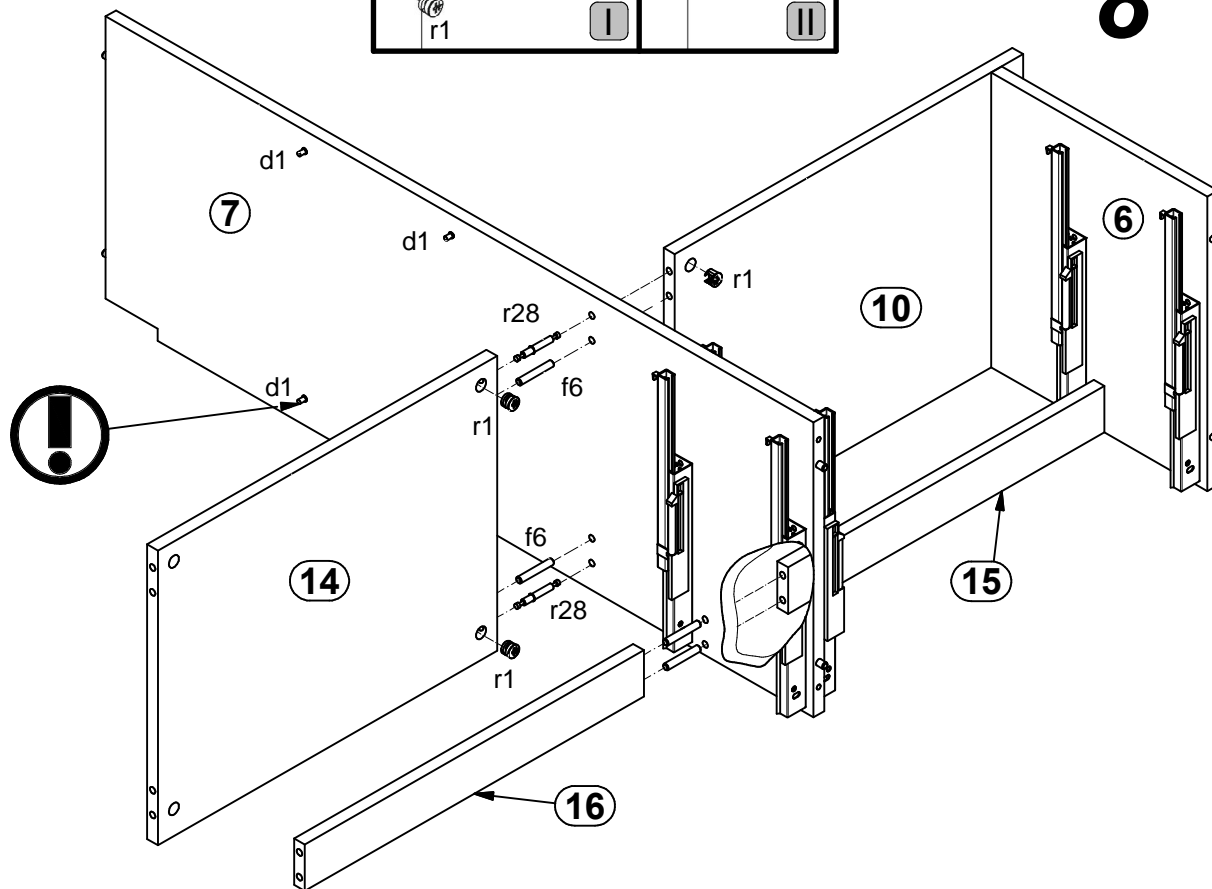
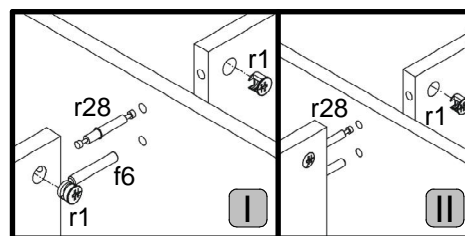
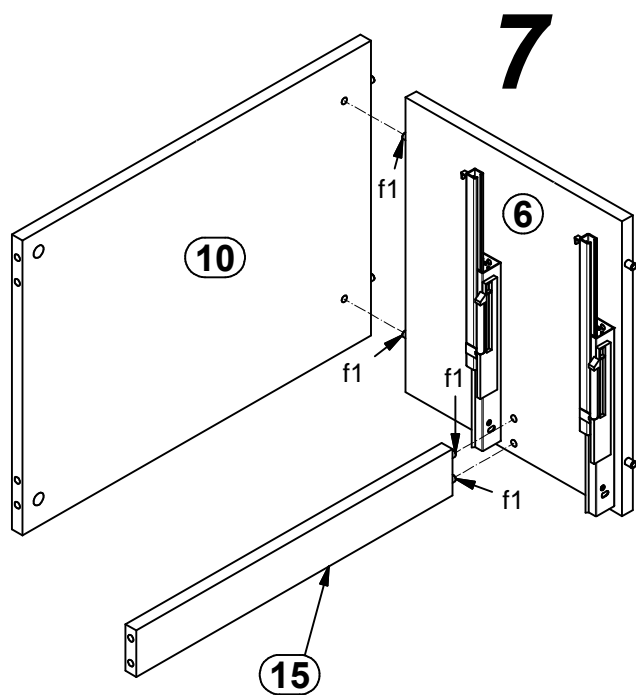


4

5

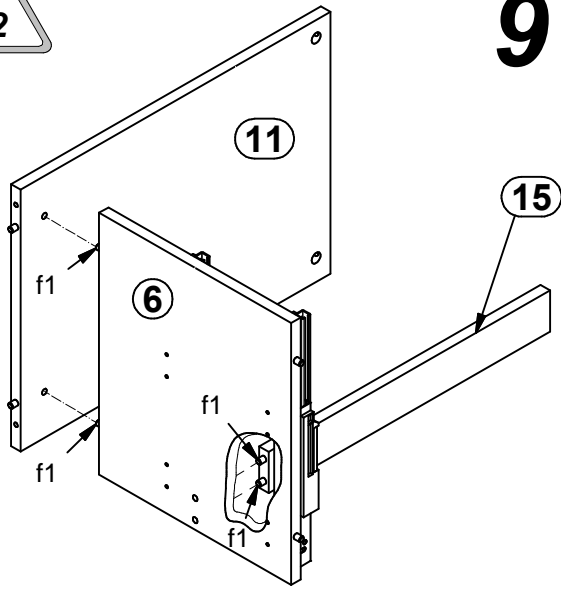
6



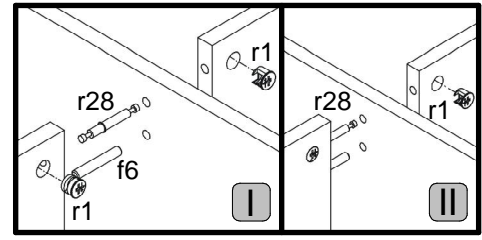
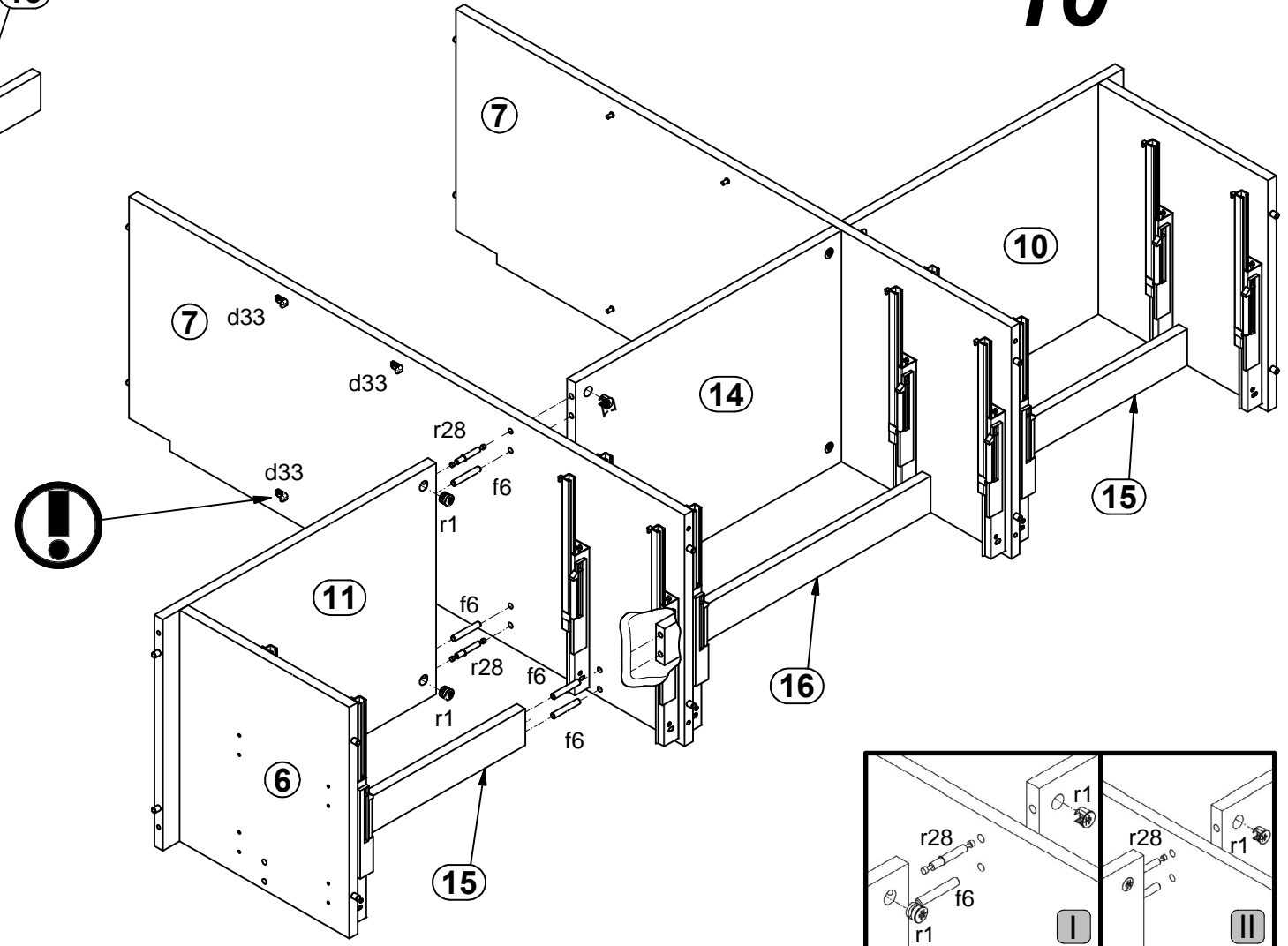


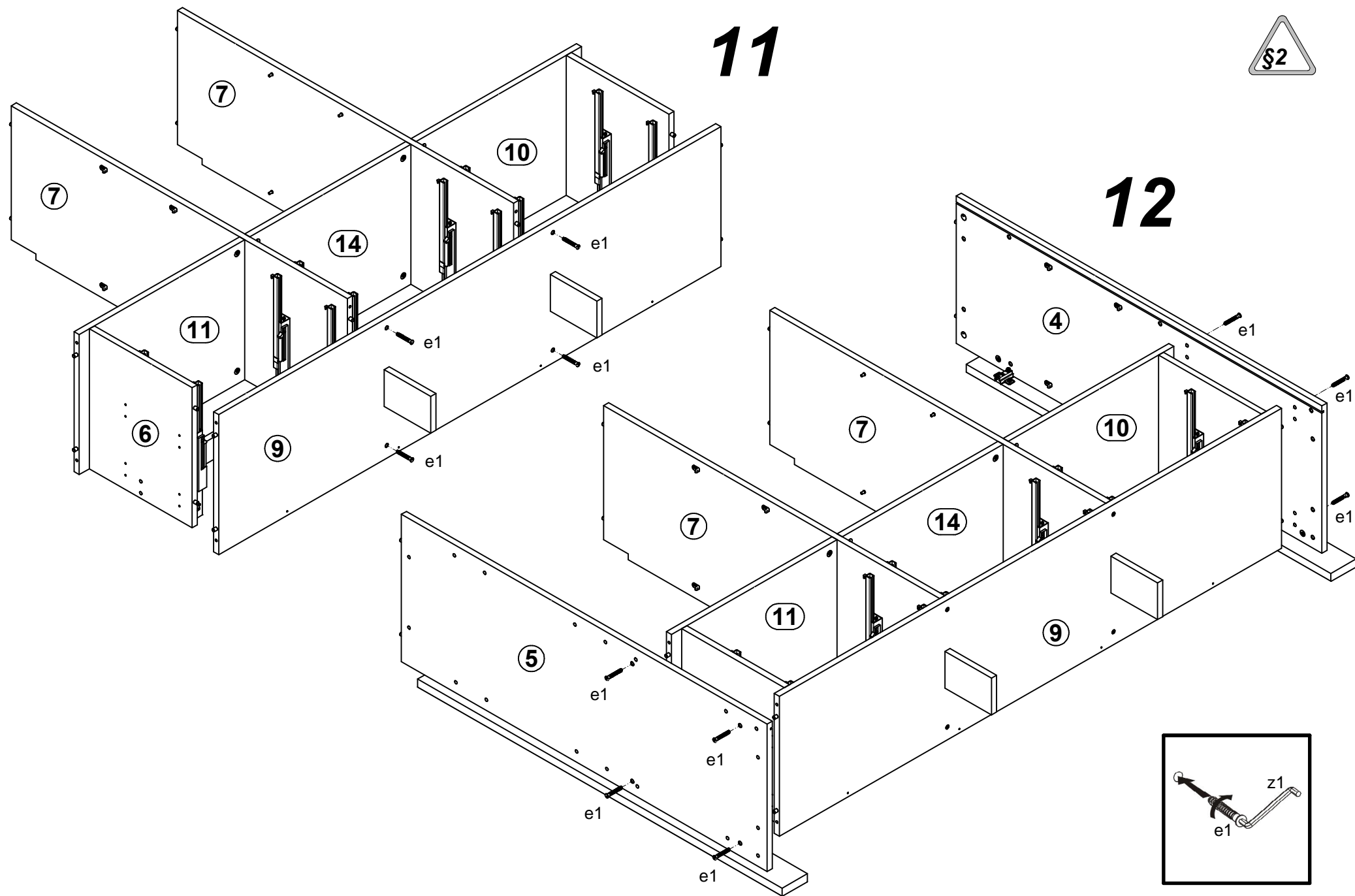


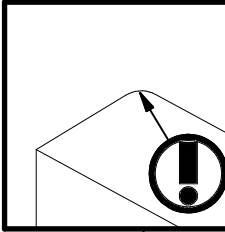
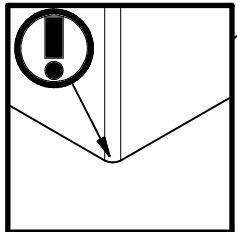
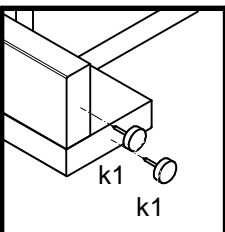
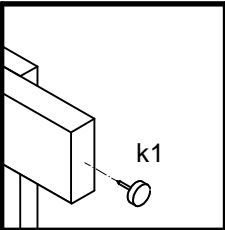
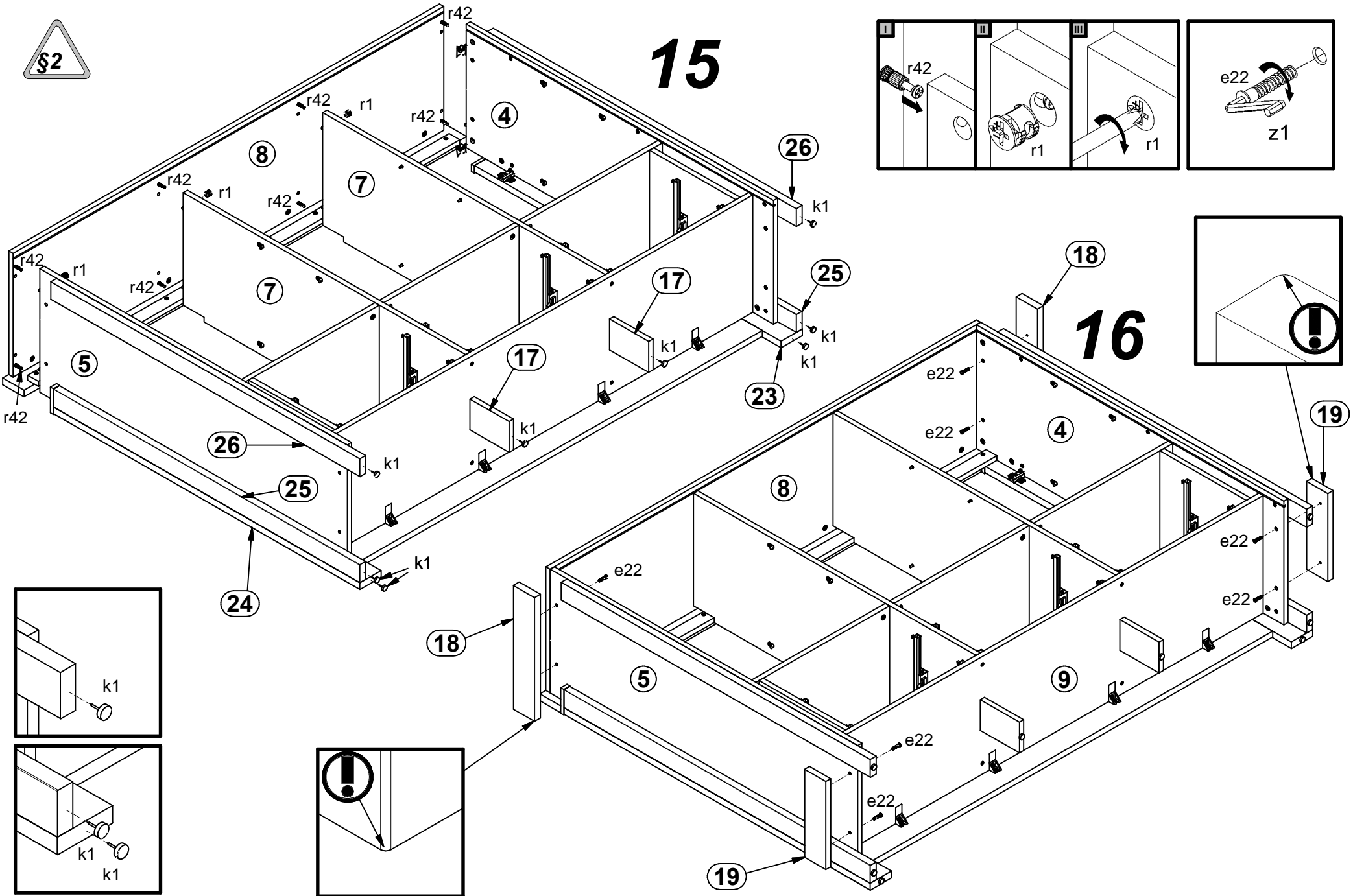
9

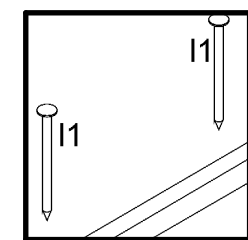
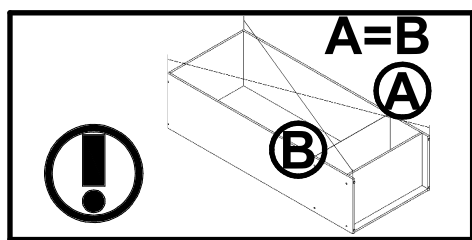
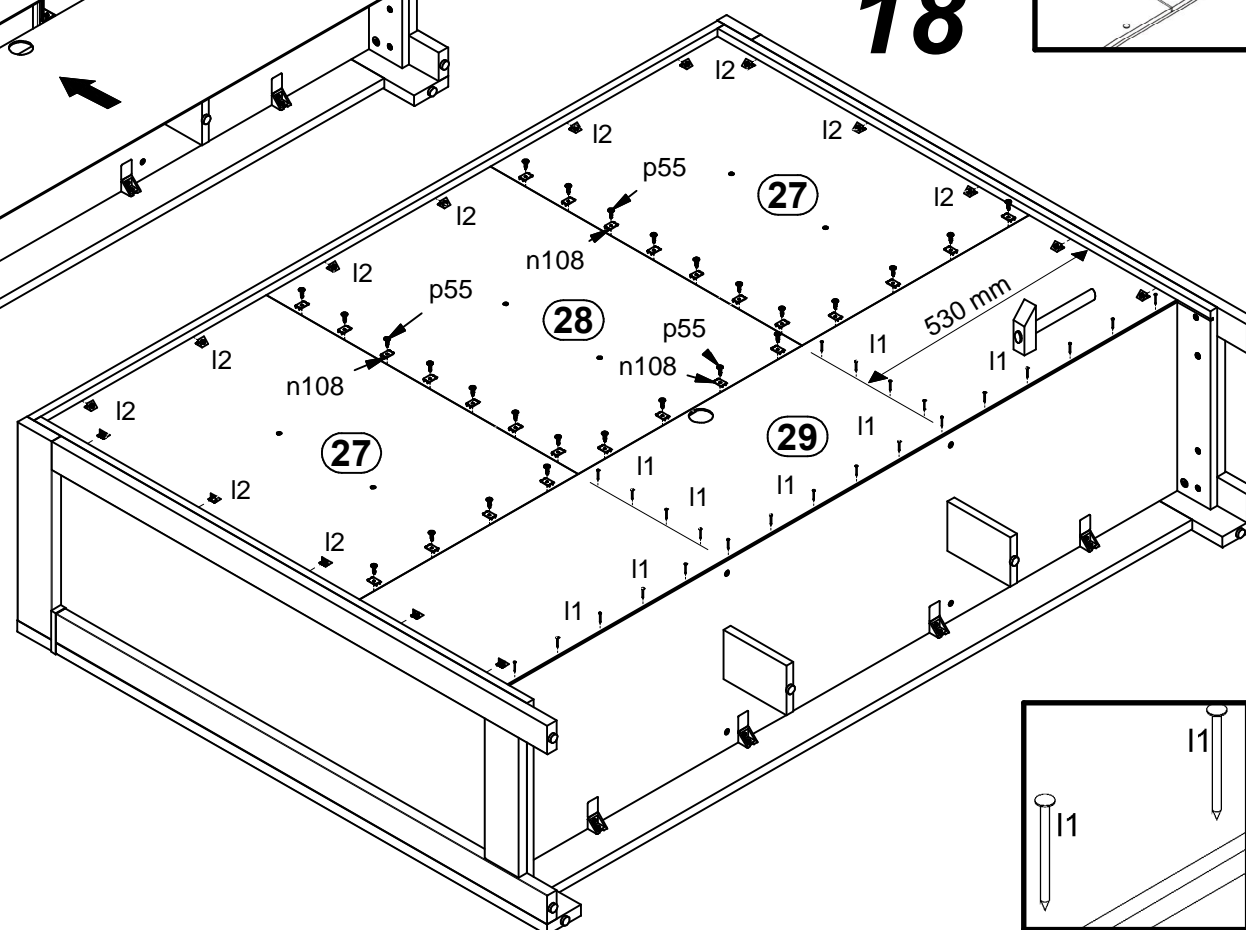
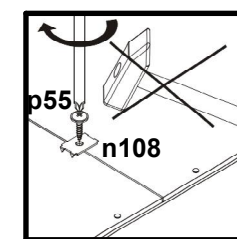
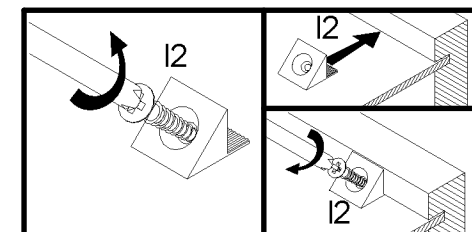
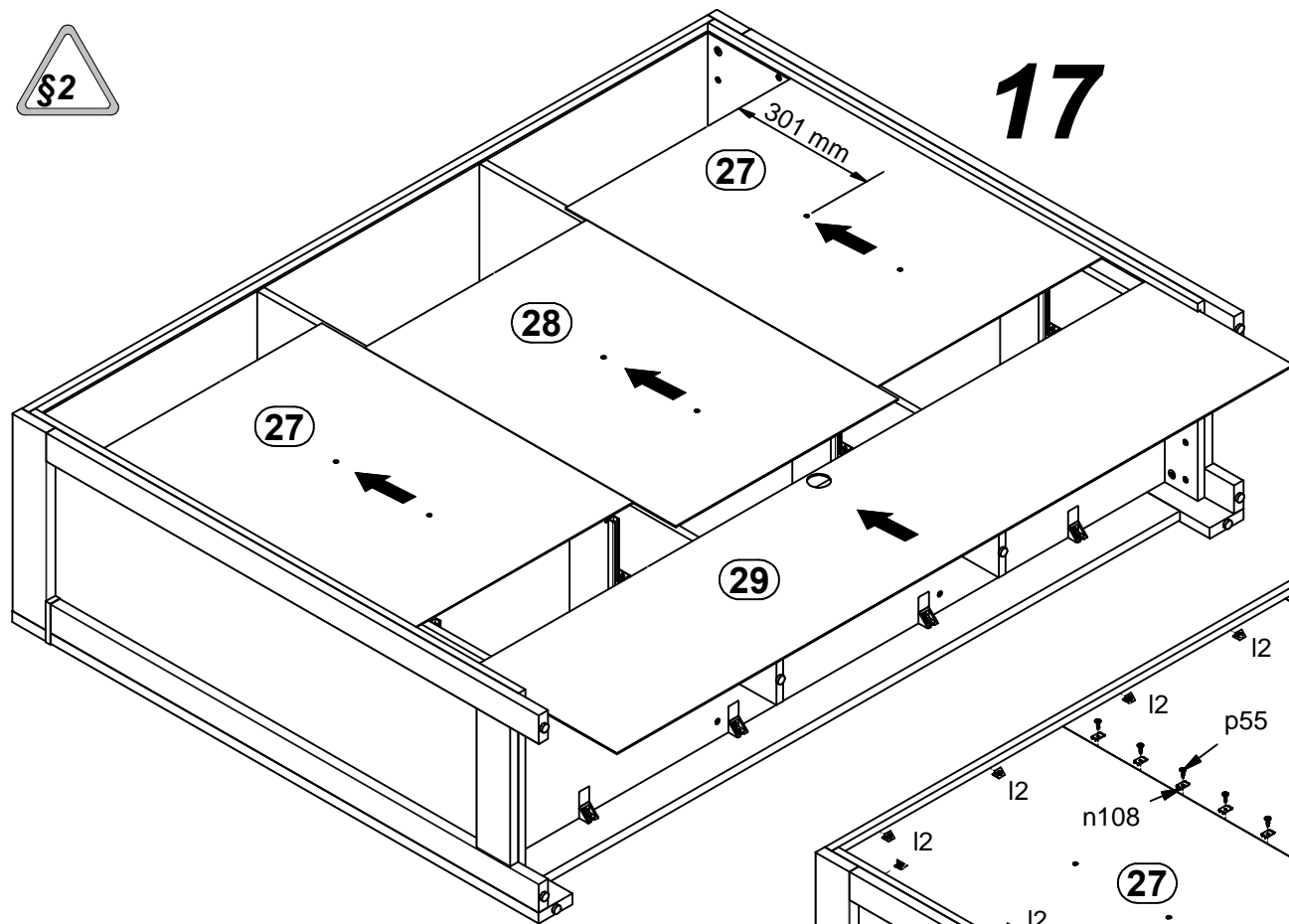


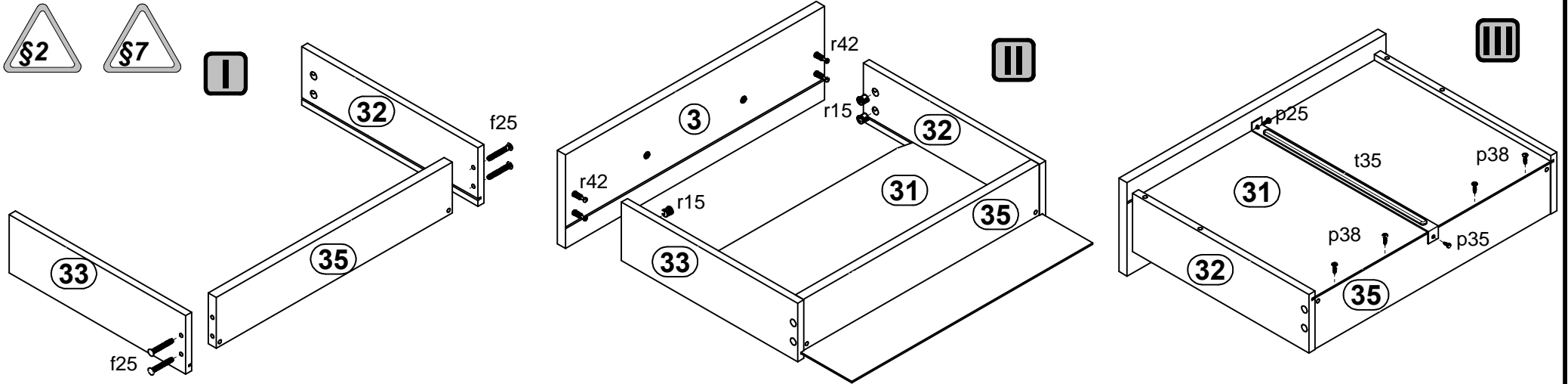
10



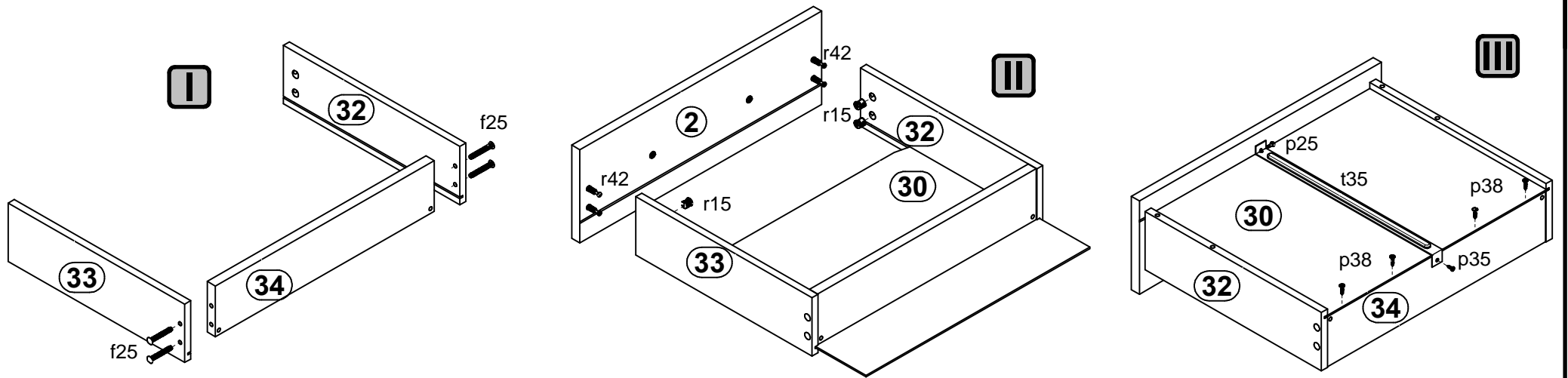
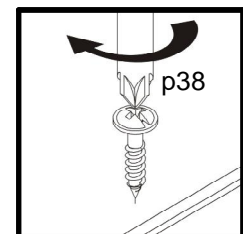
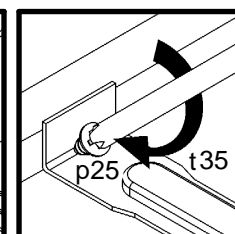
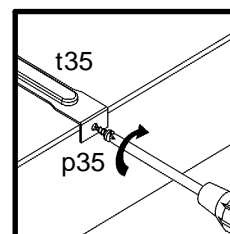
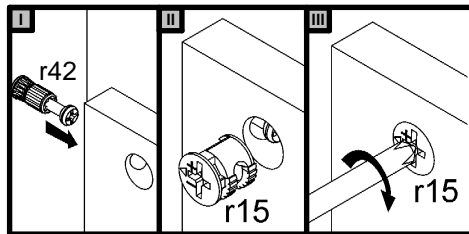
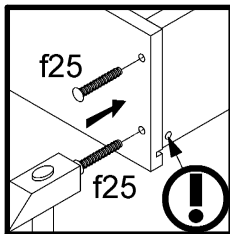
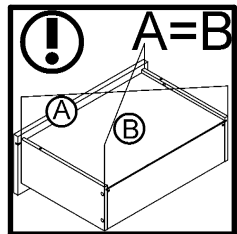






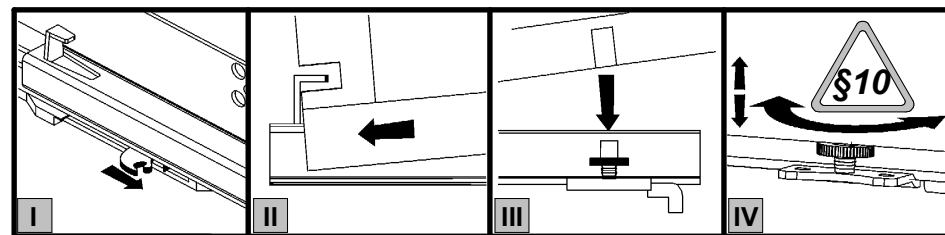
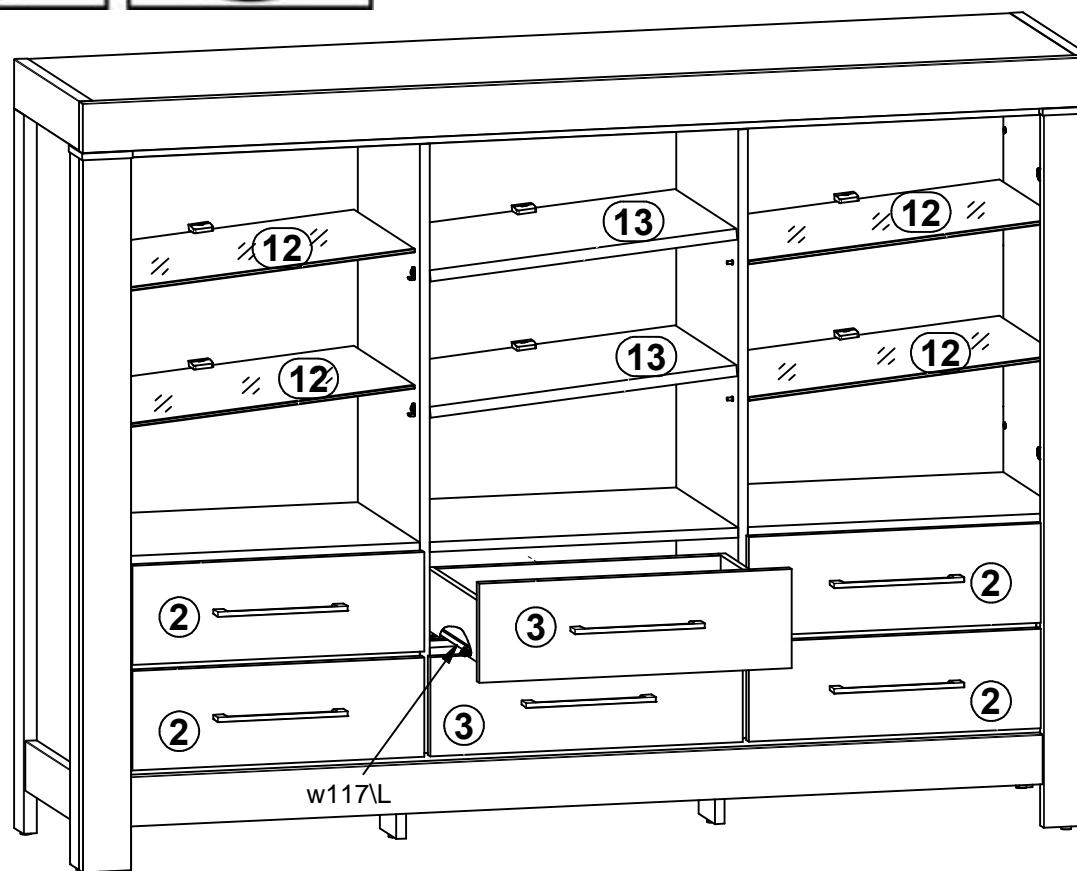
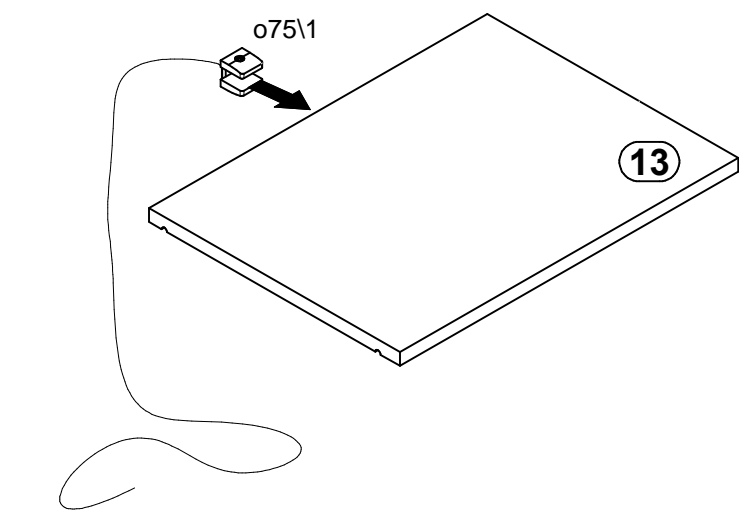
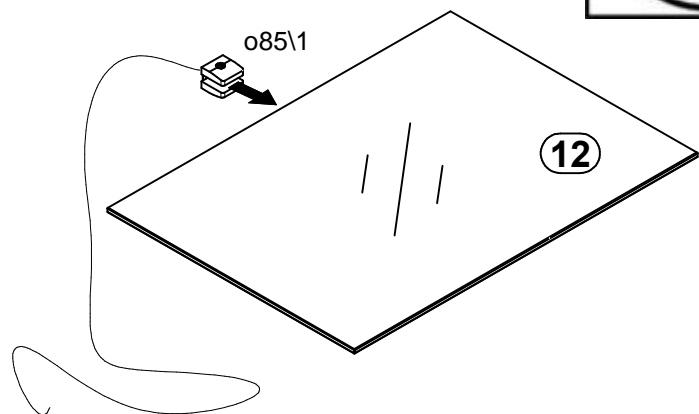
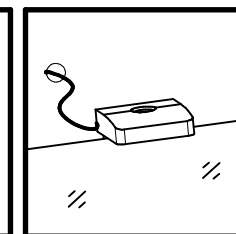
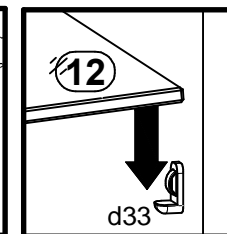
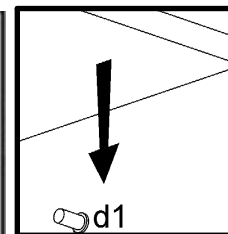
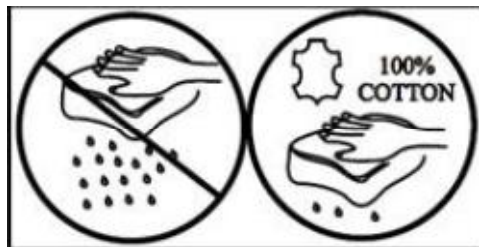


19





20





21

