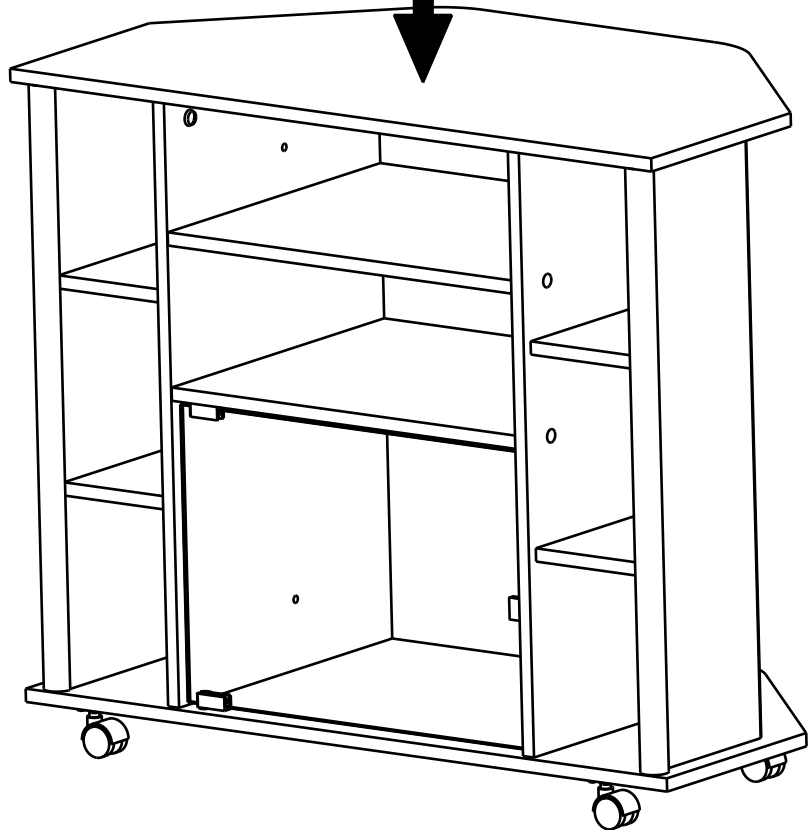
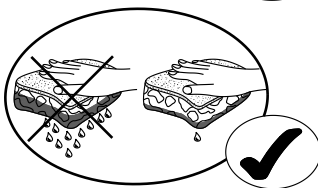
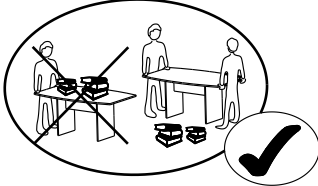
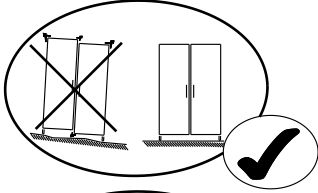
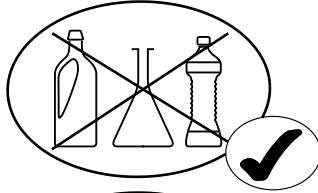


# 30 Kgs MAXI



### 1H 30MN



**(FR) SECURITE**  
 RESPECTER LES INSTRUCTIONS DE MONTAGE DECRITES DANS LA NOTICE.

**(EN) CAUTION**  
 FOLLOW CAREFULLY THE ASSEMBLING INSTRUCTIONS DESCRIBED IN THE DIRECTIONS.

**(DE) SICHERHEITSVORSCHRIFTEN**  
 BEACHTEN SIE BITTE UNBEDINGT DIE ANGEGBENEN AUFBAUVORSCHRIFTEN.

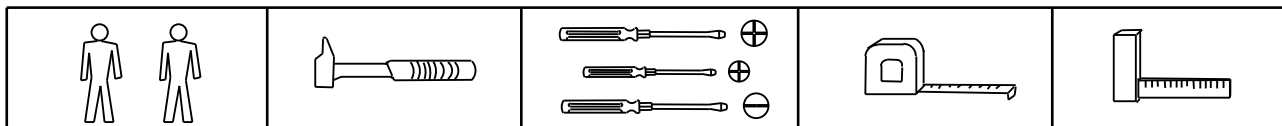
**(ES) SEGURIDAD**  
 RESPECTAR LAS INSTRUCCIONES DE MONTAJE DESCRIBIDAS EN EL FOLLETO.

**(NL) VEILIGHEID**  
 DE IN DE GEBRUIKSAANWIJZING BESCHREVEN INSTRUCTIES RESPECTEREN.

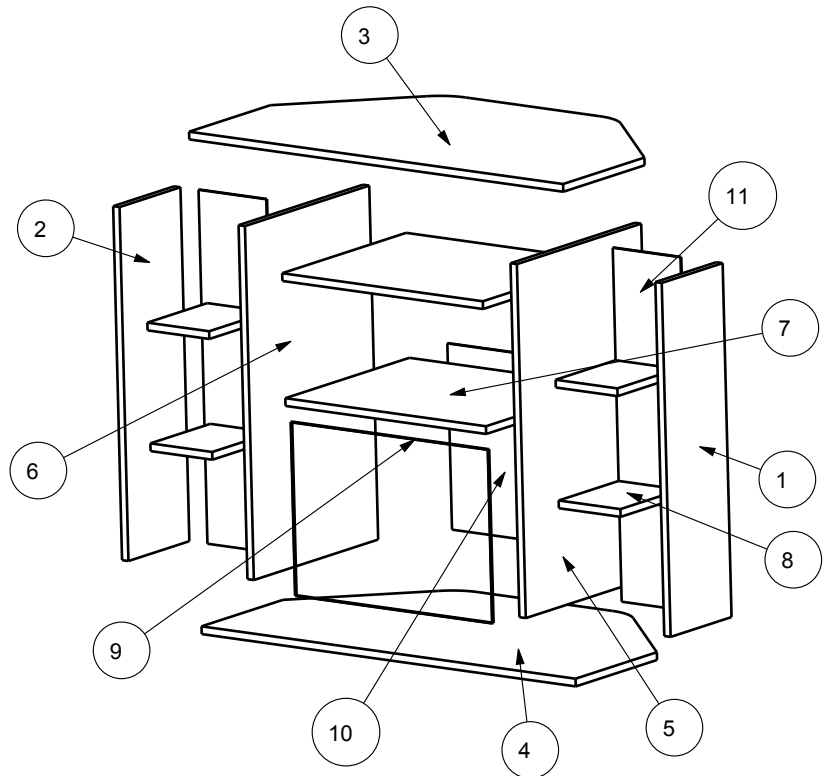
**(IT) SICUREZZA**  
 RISPETTARE LE INSTRUZIONI DI MONTAGGIO DESCRITTE NEEL'AVVERTENZA.


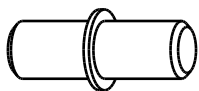
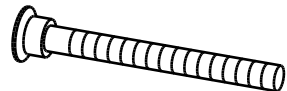

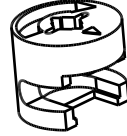
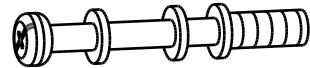


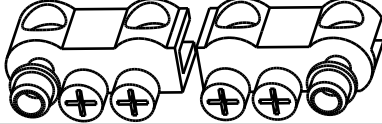
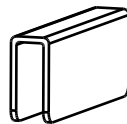
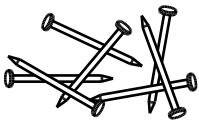

**(PT) SEGURANCA**  
 RESPEITAR AS INSTURAÇOS DE MONTAGEM DESCRÉVEDAS NA INSTRUÇOES DE USO.

**(PL) UWAGA**  
 PROSZE PRZESTRZEGAC INSTRUKCJI MONTAZU.



| REP | DIM       | QTE |
|-----|-----------|-----|
| 1   | 686 x 194 | 1   |
| 2   | 686 x 194 | 1   |
| 3   | 878 x 499 | 1   |
| 4   | 878 x 499 | 1   |
| 5   | 686 x 396 | 1   |
| 6   | 686 x 396 | 1   |
| 7   | 471 x 395 | 2   |
| 8   | 145 x 191 | 4   |
| 9   | 337 x 463 | 1   |
| 10  | 498 x 361 | 1   |
| 11  | 686 x 159 | 2   |



|  |   |   |
|--|---|---|
| 728 X4<br><br>5x30          | 706 X 16<br>               | 340750 X 16<br><br>6 PANS 7x50 |
| 916 X 16<br><br>VBA TR 4x13 | 71 X4<br><br>Ht : 11,9mm   | 70 X 4<br>                     |
| 547 X 1<br>                 | 907 X 2<br><br>VBA TR 3x16 | 401 X 1<br>                    |
| 586 X 1<br>                 | 604757 X1<br><br>x30       | 737 X 6<br>                    |



|        |     |
|--------|-----|
| 331144 | X 1 |
|        |     |

|            |     |
|------------|-----|
| 316077     | X 2 |
|            |     |
| Lg: 685 mm |     |

|        |     |
|--------|-----|
| 340279 | X 8 |
|        |     |

|     |    |
|-----|----|
| 666 | X4 |
|     |    |

|     |    |
|-----|----|
| 434 | X1 |
|     |    |

|      |    |
|------|----|
| 732  | X1 |
|      |    |
| GLUE |    |

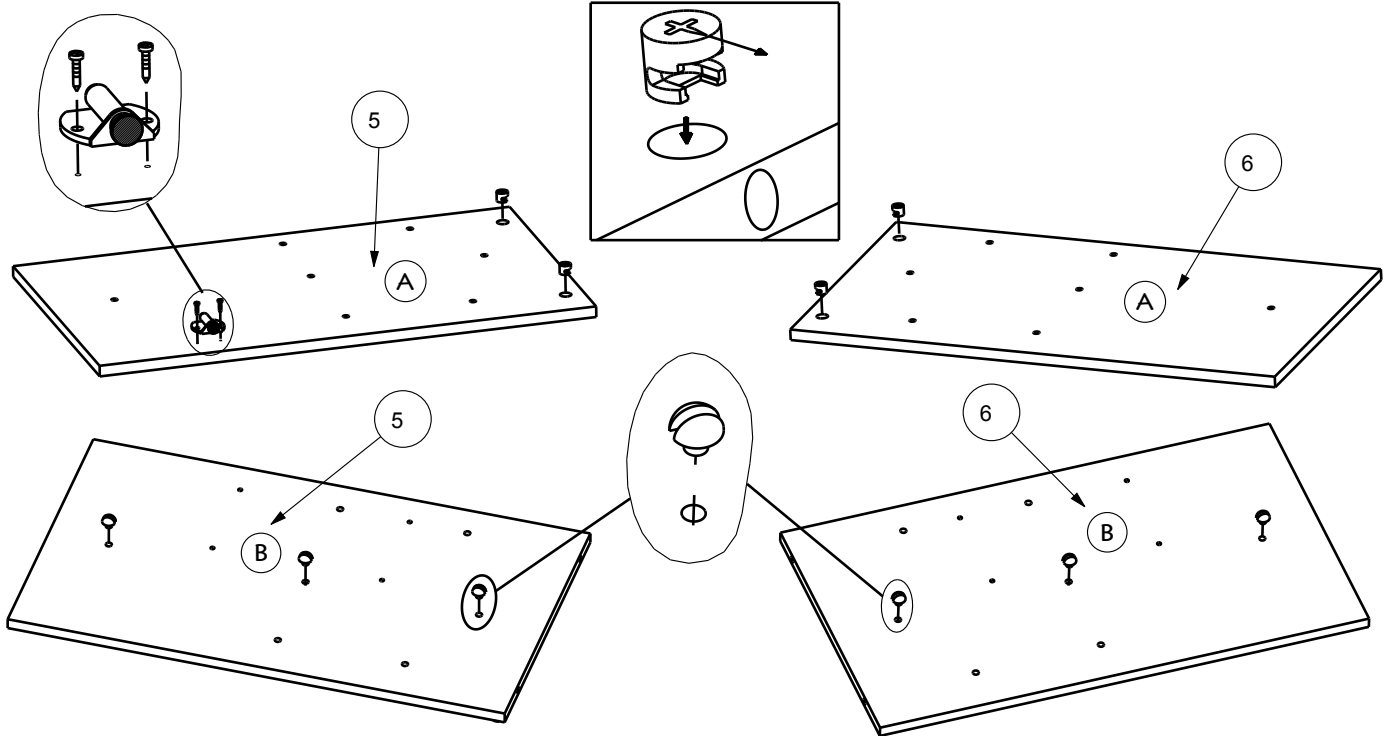
1

|             |    |
|-------------|----|
| 71          | X4 |
|             |    |
| Ht : 11,9mm |    |

|     |     |
|-----|-----|
| 547 | X 1 |
|     |     |

|             |     |
|-------------|-----|
| 907         | X 2 |
|             |     |
| VBA TR 3x16 |     |

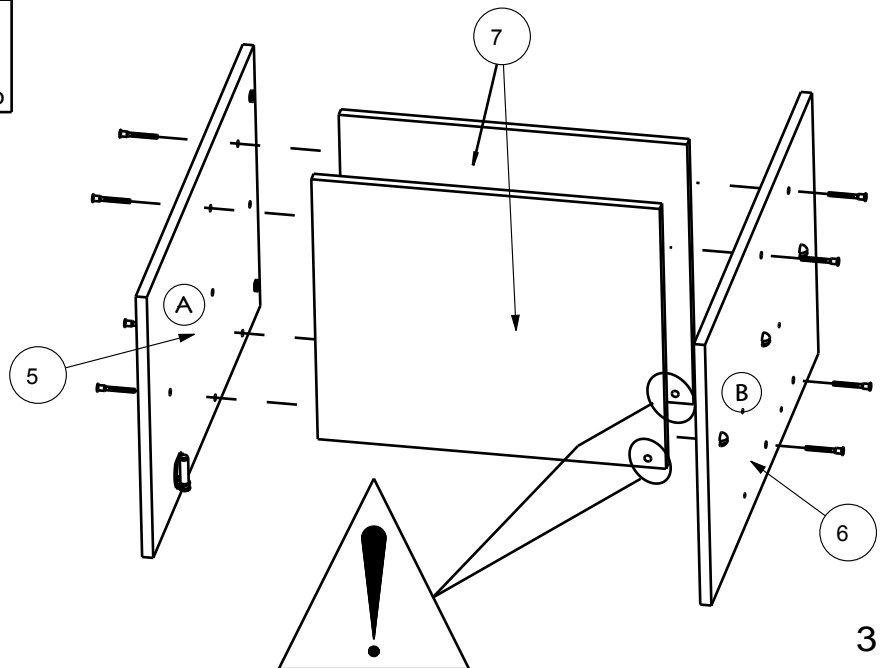
|     |     |
|-----|-----|
| 737 | X 6 |
|     |     |



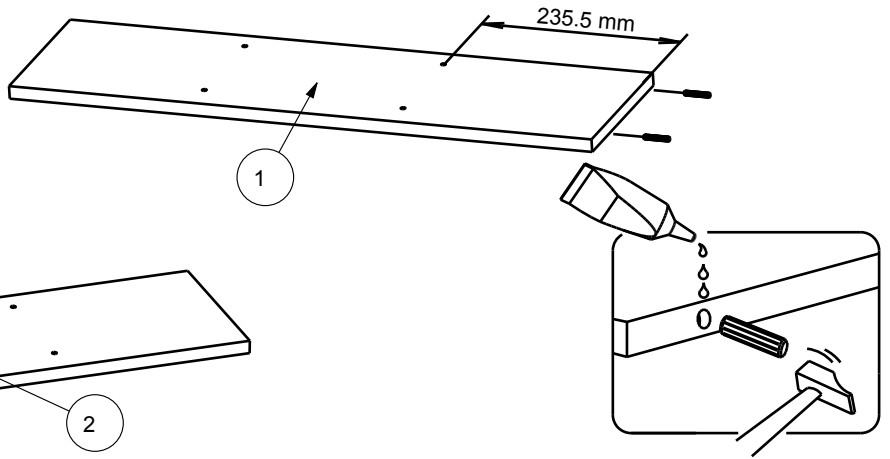
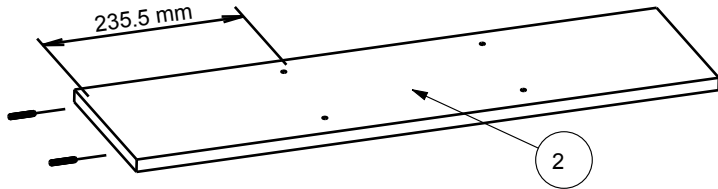
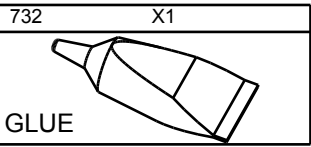
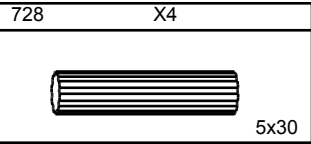
2

|             |     |
|-------------|-----|
| 340750      | X 8 |
|             |     |
| 6 PANS 7x50 |     |

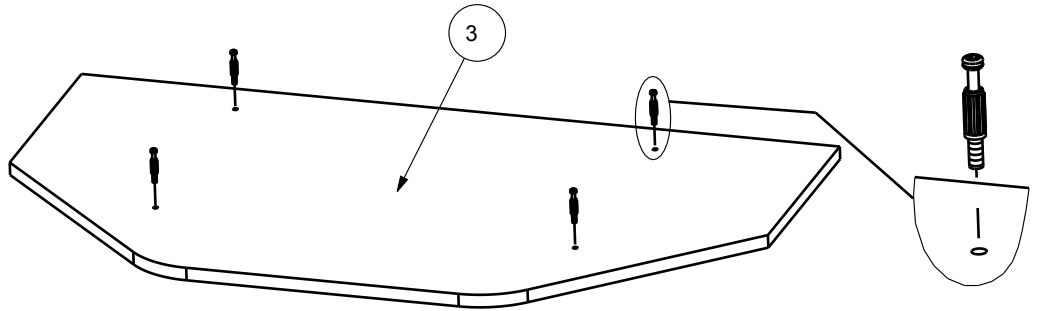
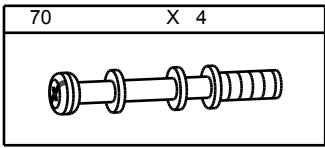
|     |    |
|-----|----|
| 434 | X1 |
|     |    |



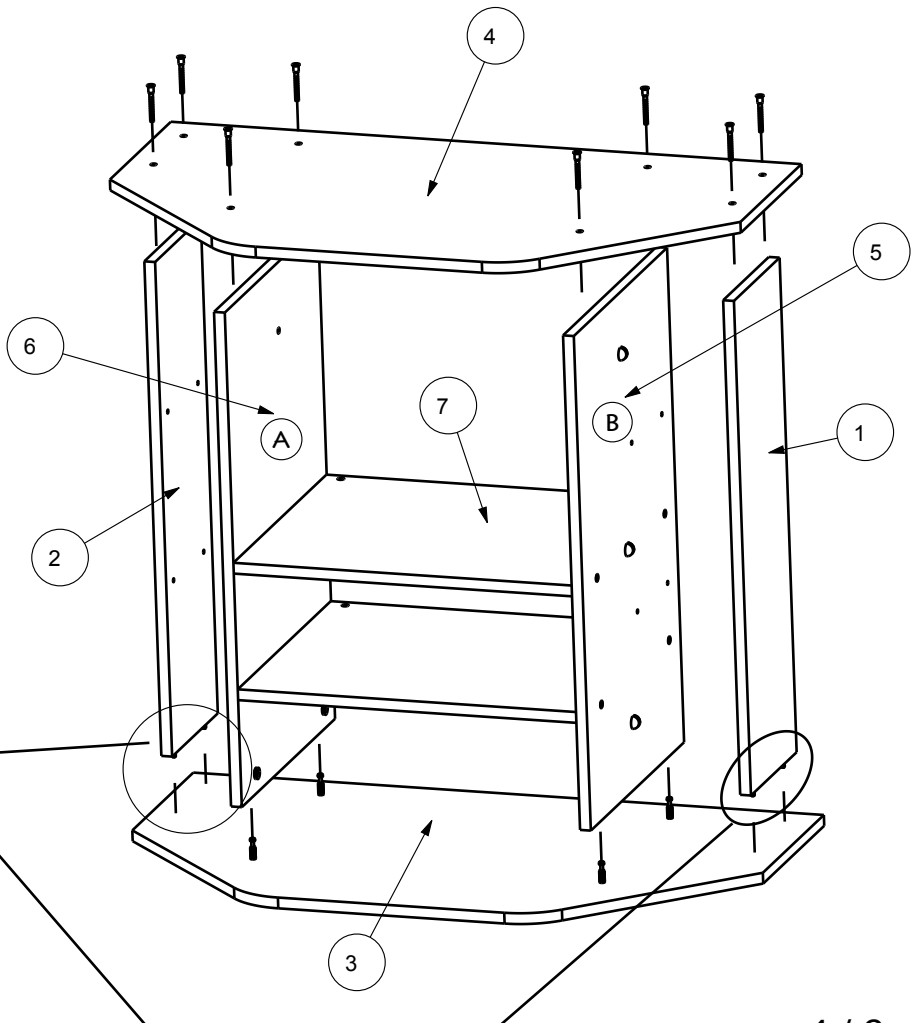
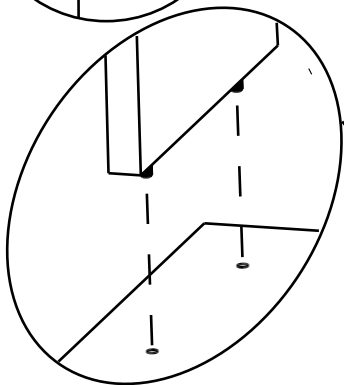
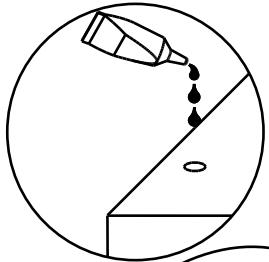
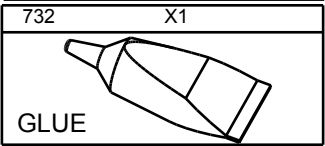
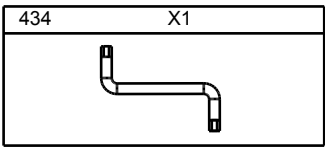
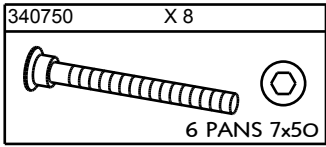
3



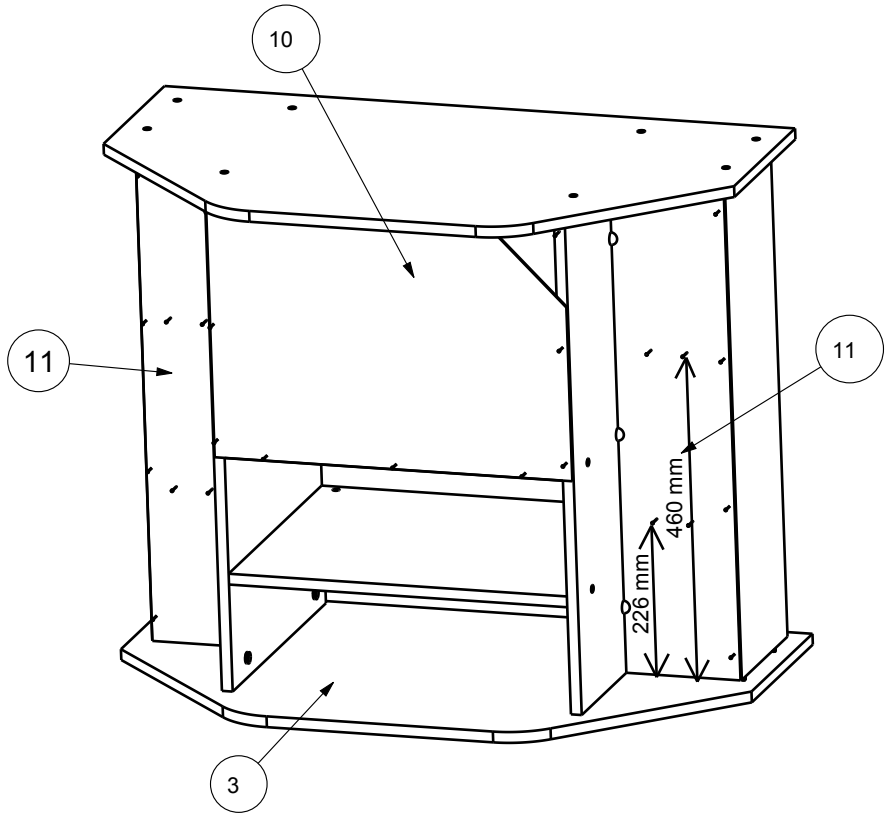
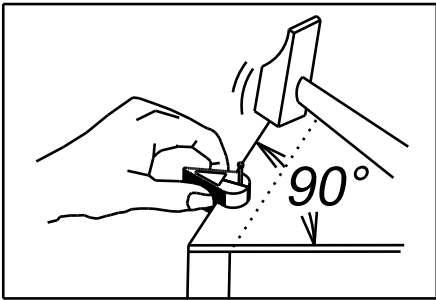
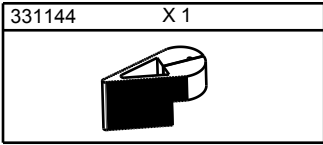
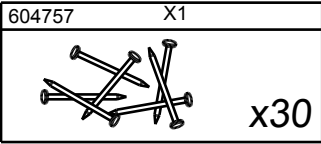
4



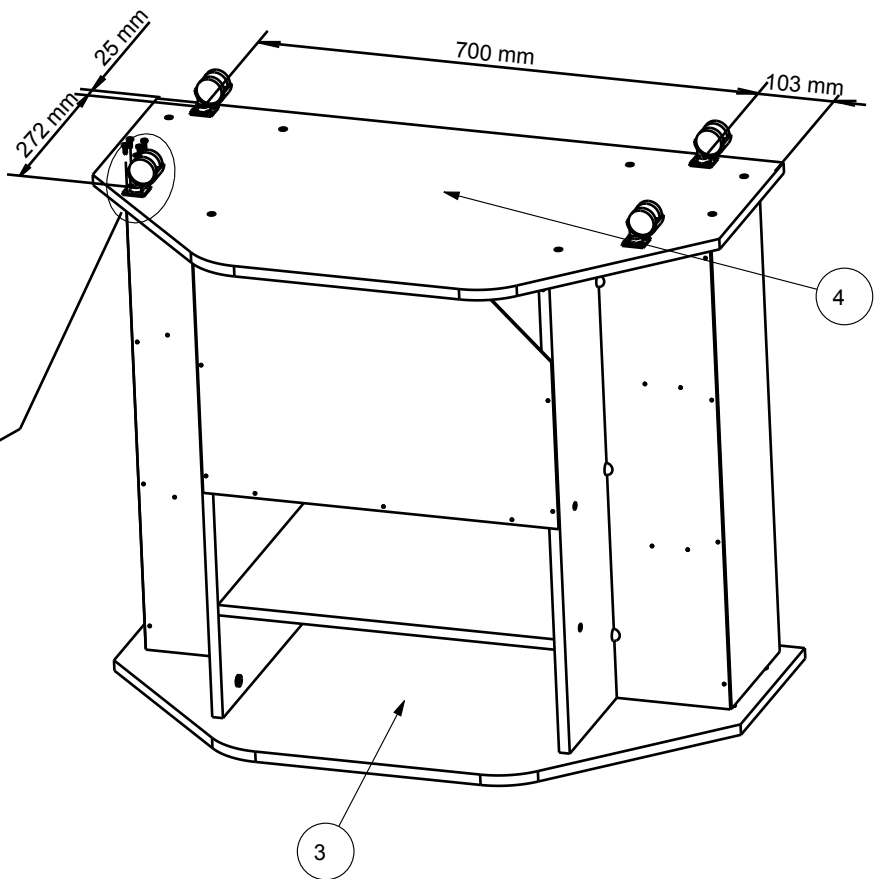
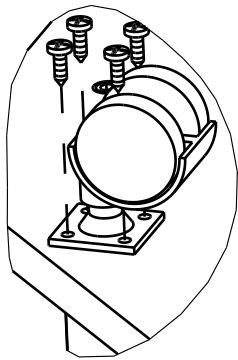
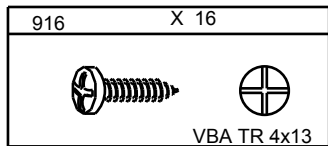
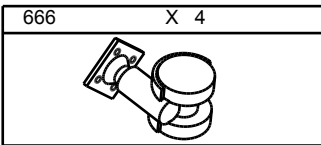
5



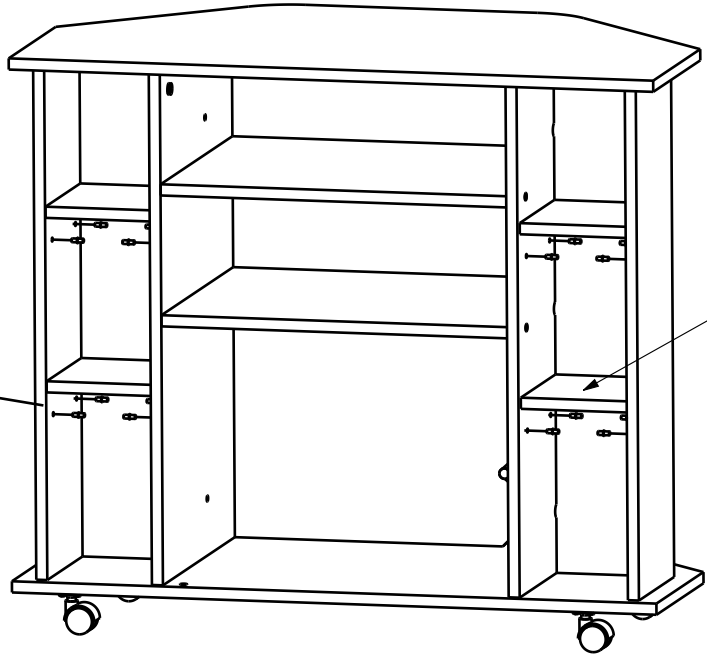
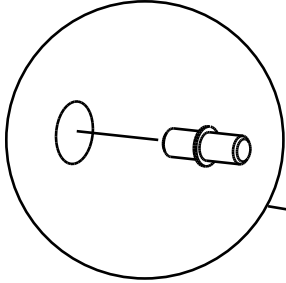
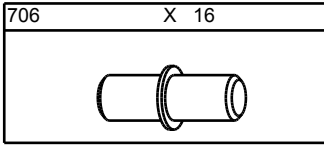
6



7



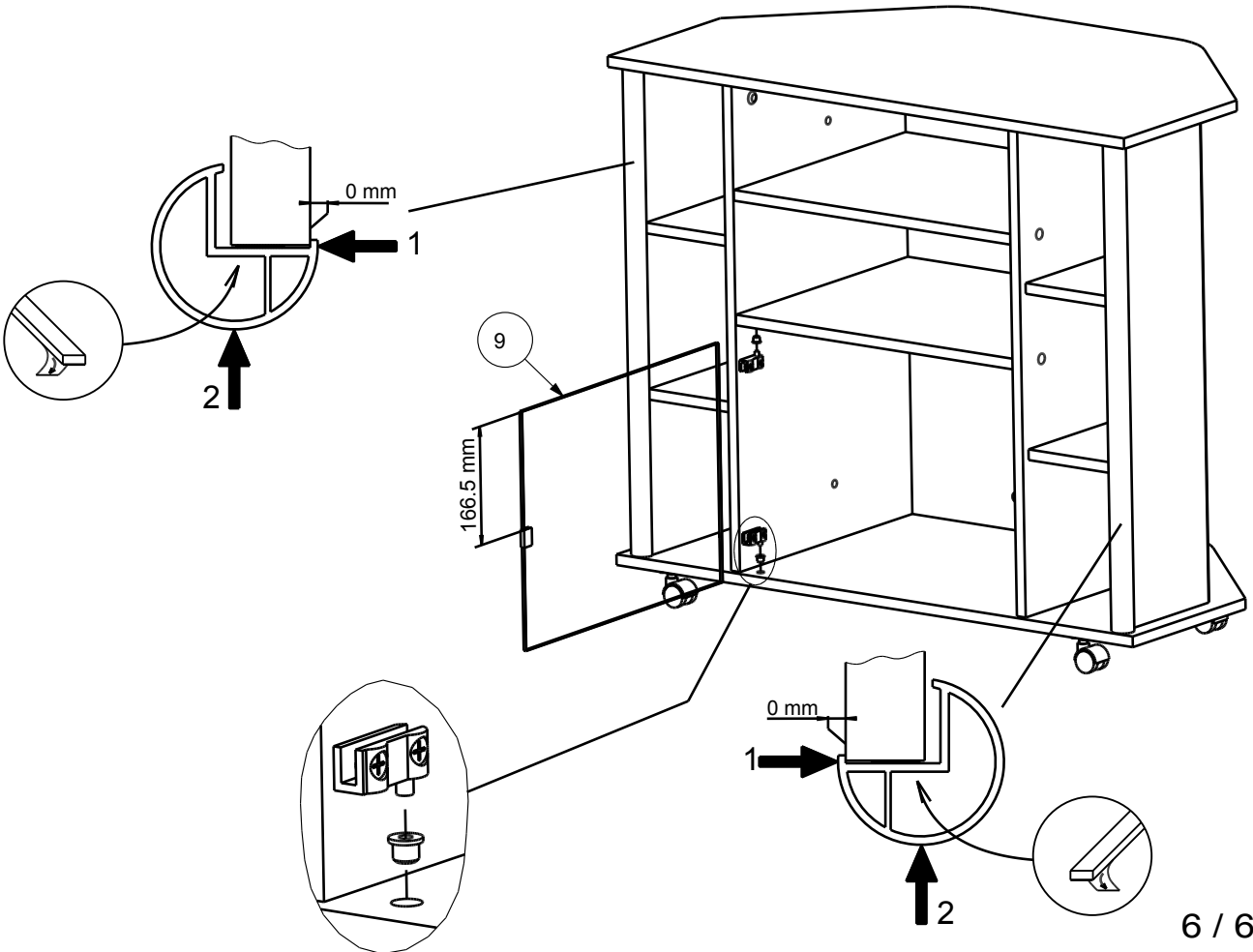
8



8

9

|     |     |     |     |                |     |        |     |
|-----|-----|-----|-----|----------------|-----|--------|-----|
| 401 | X 1 | 586 | X 1 | 316077         | X 2 | 340279 | X 8 |
|     |     |     |     | <br>Lg: 685 mm |     |        |     |



6 / 6