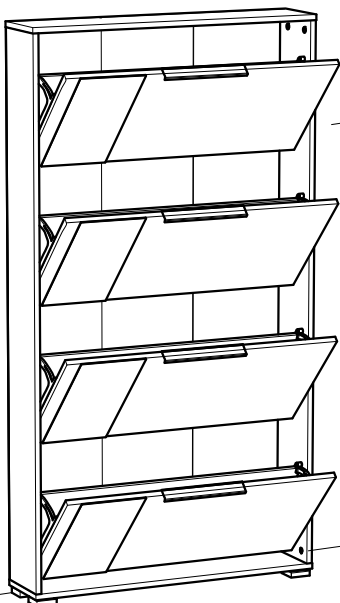
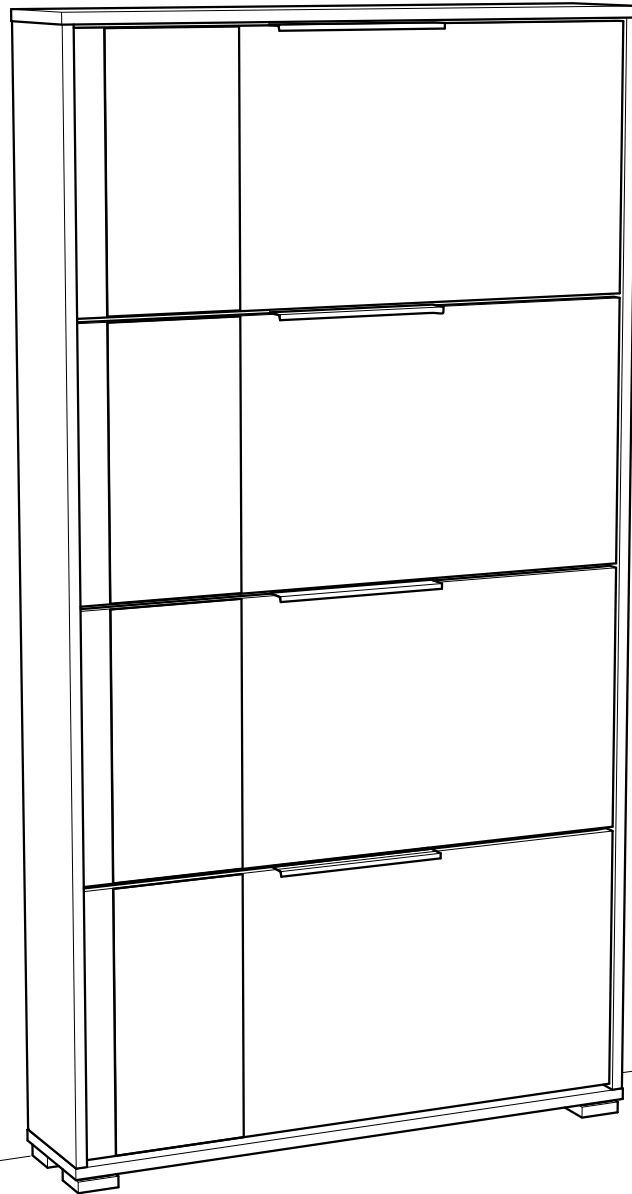
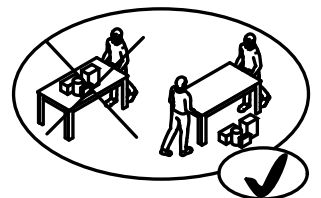
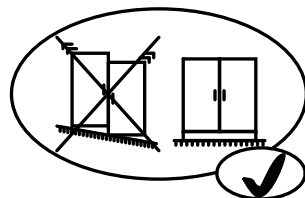
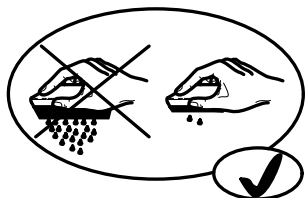
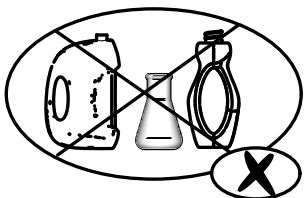
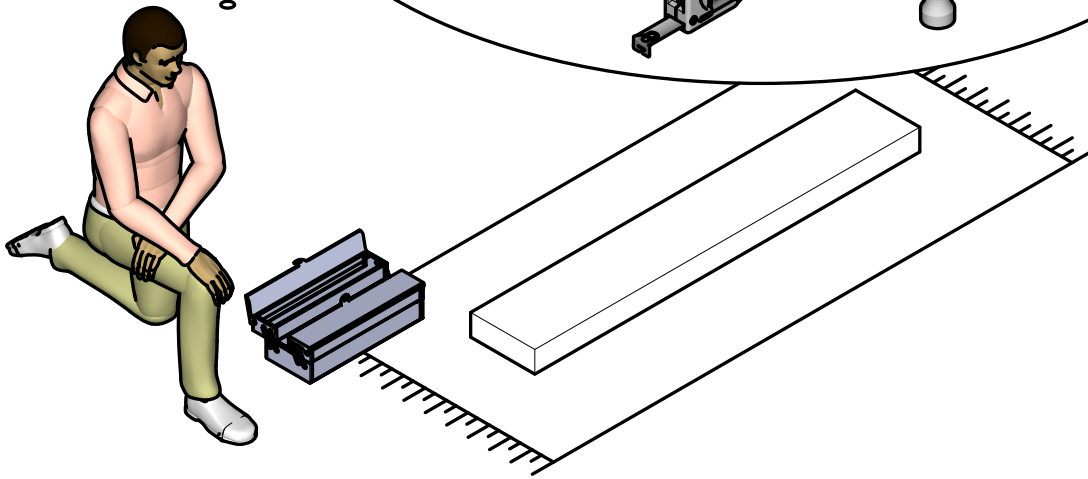
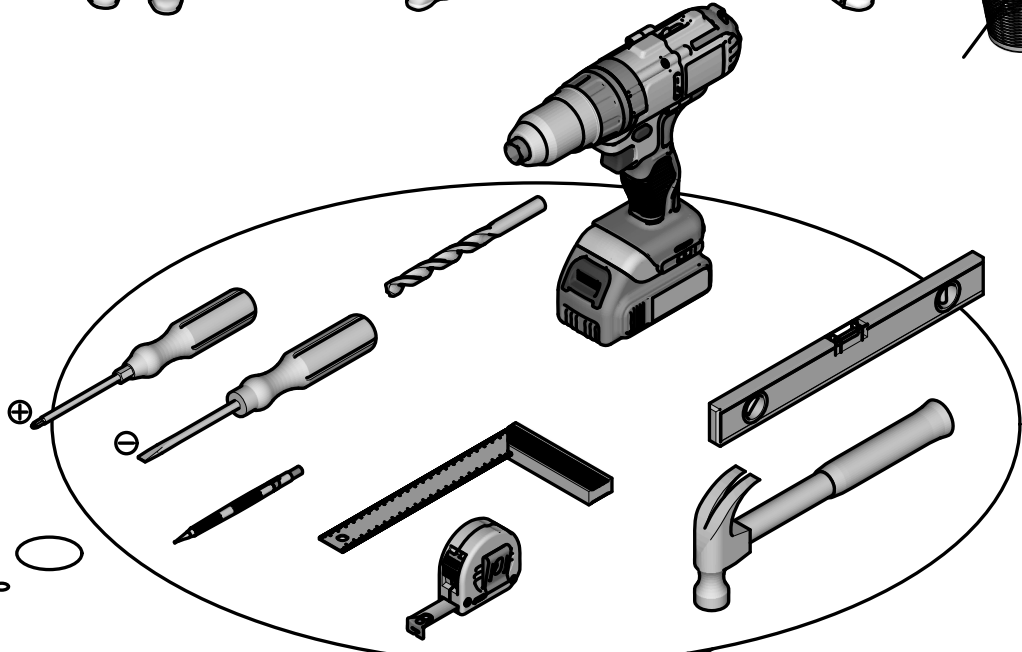
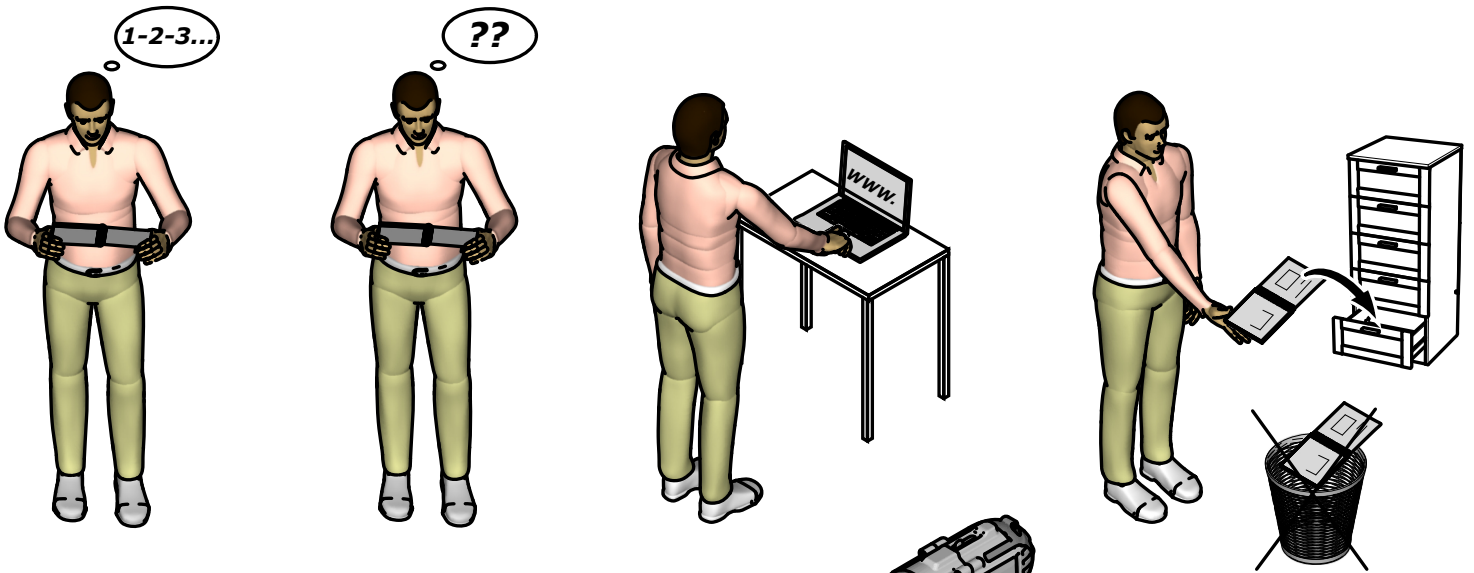




Demeyere
GROUP

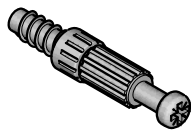
332 260-00
332 261-00







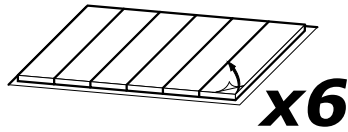
A x8



B x8



C x2



D x2



E x40



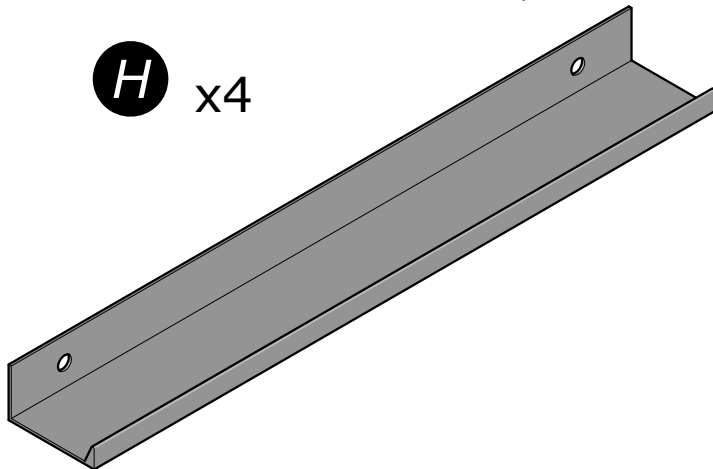
F x8



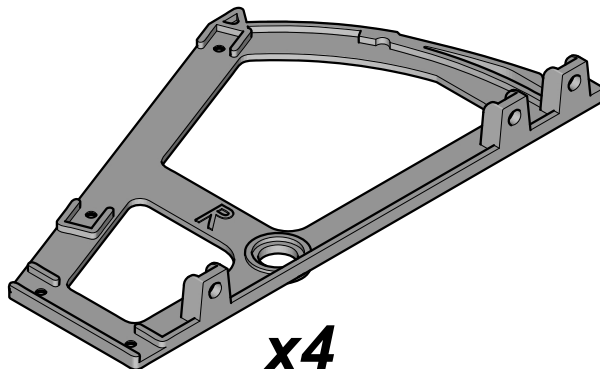
G x32



H x4



L x1



I x8



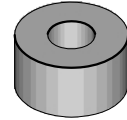
J x8



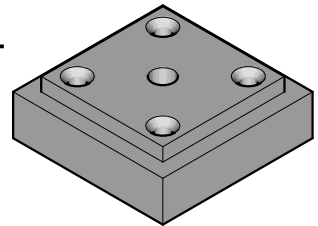
K x8



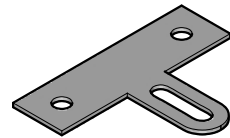
N x1



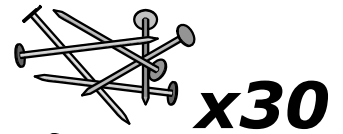
O x4



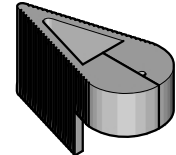
P x1



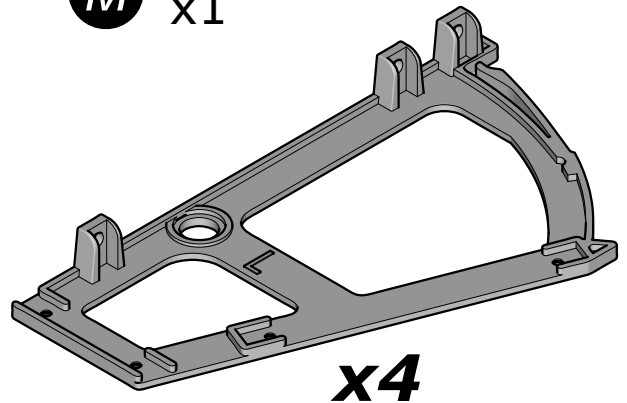
Q x1

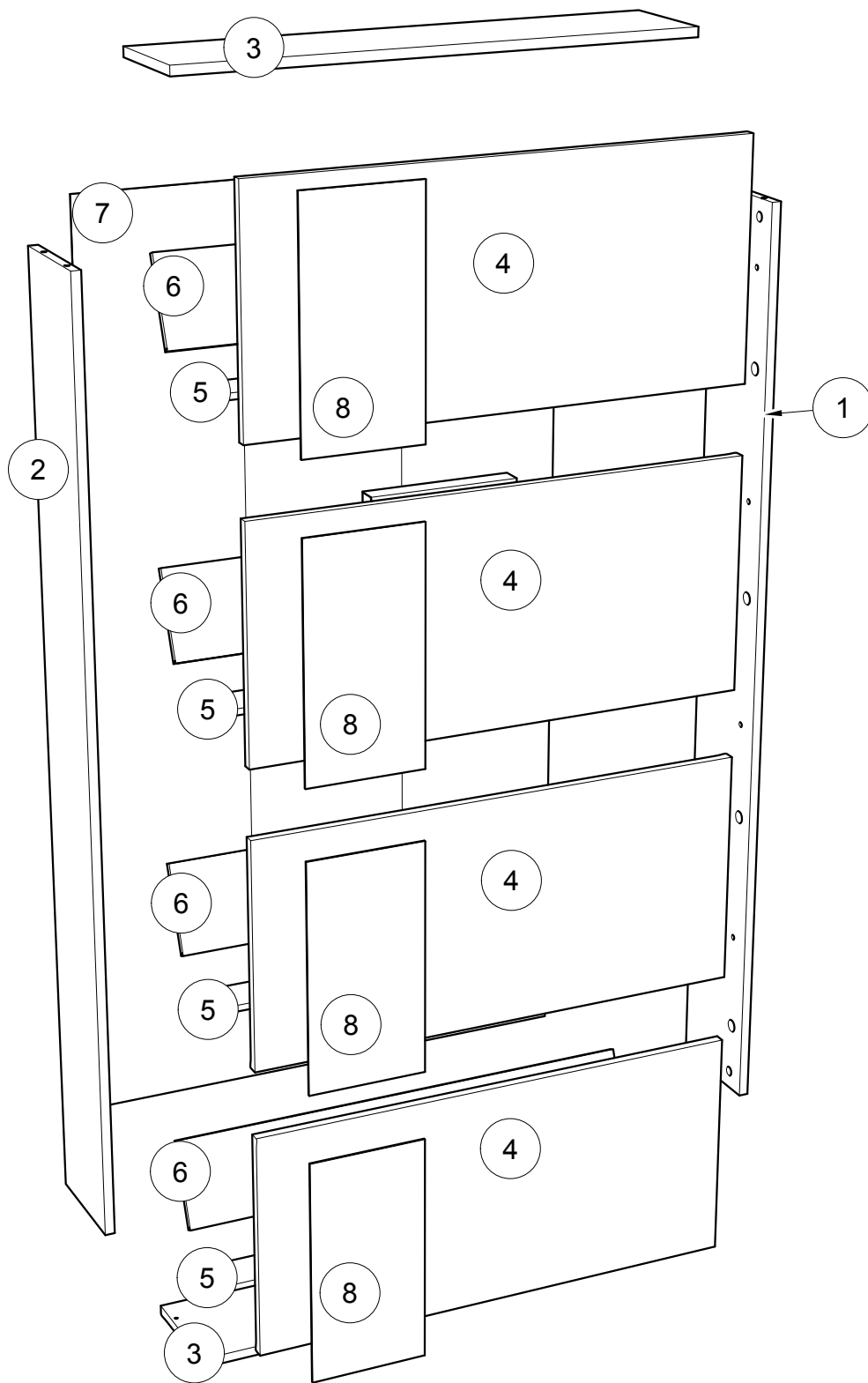


R x1

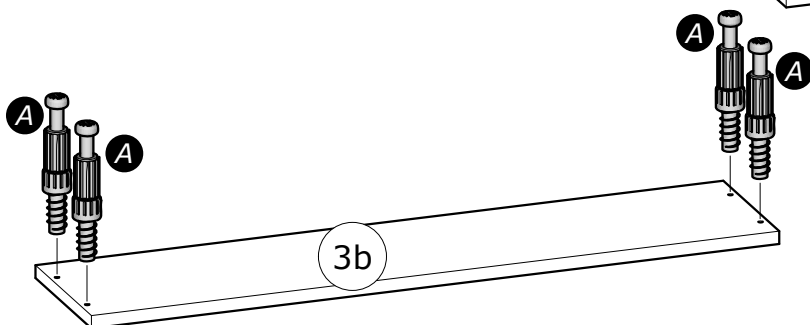
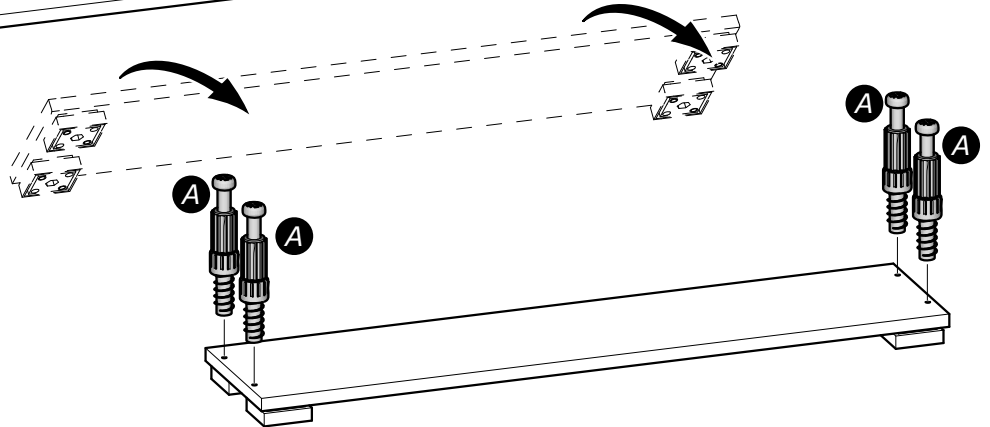
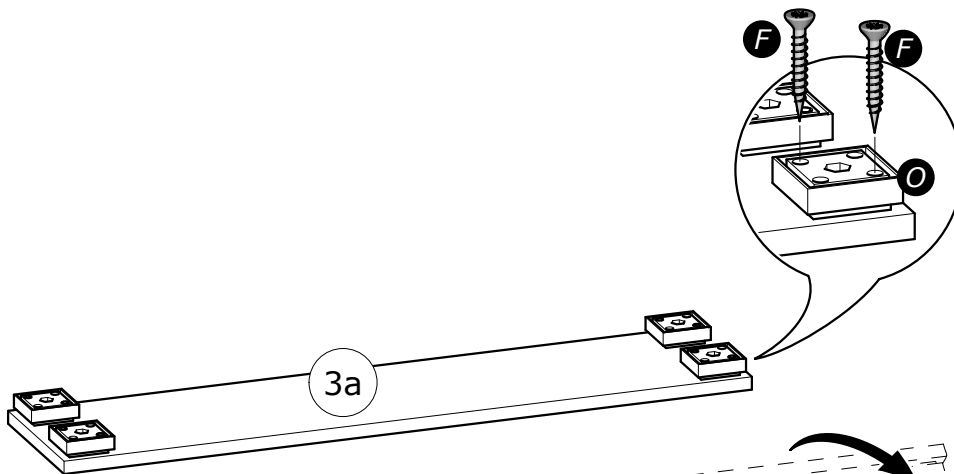
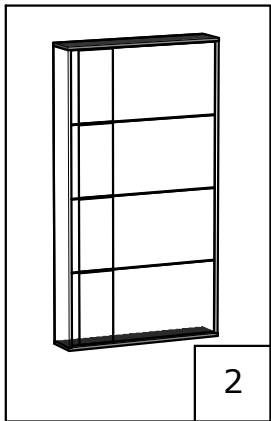
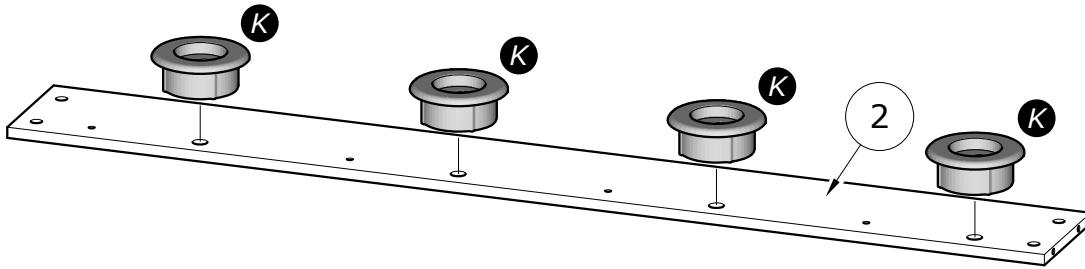
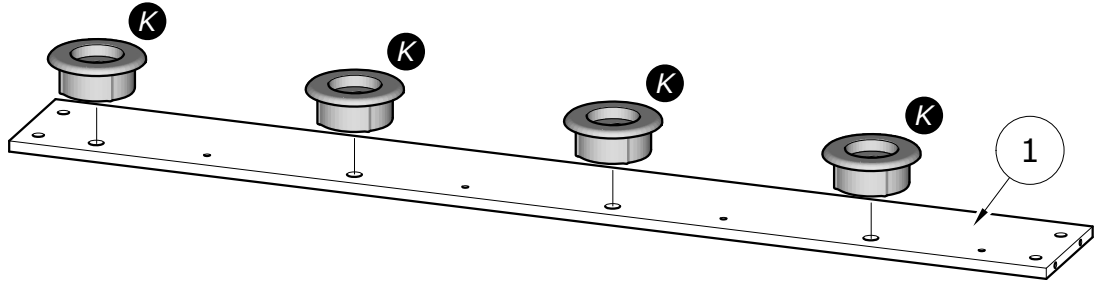
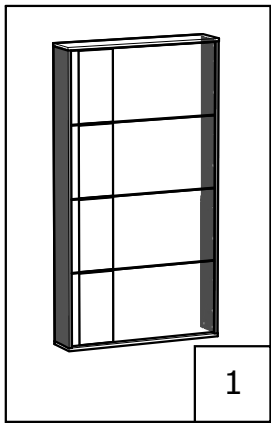


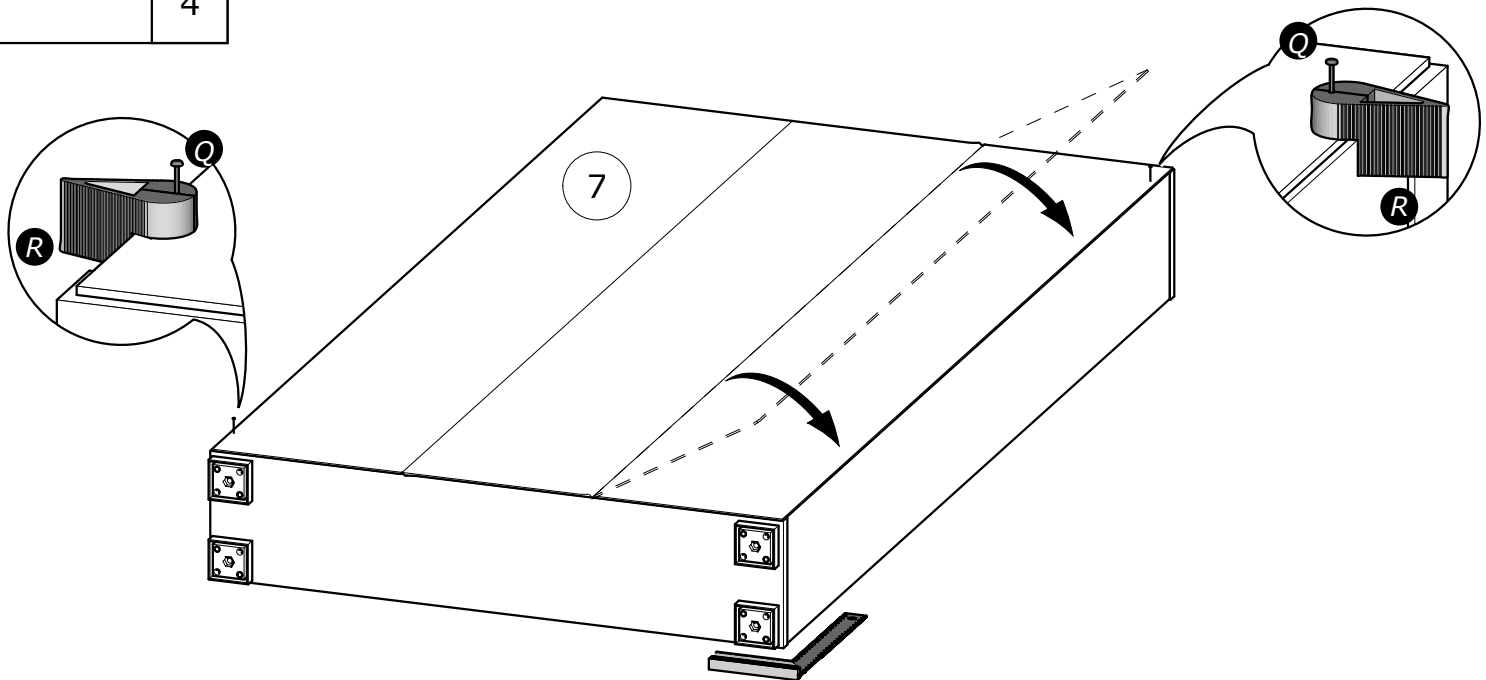
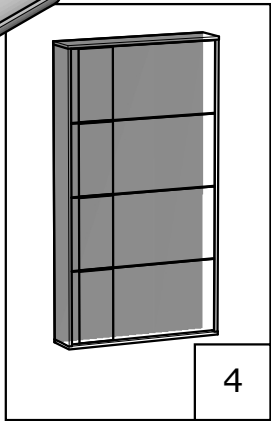
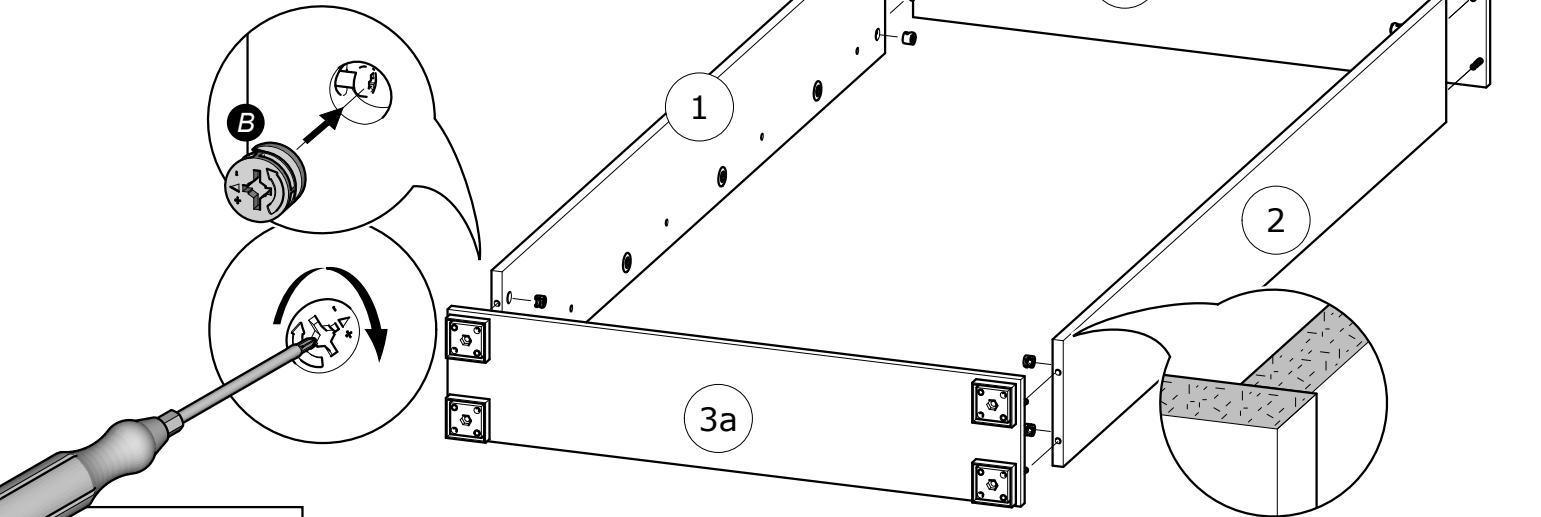
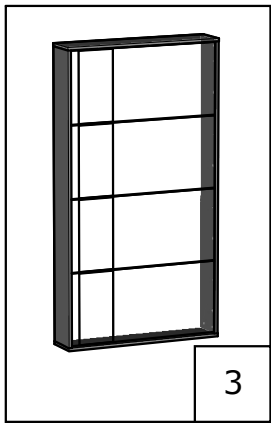
M x1

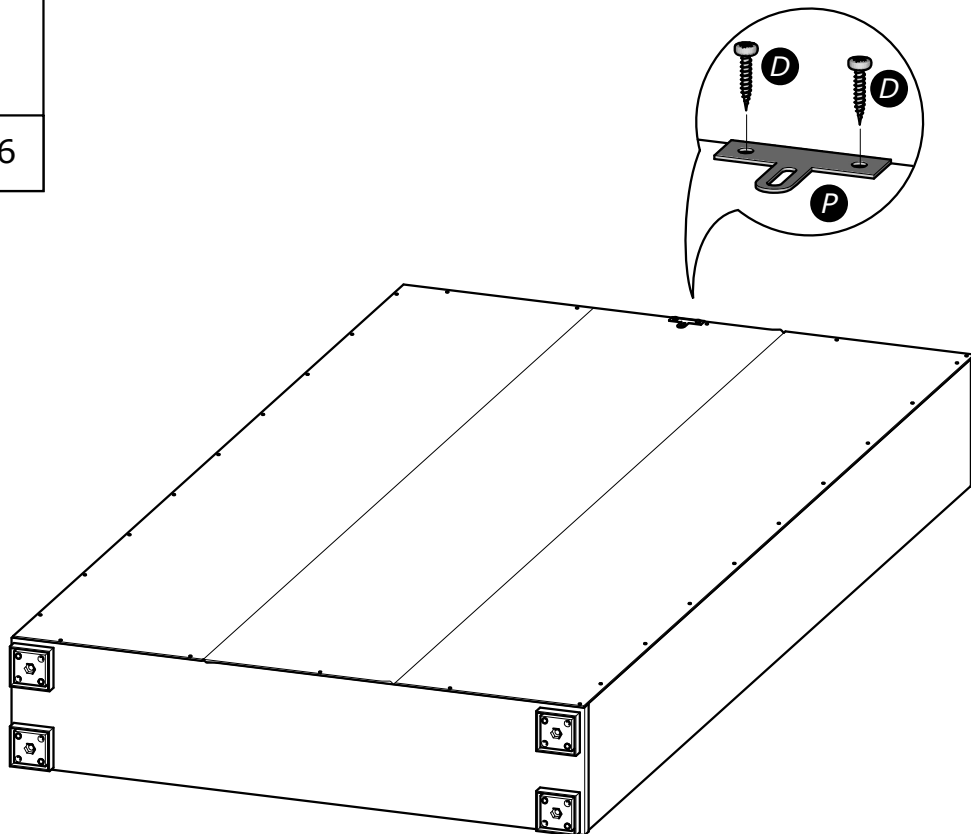
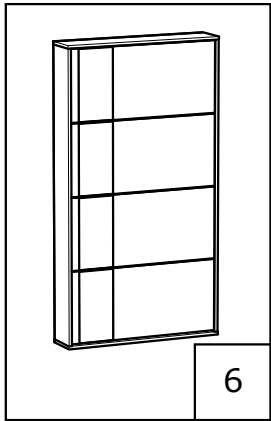
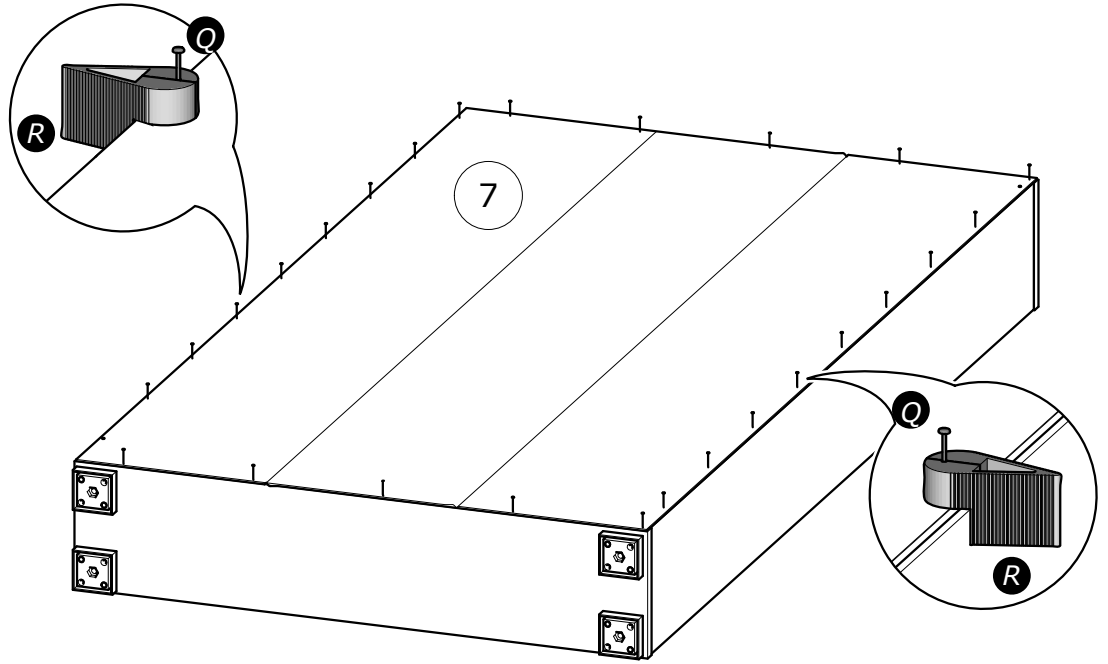
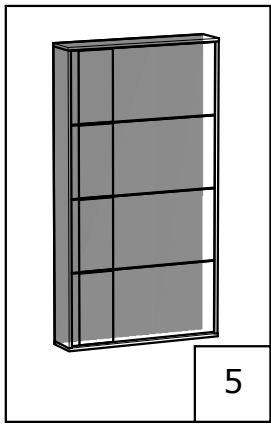


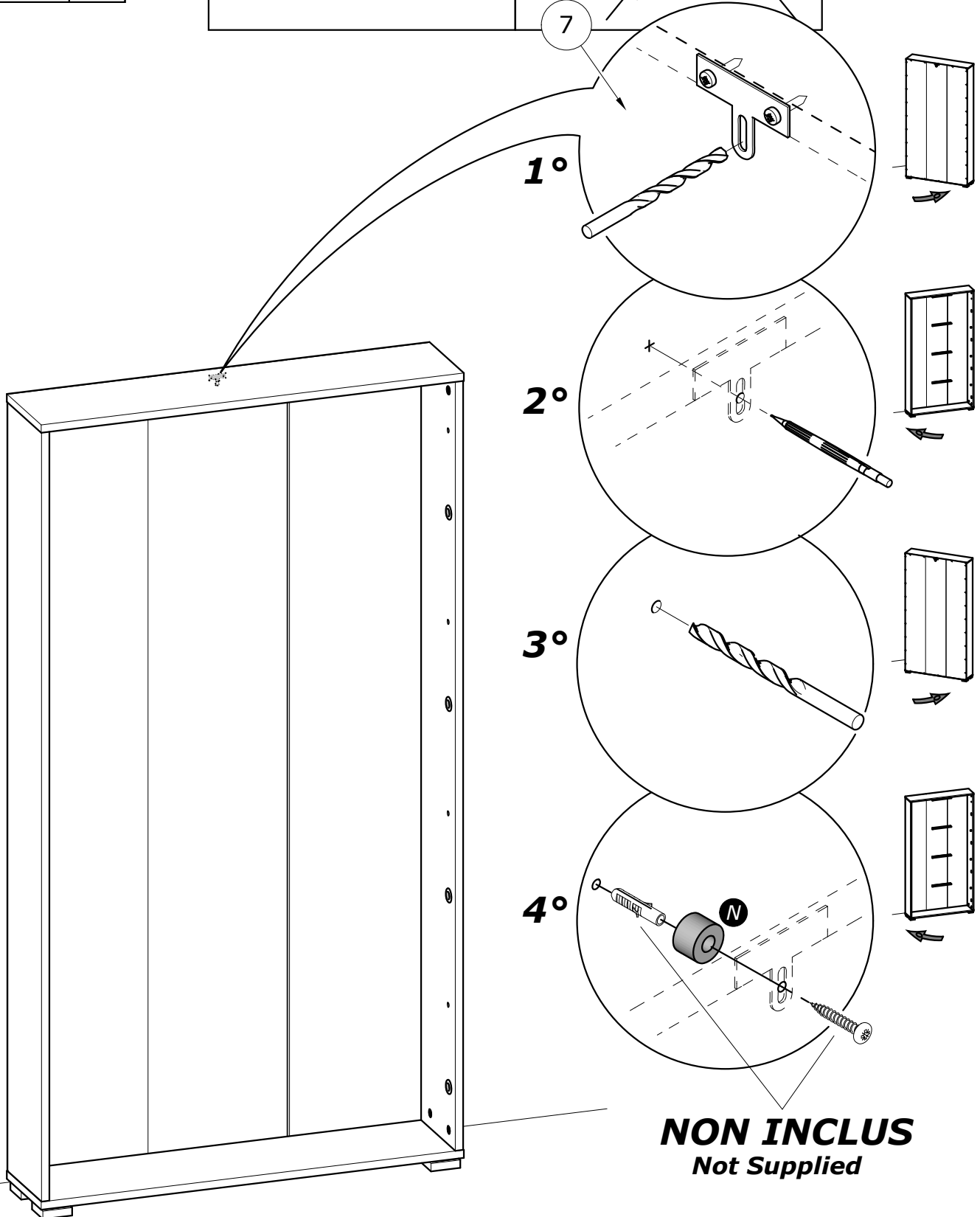
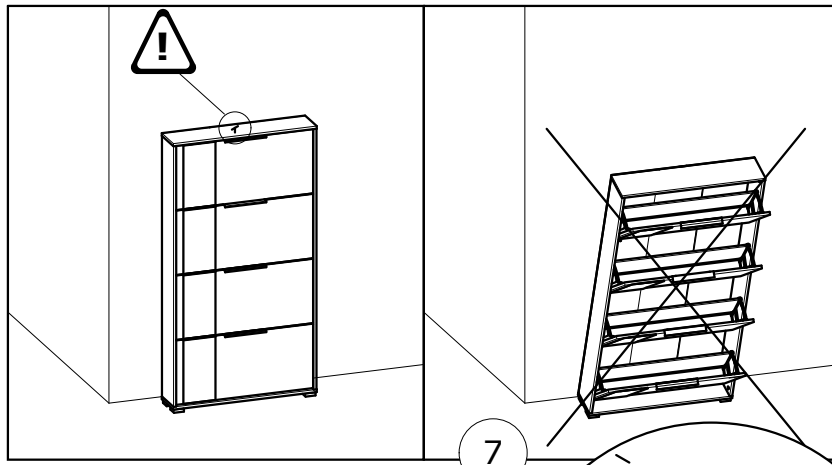
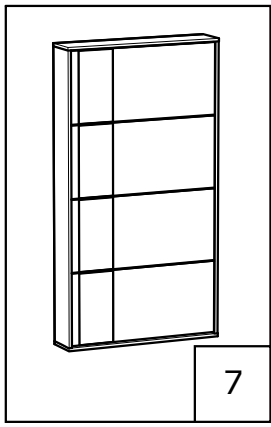


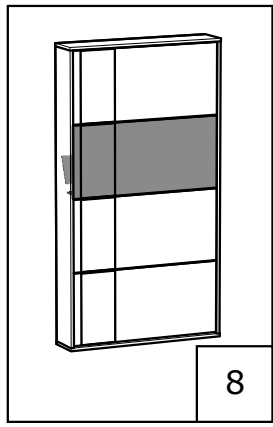
N°	Dim. (mm)	Qty.
1	1 462 x 177	x1
2	1 462 x 177	x1
3	808 x 178	x2
4	772 x 358	x4
5	764 x 70	x4
6	764 x 140	x4
7	1 490 x 804	x1
8	356 x 180	x4



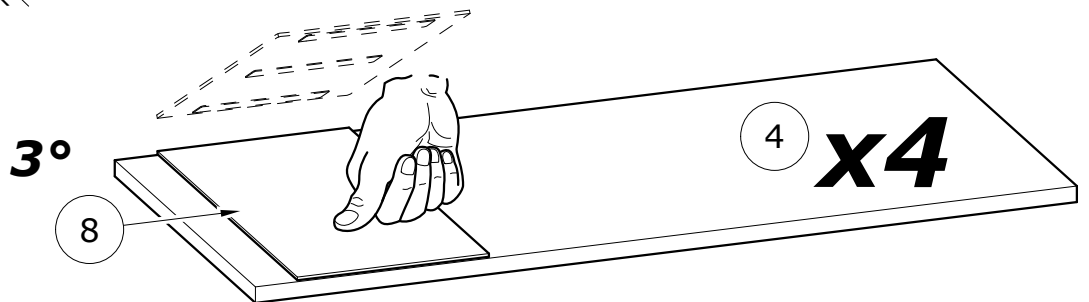
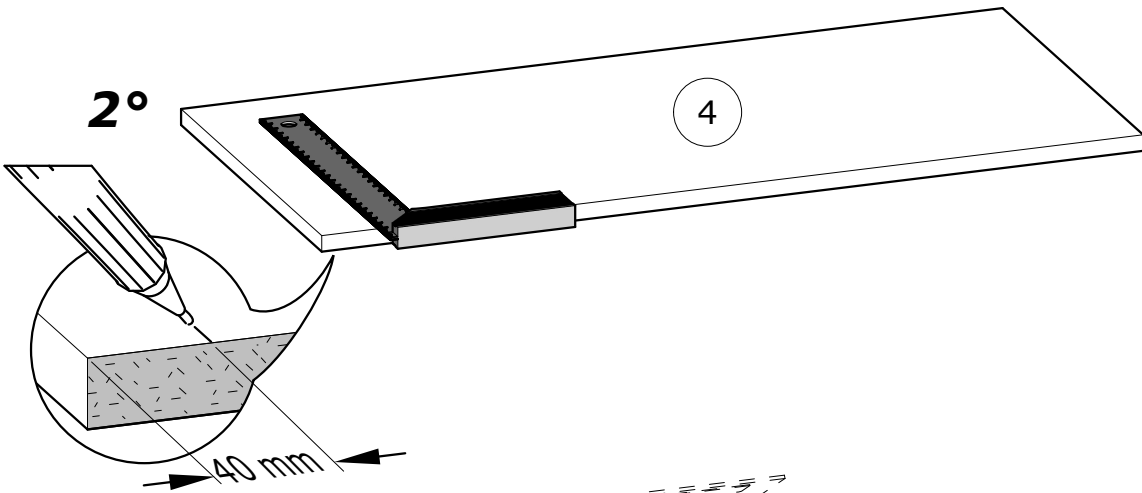
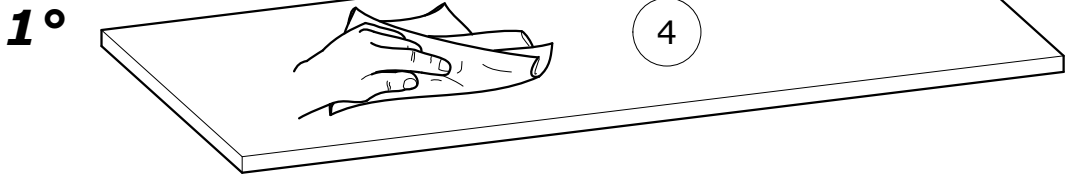
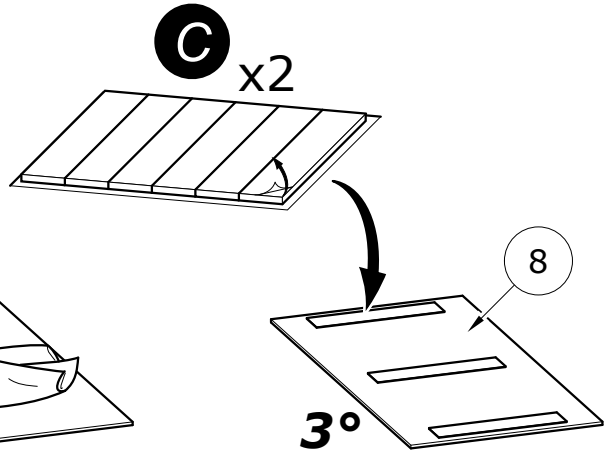
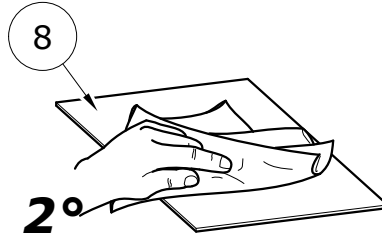
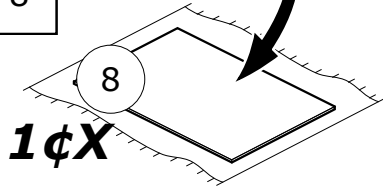


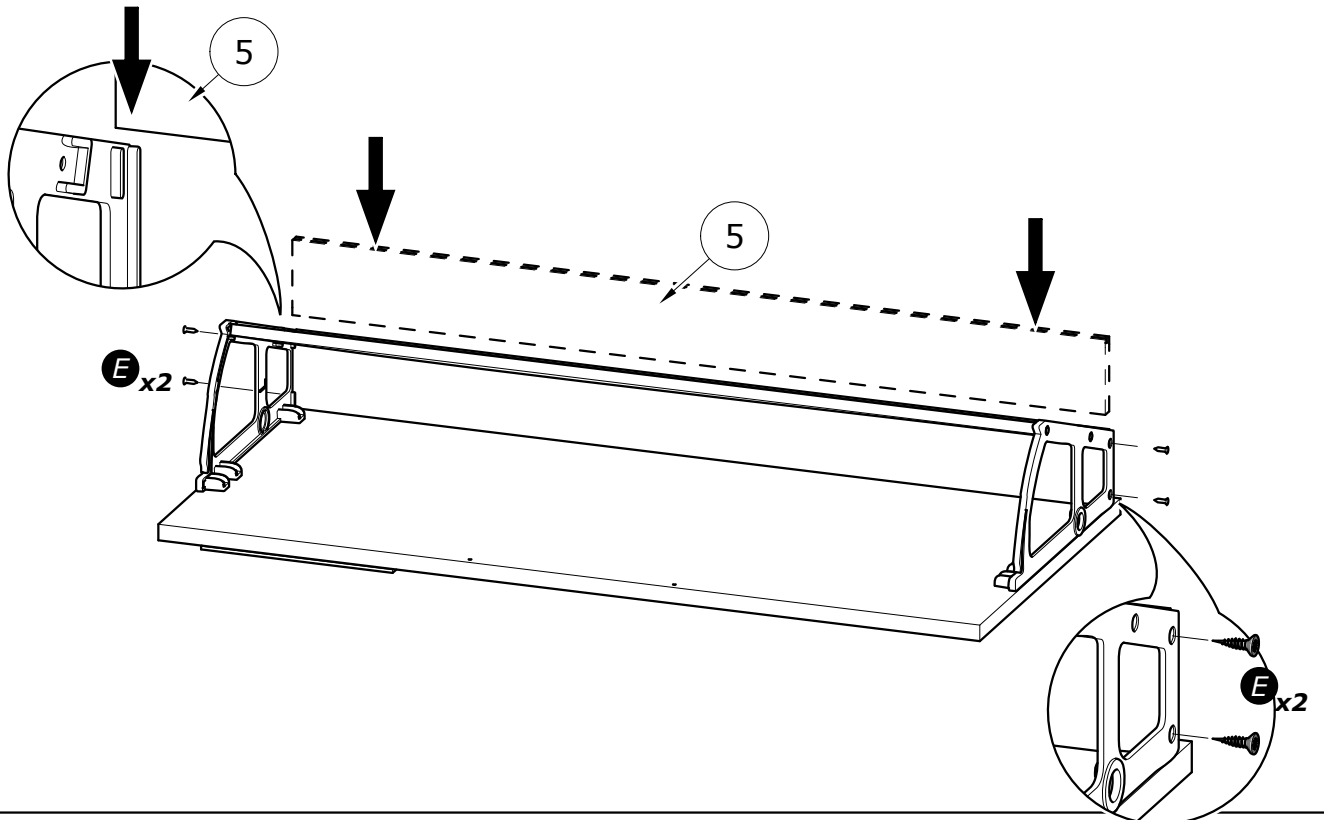
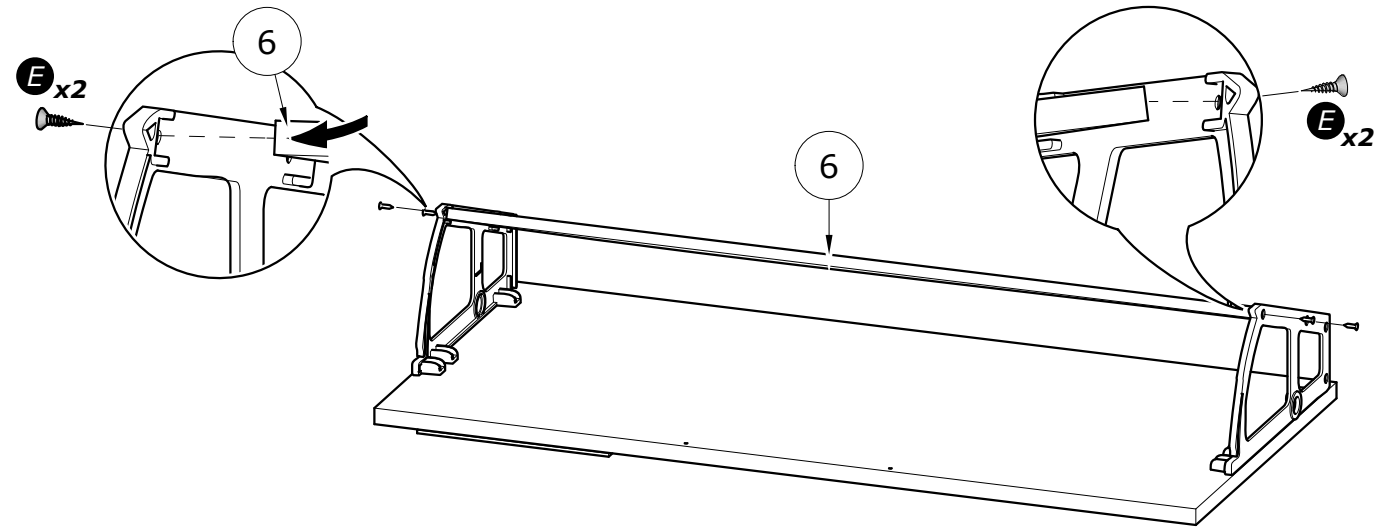
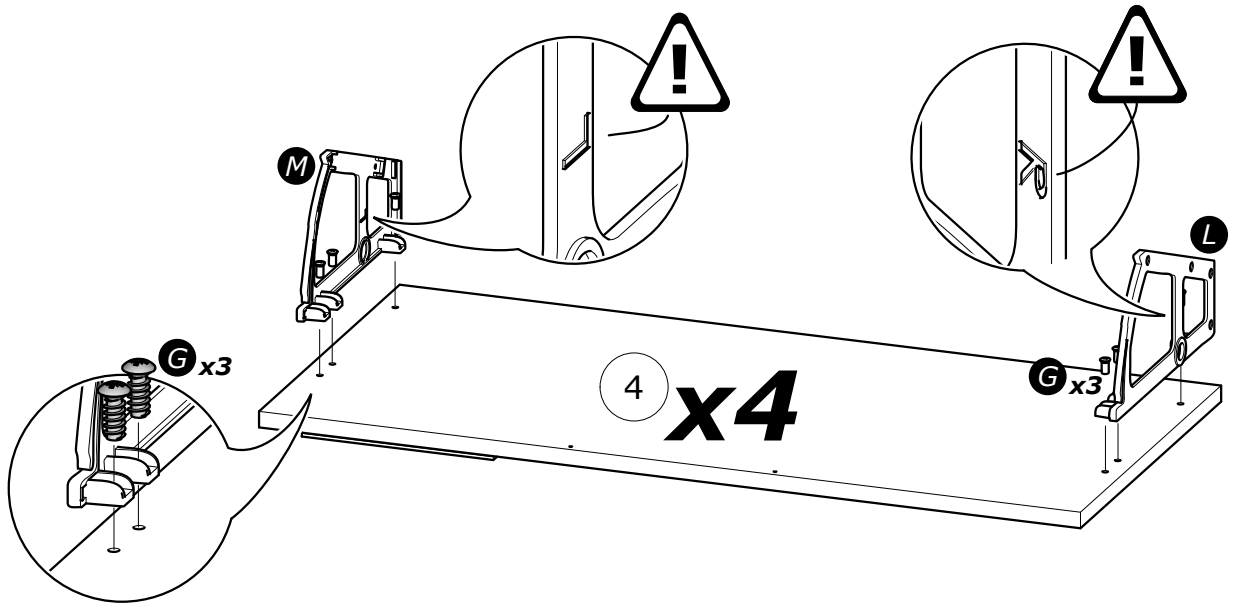
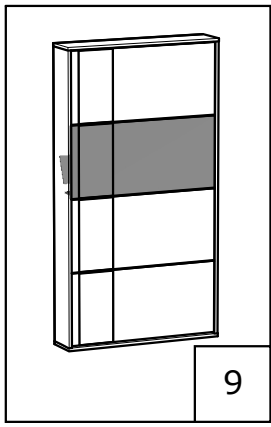


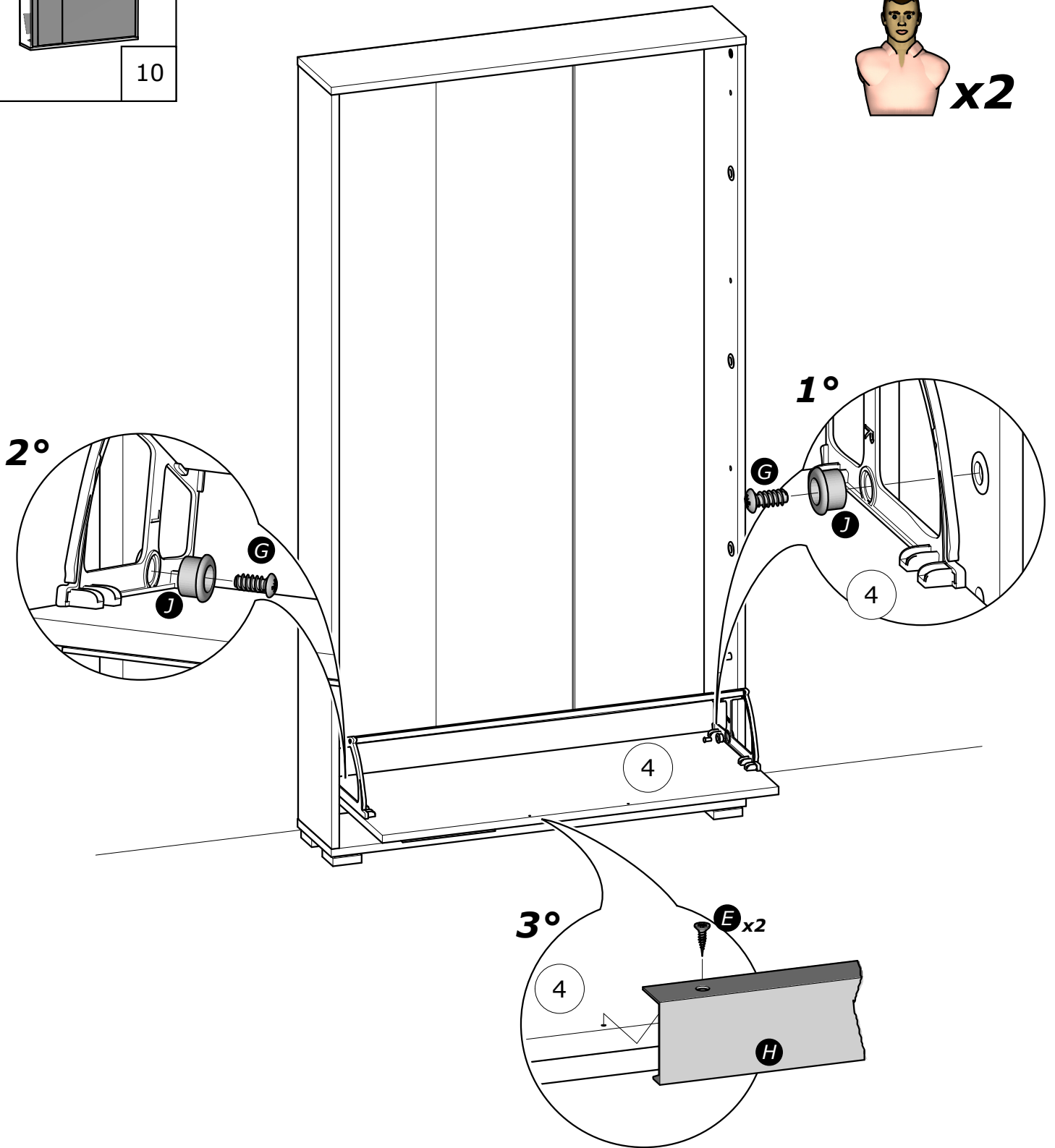
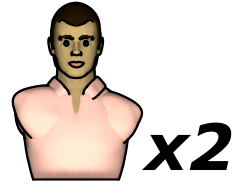
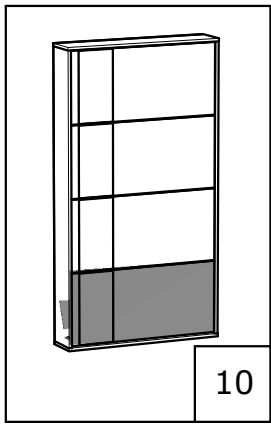


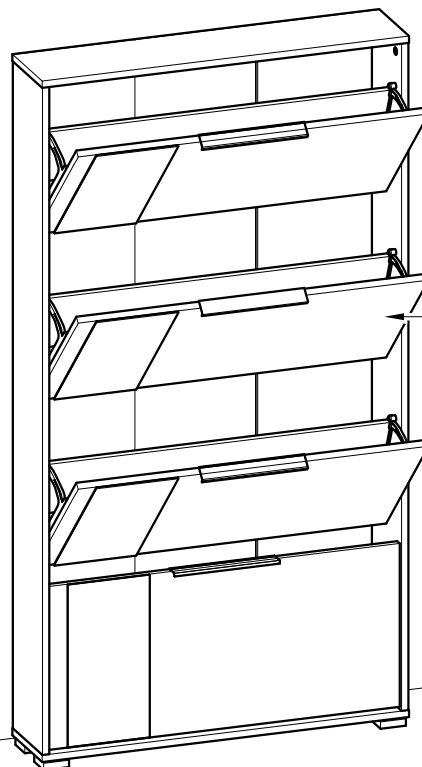
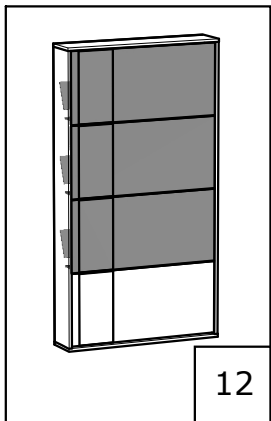
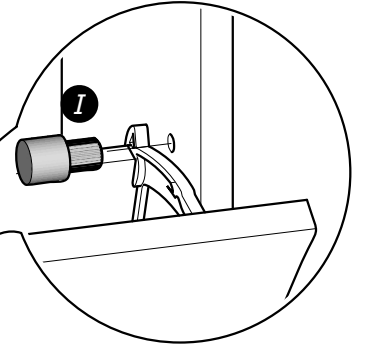
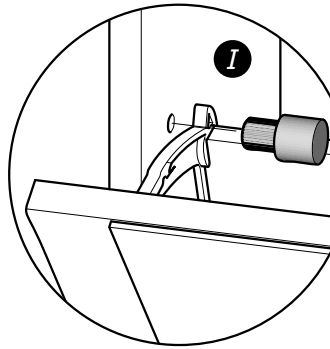
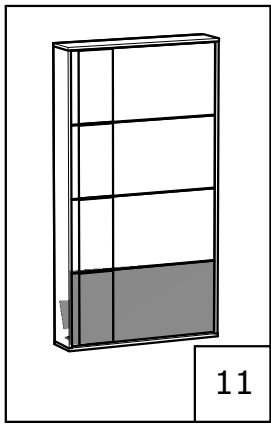


FRAGILE









4 **x3**