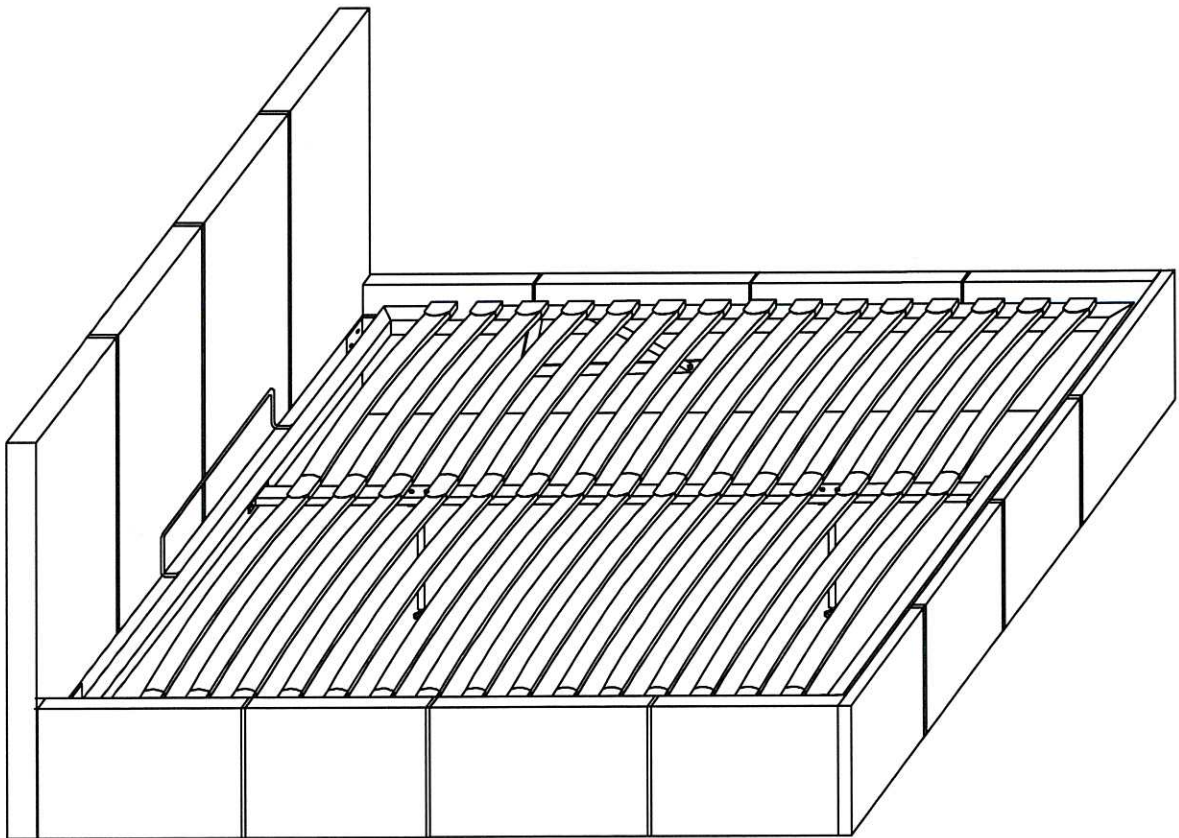


PRADO GASLIFT BED




















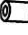
ASSEMBLY INSTRUCTIONS



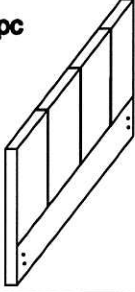
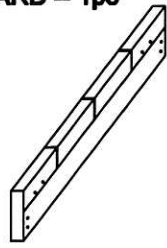




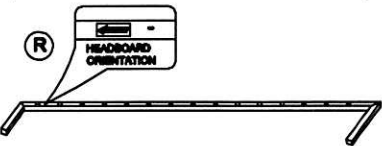

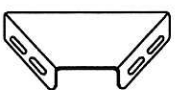
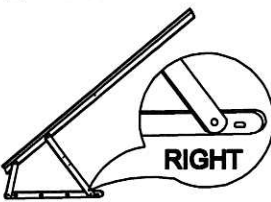
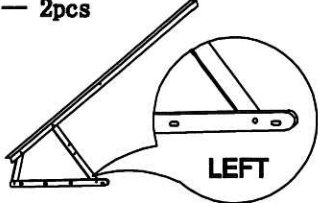

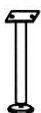


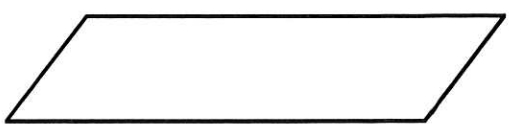

RE:PRADO GASLIFT BED IS FOR DOMESTIC USE

AND STRICTLY NOT FOR CONTRACT USE.

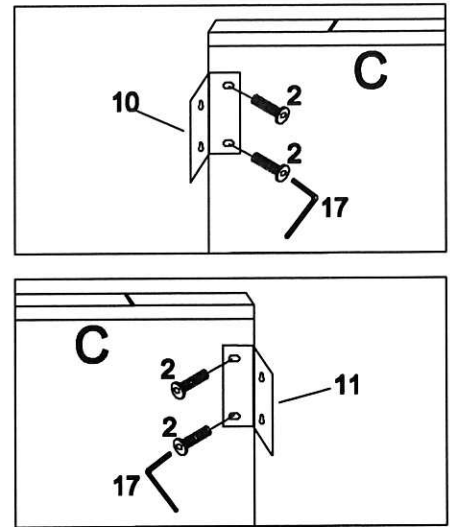
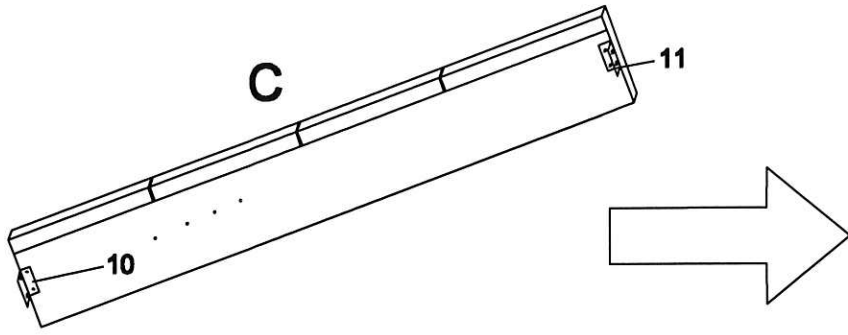
HARDWARE LIST

(1)  6pcs BOLT M8x 15mm	(2)  24pcs BOLT M8x 25mm	(3)  4pcs BOLT M8x 35mm	(4)  13pcs BOLT M8x 50mm	(5)  20pcs FLANGE NUT M8
(6)  9pcs WASHER M8	(7)  8pcs WASHER M6	(8)  8pcs BOLT M6x 25mm	(9)  2pcs BOLT M6x 15mm	(10)  2pcs CONNECTION PLATE LEFT
(11)  2pcs CONNECTION PLATE RIGHT	(12)  30pcs SINGLE PLASTIC CAP	(13)  15pcs DOUBLE PLASTIC CAP	(14)  2pcs CONNECTION PLATE	(15)  8pcs BOLT 3.5x 25mm
(16)  1pcs SPANNER	(17)  1pcs ALLEN KEY M5	(18)  1pcs ALLEN KEY M4	(19)  1pcs SCREWDRIVER (not provided)	(20)  1pcs PLASTIC WASHER

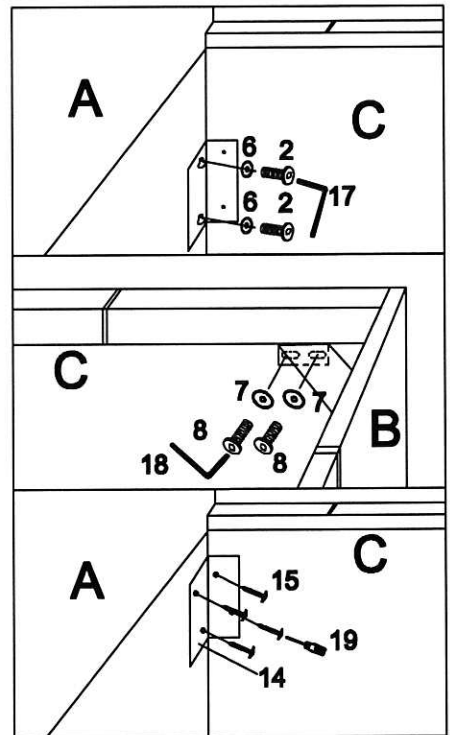
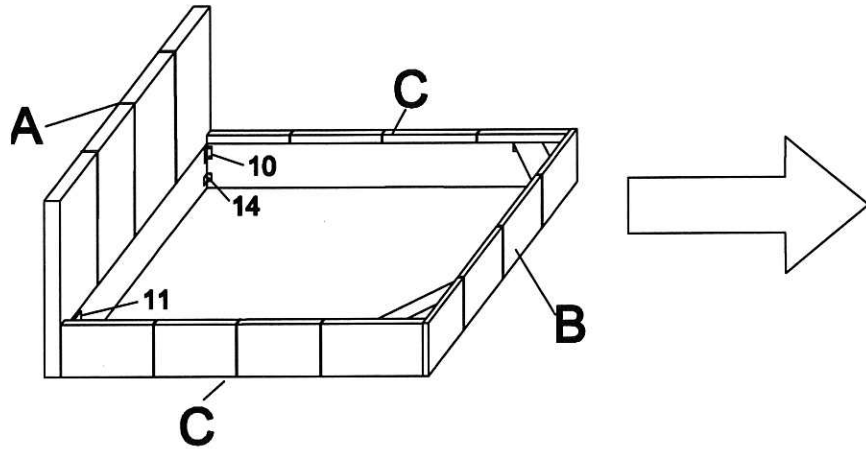
PART LIST

(A) HEADBOARD – 1pc 	(B) FOOTBOARD – 1pc 	(C) SIDE RAIL – 2pcs  FOOTBOARD END HEADBOARD END
(D) CENTER SUPPORT BAR – 1pc 	(E) SUPPORT RAIL – 1pc 	(F) METAL FRAME SHORT – 2pcs  FOOTBOARD END HEADBOARD END
(G) METAL FRAME LONG – R 1pc  METAL FRAME LONG – L 1pc 	(H) METAL FRAME "L" – 2pcs 	(I) METAL SUPPORT FRAME – 2pcs  RIGHT  LEFT
(M) STRAP – 1pc 	(J) SUPPORT LEGS – 2pcs 	(K) GAS LIFT – 2pcs 
(N) SLATS – 30pcs 	(O) NON WOVEN FABRIC – 1pc 	(L) MATTRESS STOPPER – 1pc 

STEP 1 FIX "L" METAL PLATE AND "L" TUBE TO SIDE RAILS

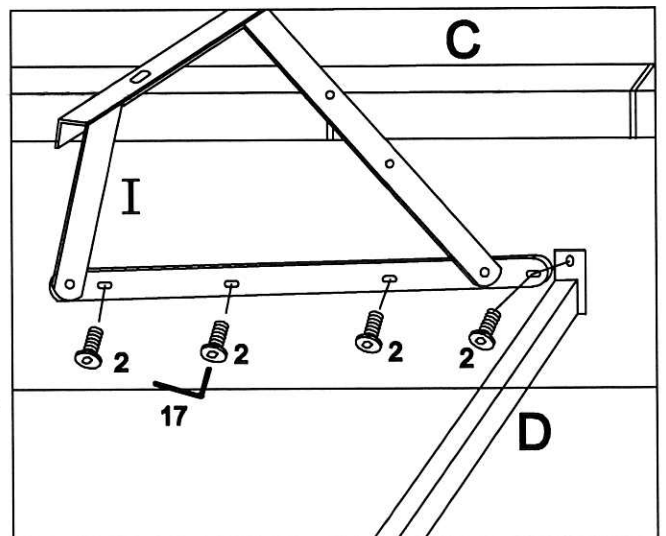
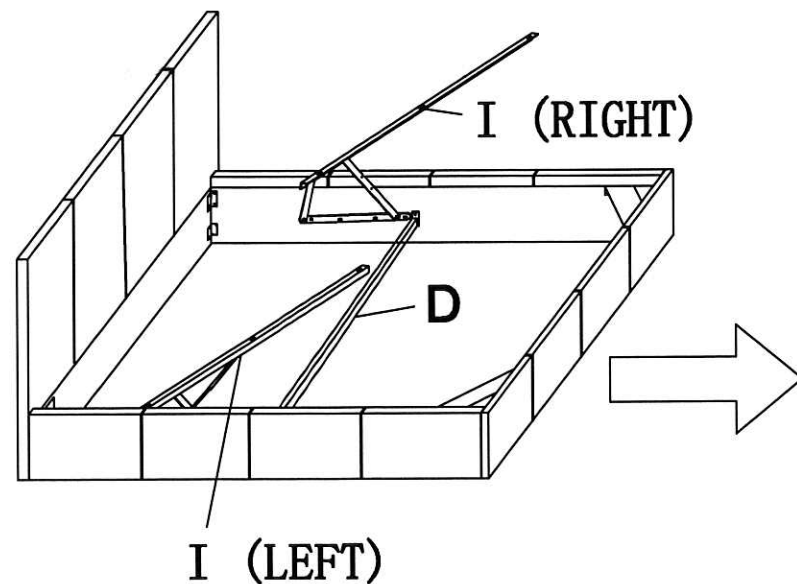


STEP 2 FIX SIDE RAILS TO HEADBOARD AND FOOTBOARD AND FOOTBOARD

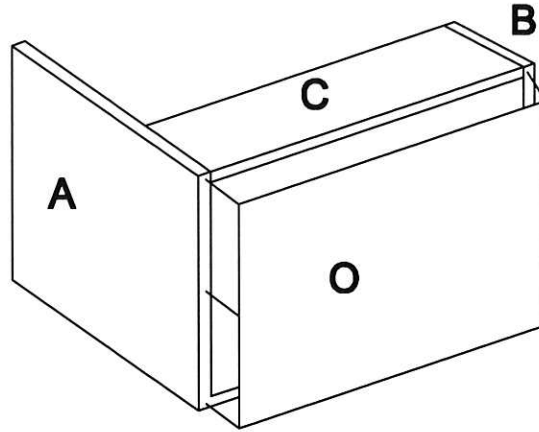


PLEASE FULLY TIGHTEN ALL THE BOLTS IN INSIDE CORNERS OF THE BED

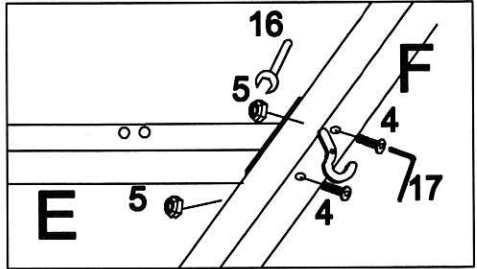
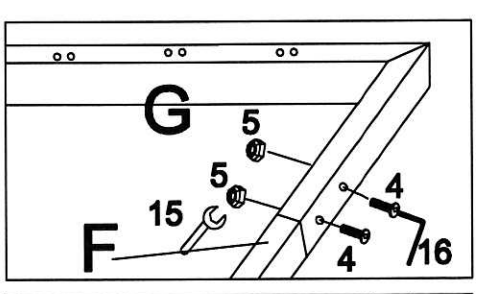
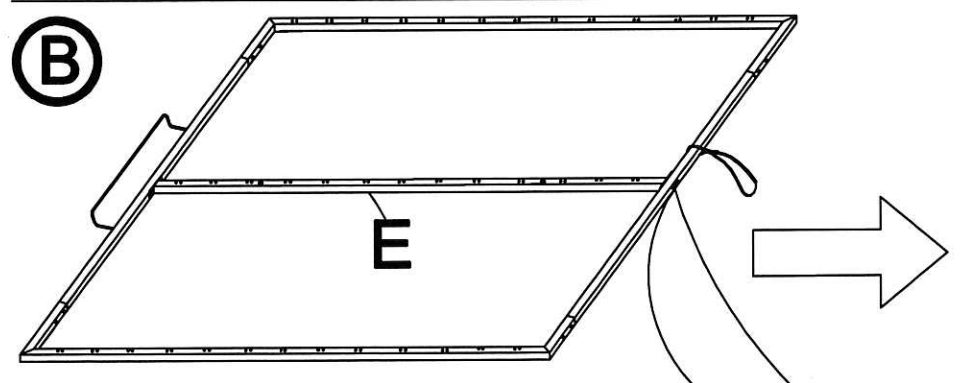
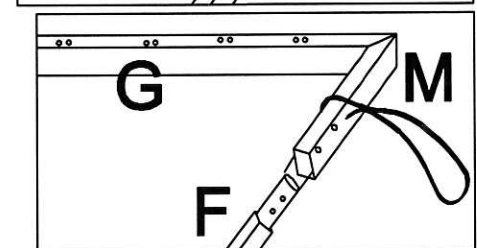
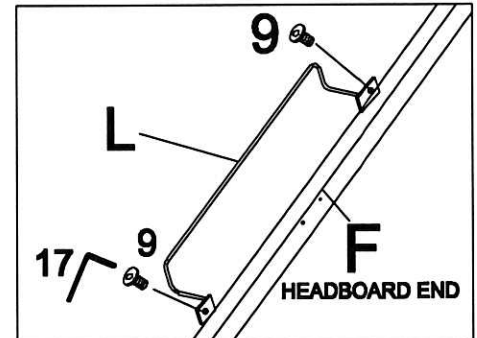
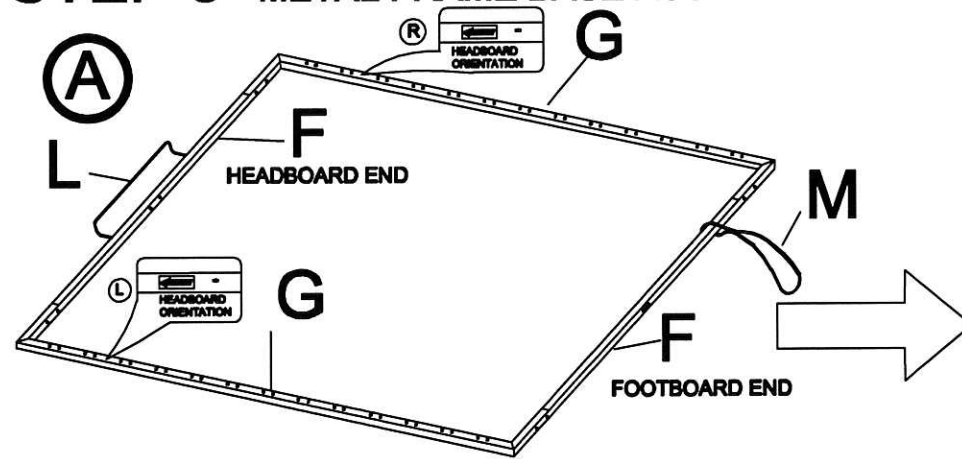
STEP 3 FIX CENTER SUPPORT BAR AND METAL SUPPORT FRAME TO SIDE RAIL



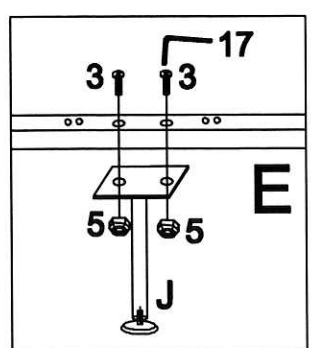
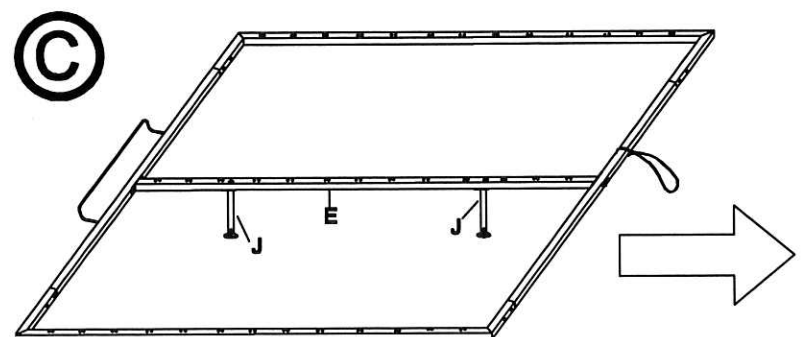
STEP 4 PASTE NON WOVEN FABRIC TO THE BOTTOM OF THE BED



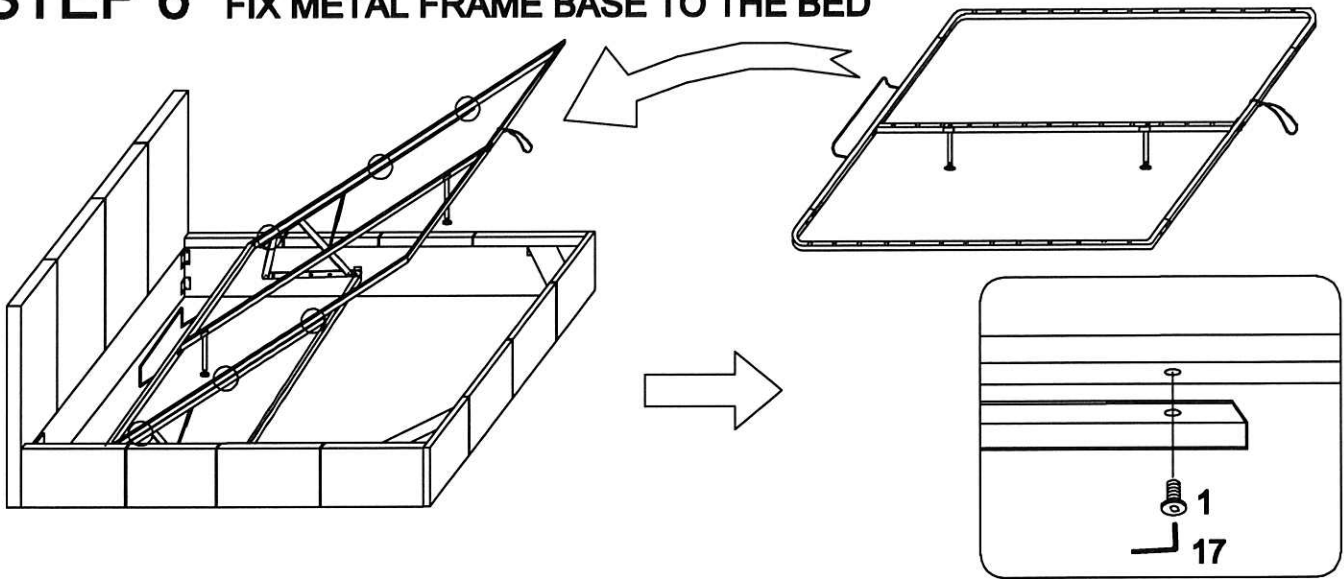
STEP 5 METAL FRAME BASE ASSEMBLY



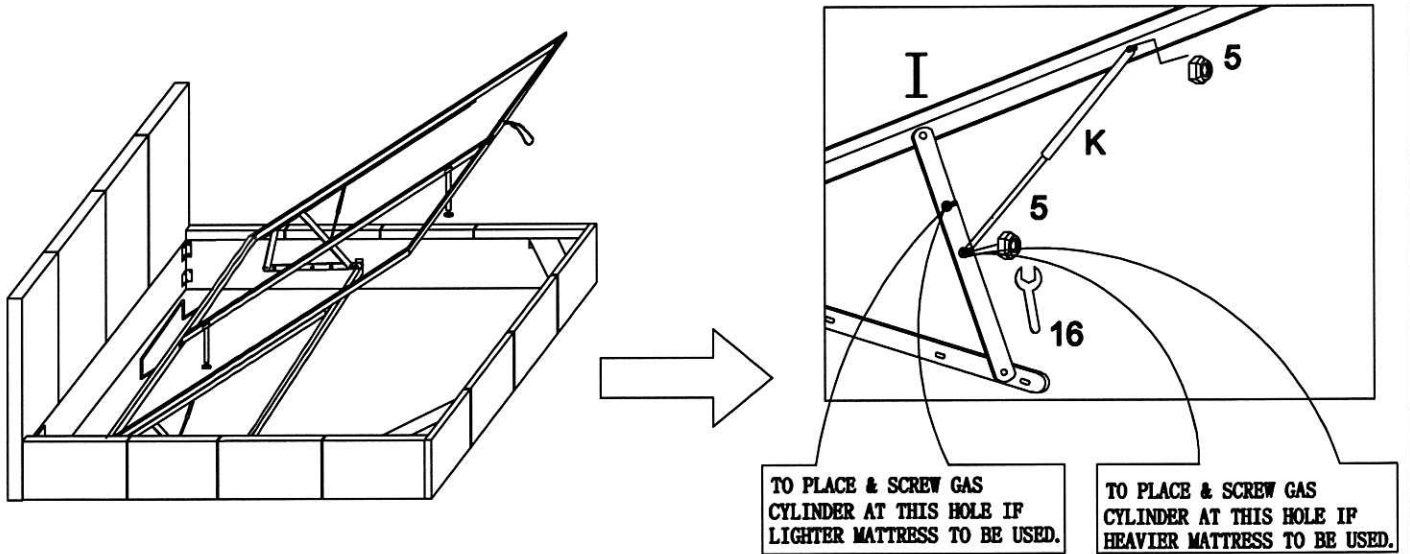
REMARKS:
 ADDITIONAL SAFETY LOCK / LEVER FOR ATTACHING METAL BED
 BASE FRAME WITH FOOTBOARD FOR SAFETY PURPOSE .
 BY USING THIS SAFETY LOCK/LEVER WILL ALSO PREVENT
 ACCIDENT OCCURRENCE AND CHILDREN FROM OPERATING 'OR'
 LIFTING UP THE METAL BED BASE FRAME



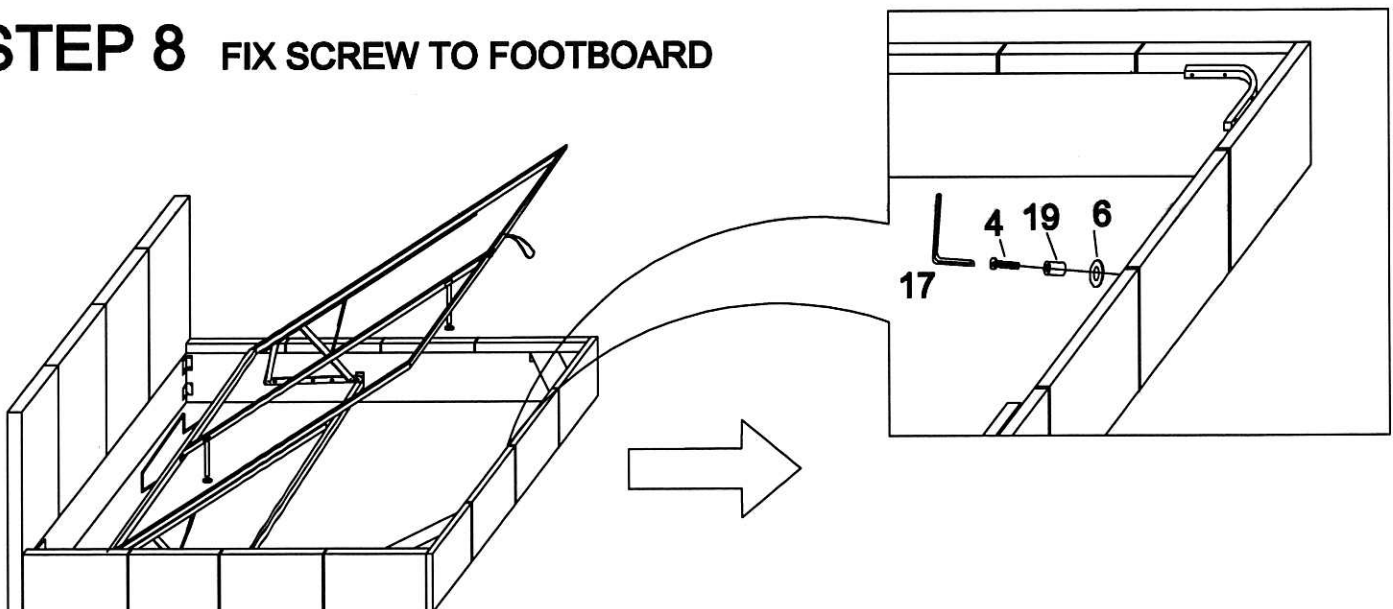
STEP 6 FIX METAL FRAME BASE TO THE BED



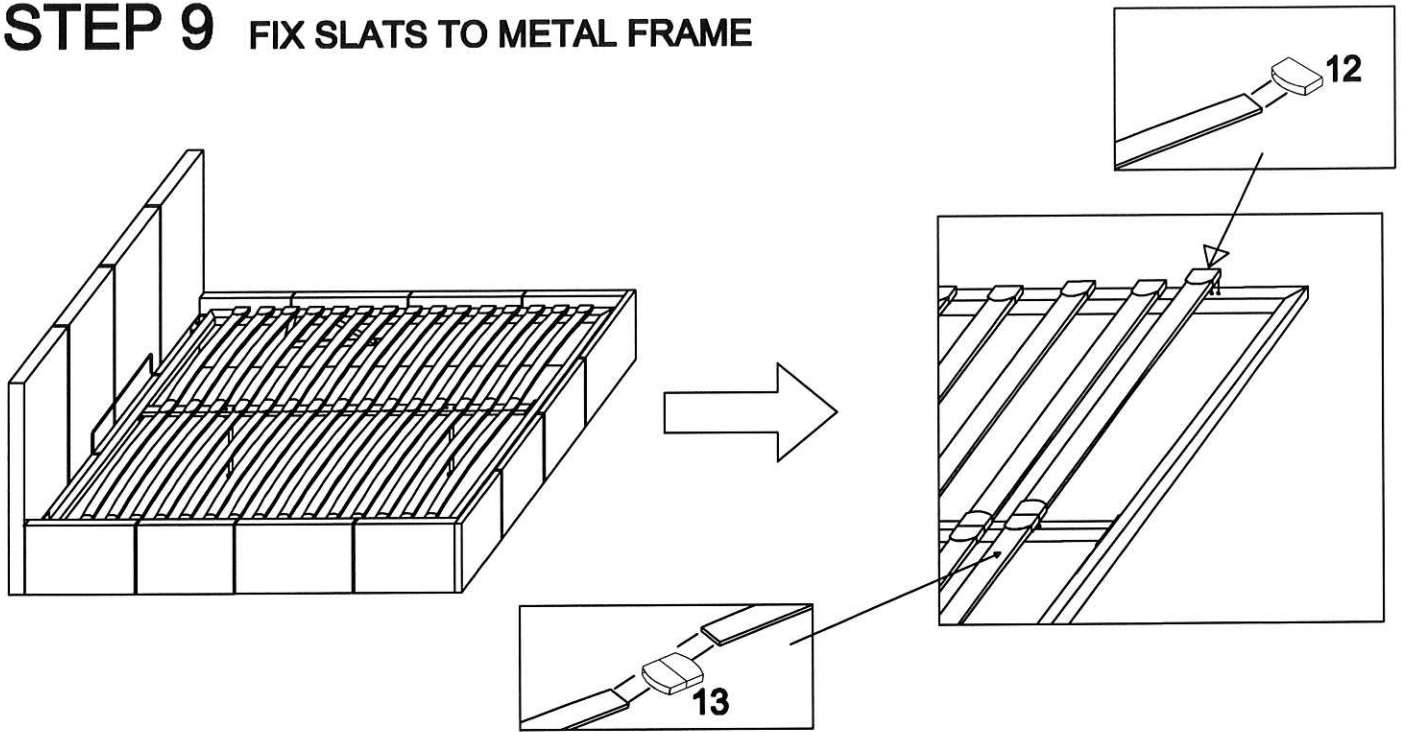
STEP 7 FIX CONNECT GAS LIFT ARM TO METAL FRAME



STEP 8 FIX SCREW TO FOOTBOARD



STEP 9 FIX SLATS TO METAL FRAME



IMPORTANT NOTES:
ENSURE THIS SAFETY LOCK /
LEVER IS LOCKED WITH THE BOLT
ON THE FOOTBOARD ALL THE TIME
UNLESS WHEN THIS METAL FRAME
NEEDED TO BE OPENED FOR USAGE

