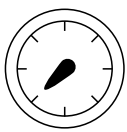
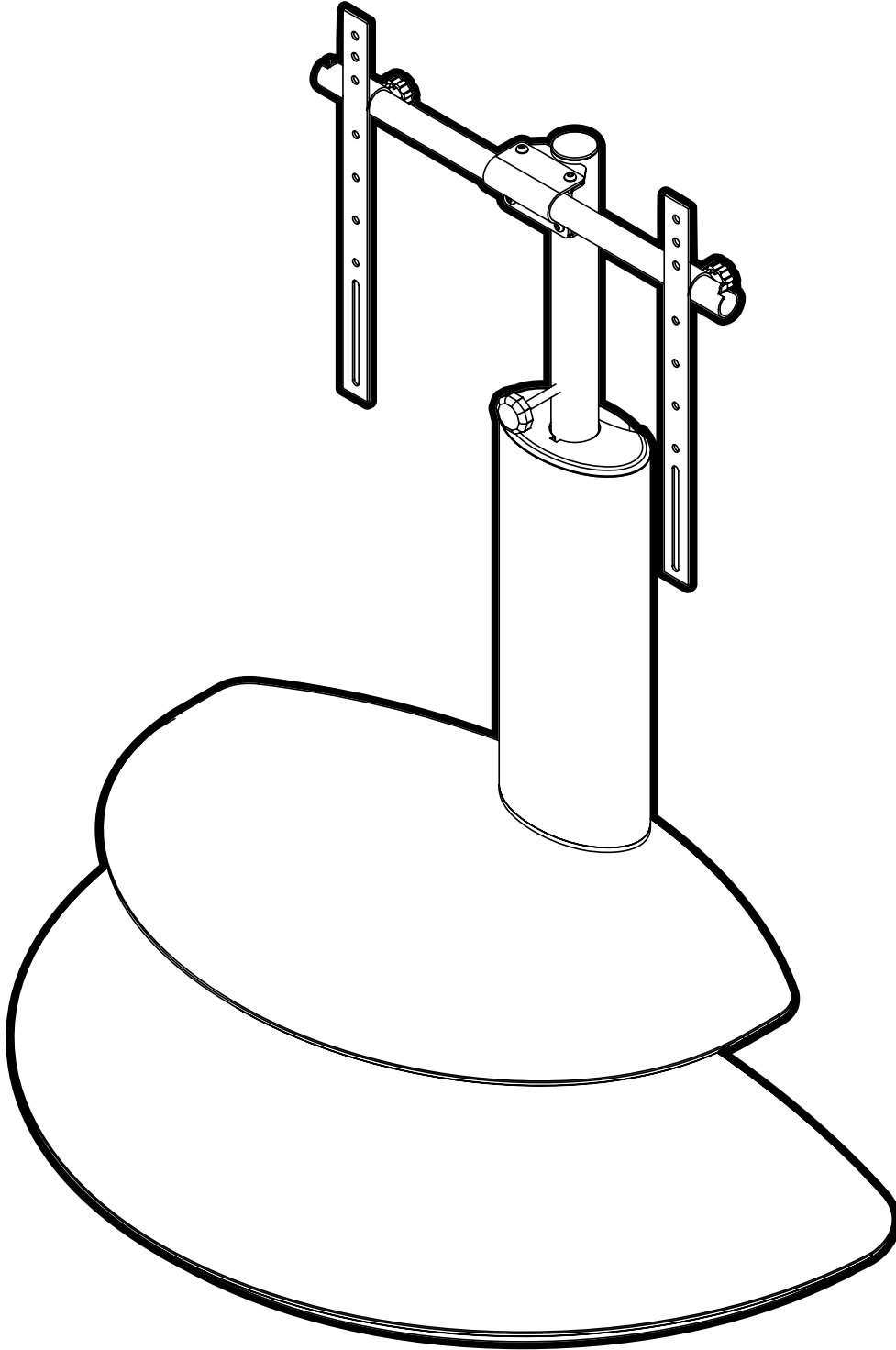




Product Name: STRATA D2

Product Ref: ST90D2

Art number: 407240

TECHLINK™



 = 40mins  
 = 30mins

**TECHLINK**, A Division Of Tapehand Ltd.  
Units 7 and 8 Bat and Ball Enterprise Centre  
Bat and Ball Road  
Sevenoaks  
Kent  
United Kingdom  
TN14 5LJ



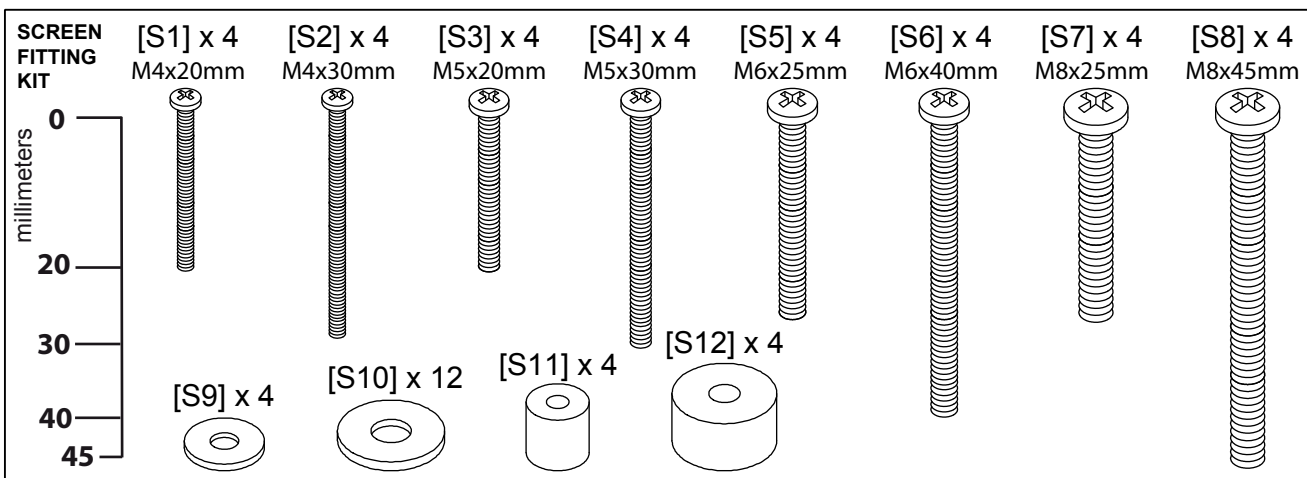
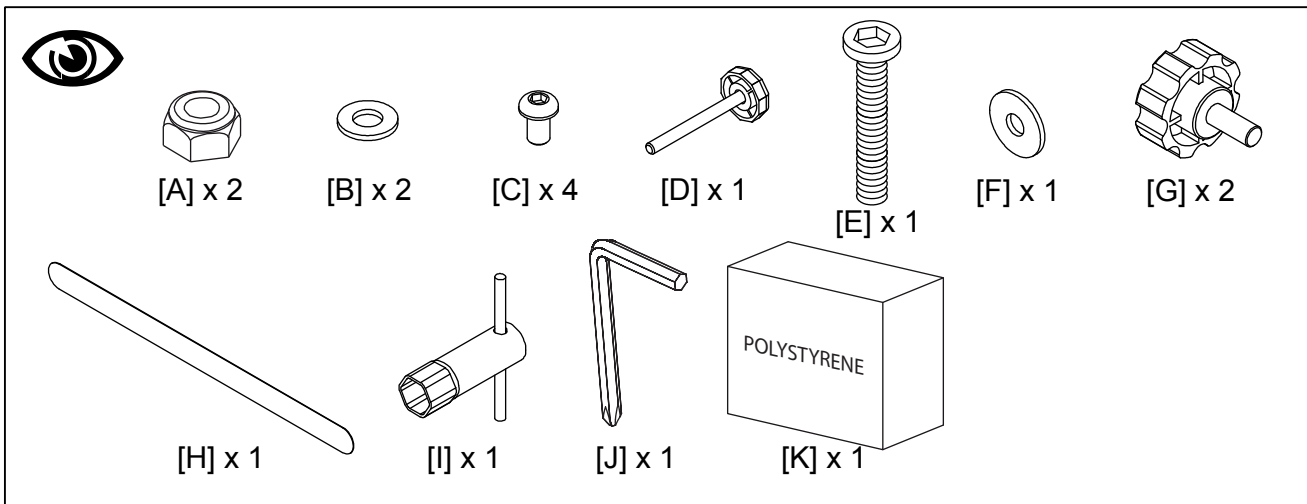
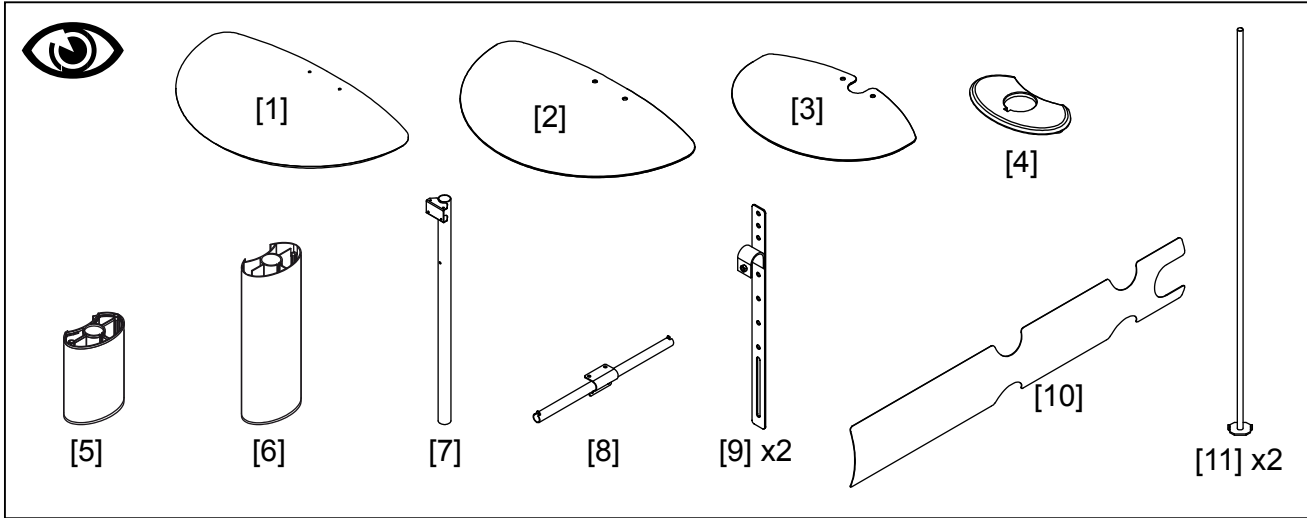
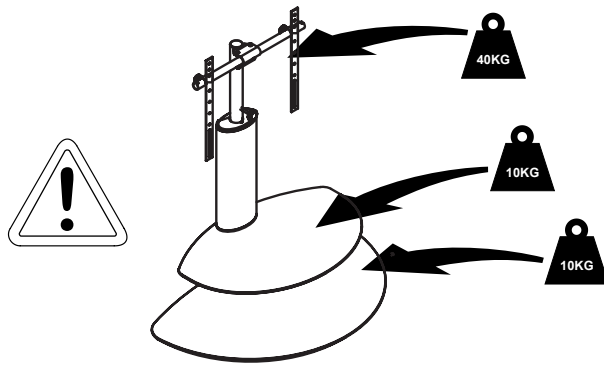
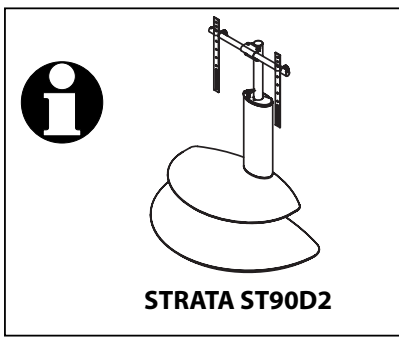
**(UK)Free Phone 0800 634 2699**  
**(US)Toll Free (844) 499-1159**




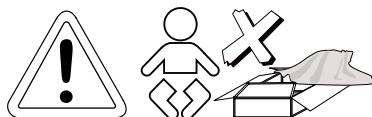
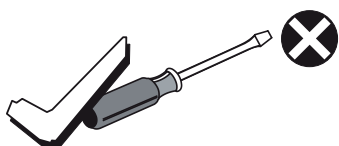
**salesdesk@techlink.uk.com**

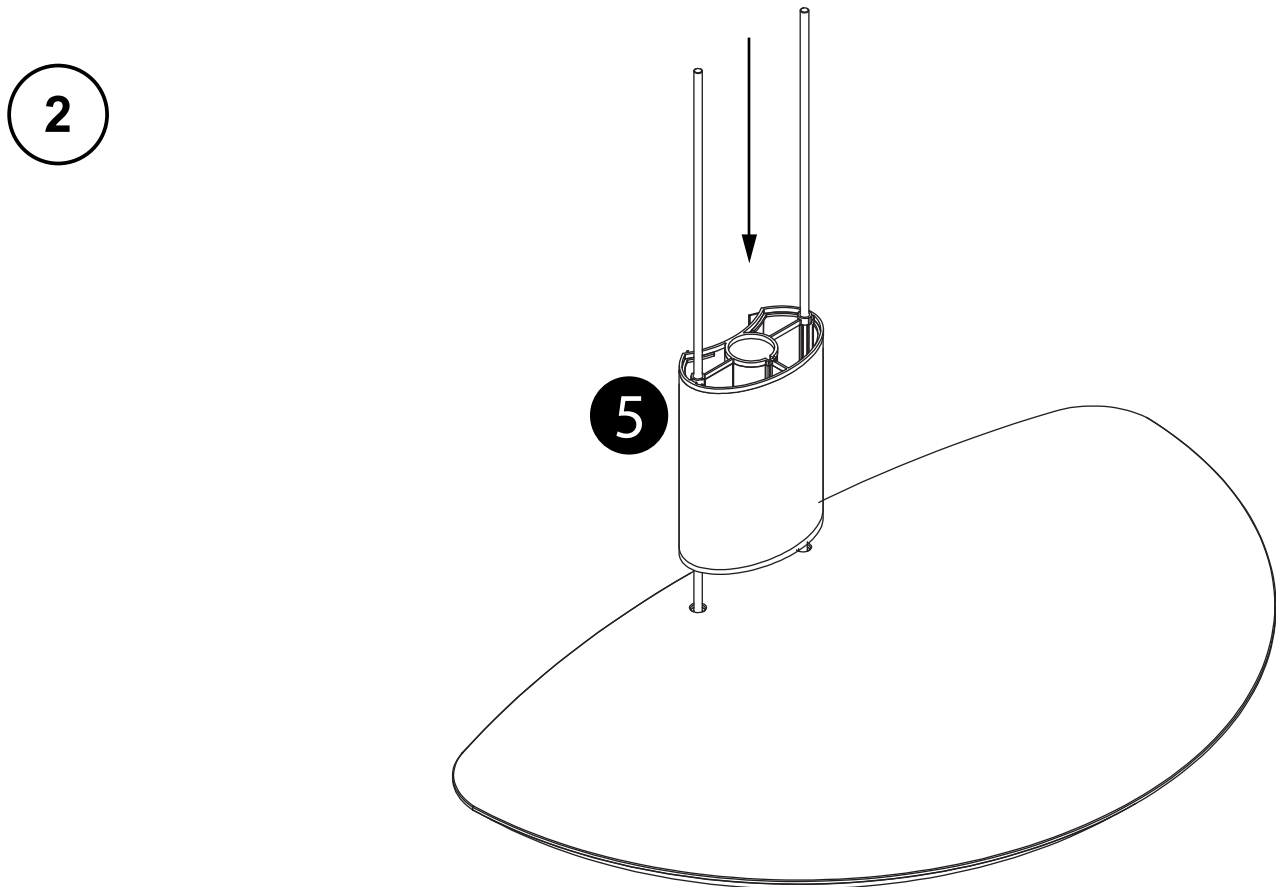
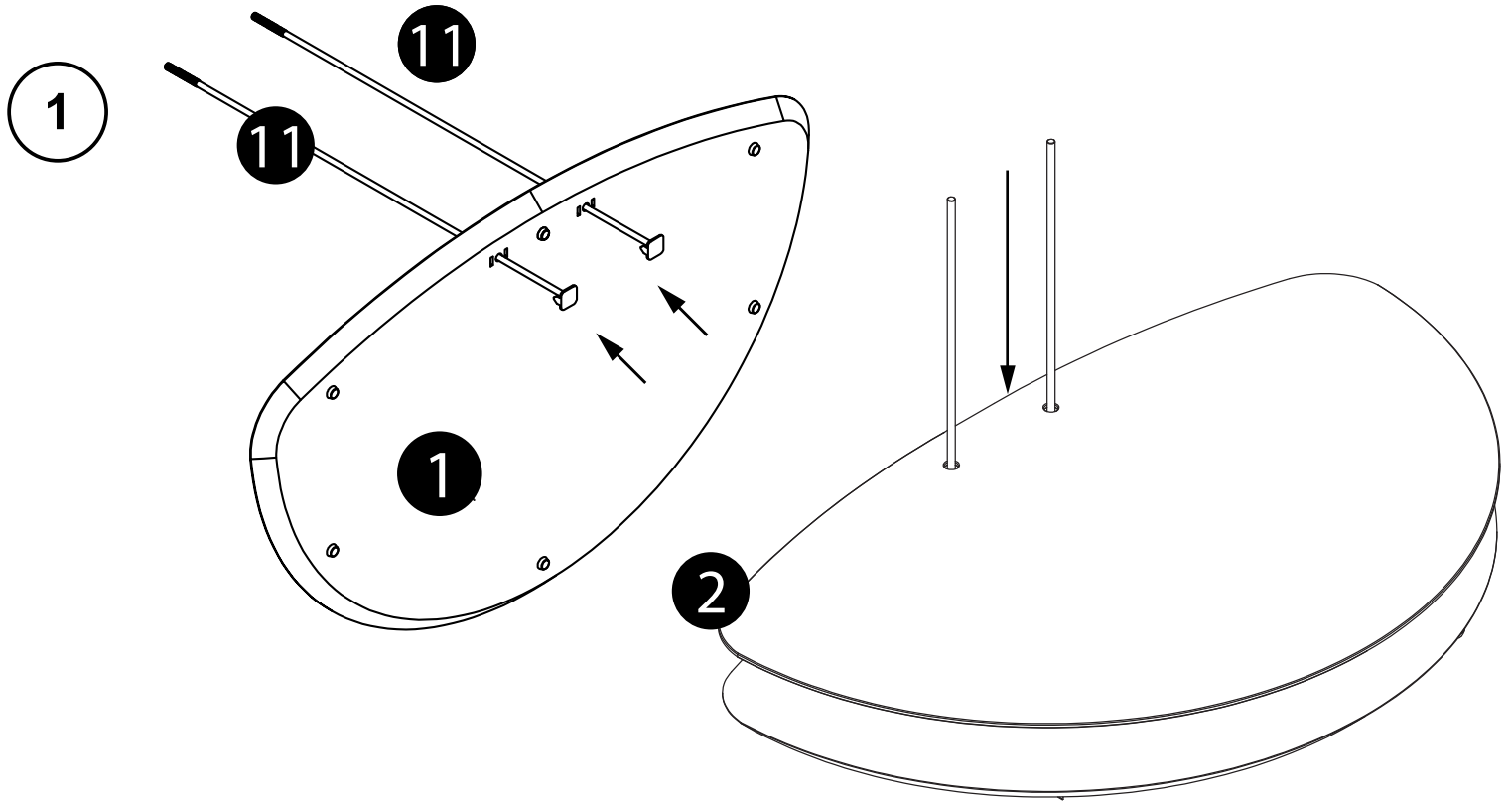
**Web**

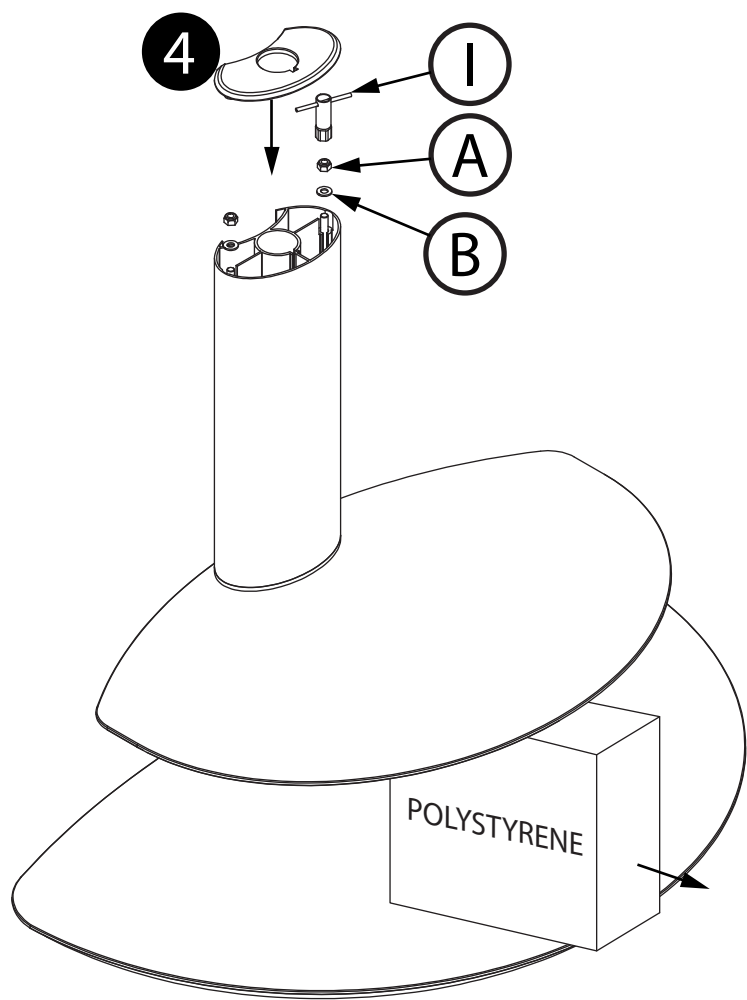
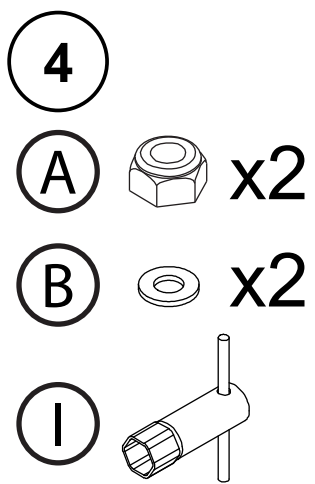
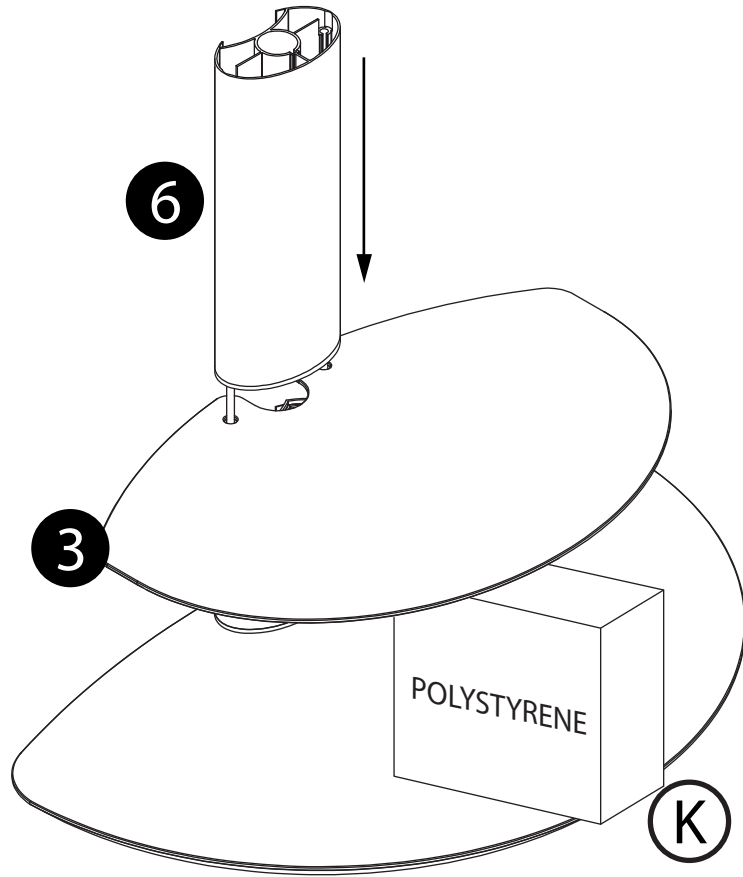
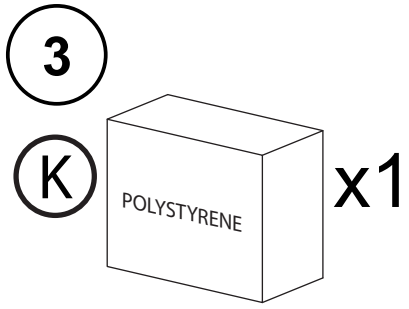
**www.techlink.uk.com**  
**www.recharge.uk.com**

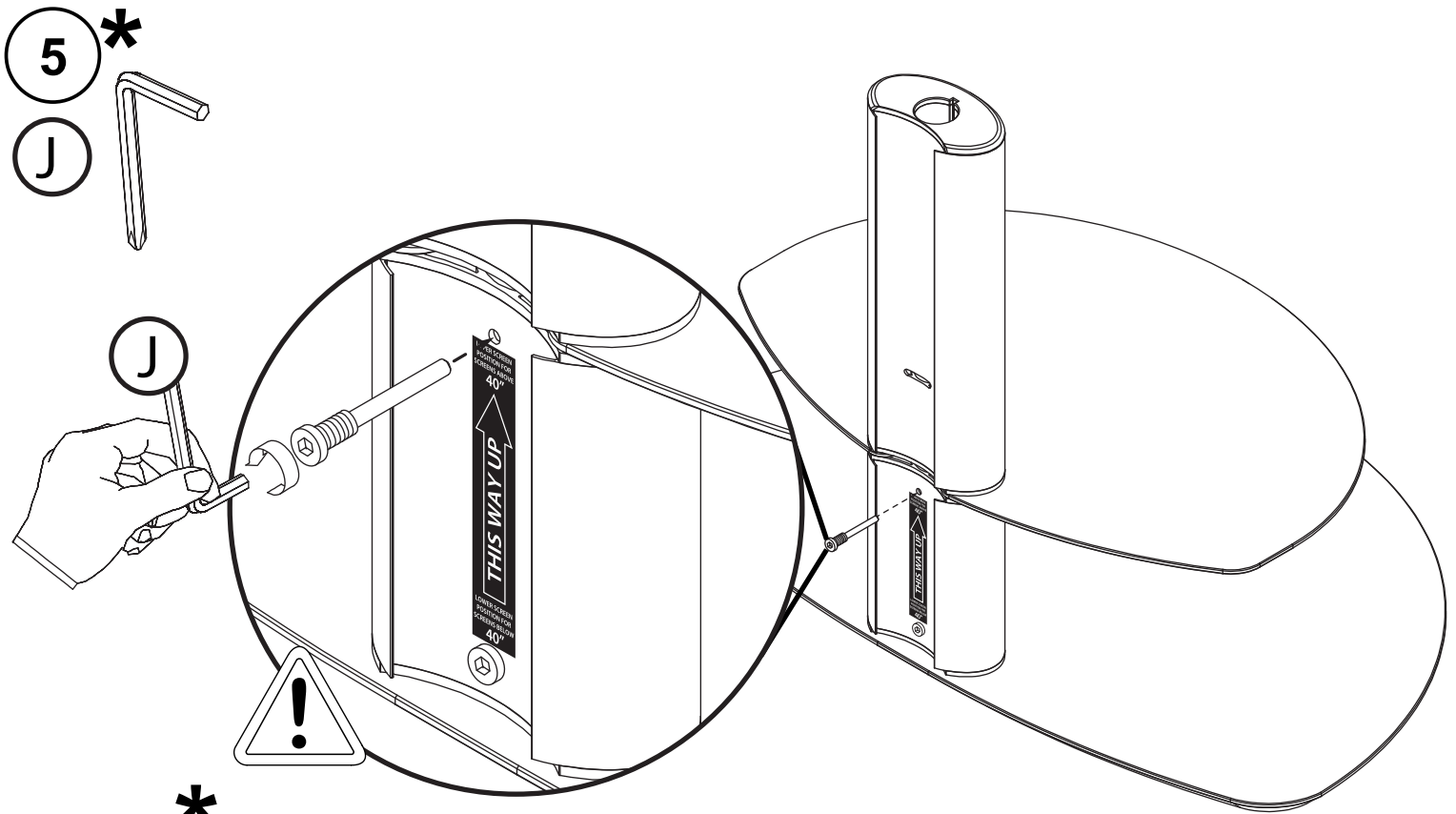


 **Take extra care not to over tighten any screws as this may cause damage!**

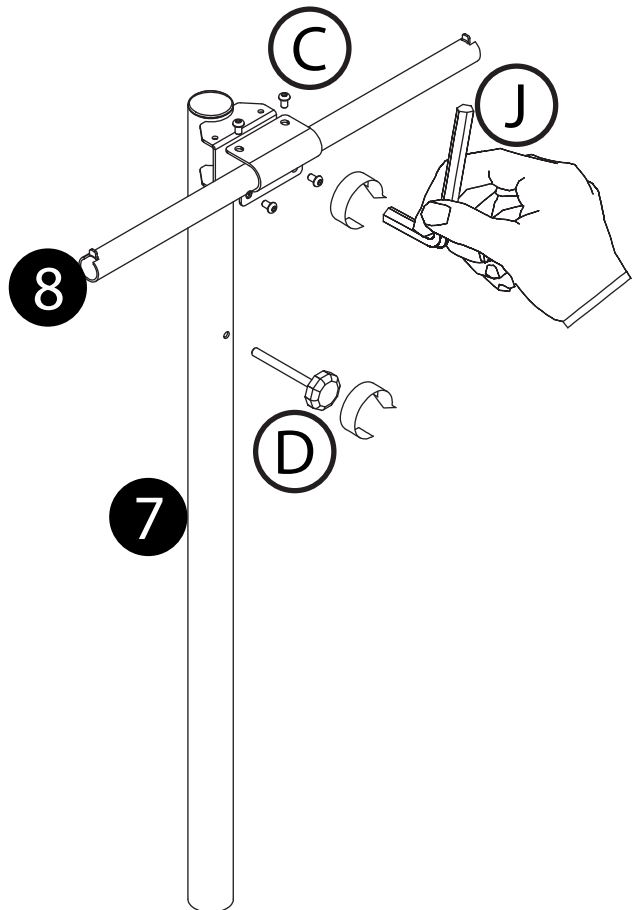
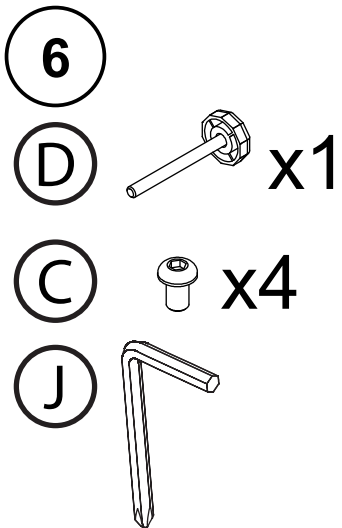








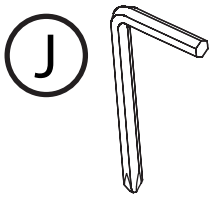
**\*** For optimum screen height for screens below 40" remove the top screw from part 5 as shown above. For screens above 40" do not remove this screw.



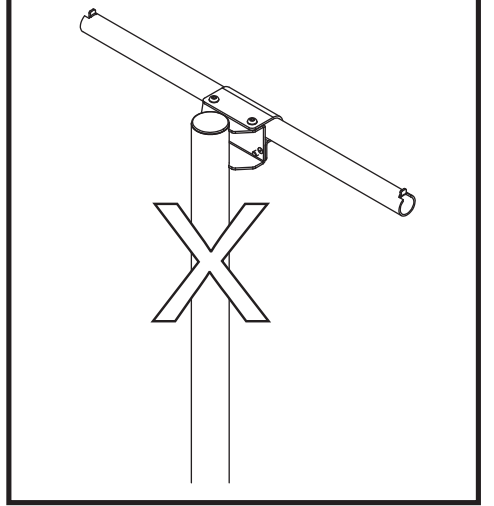
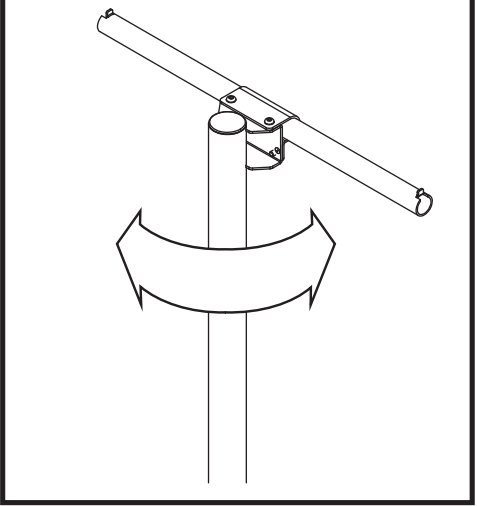
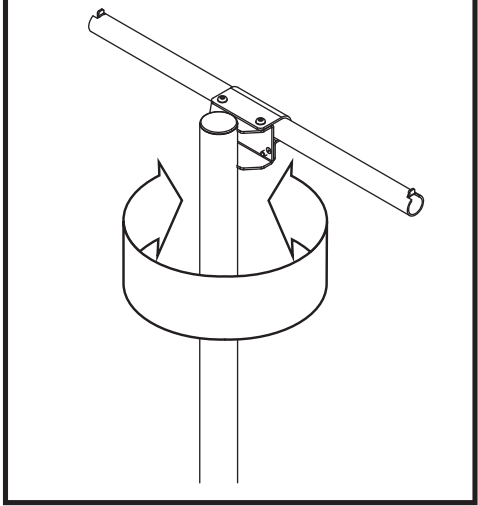
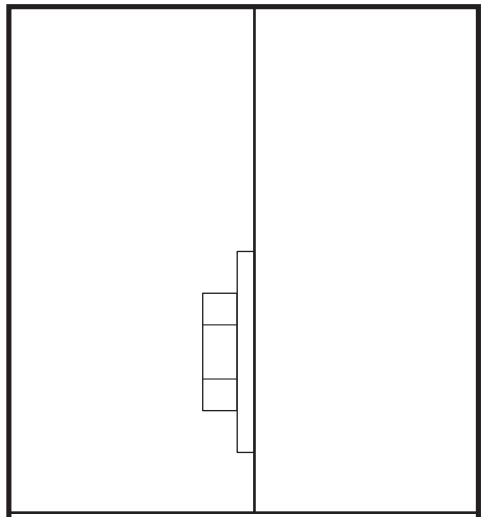
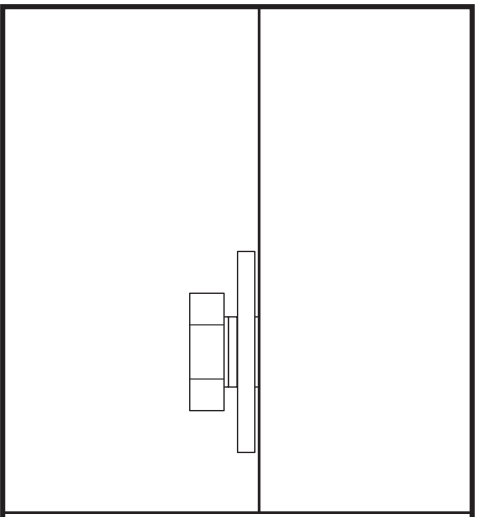
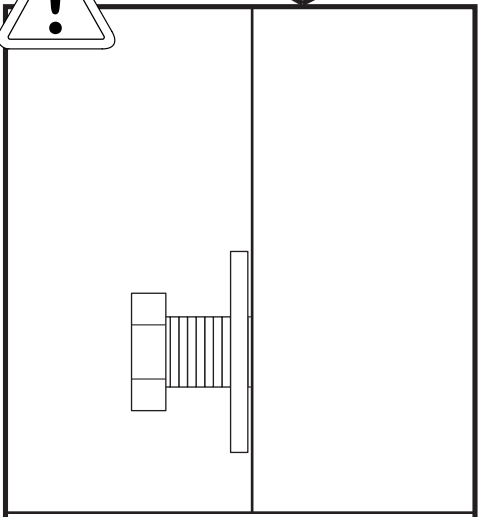
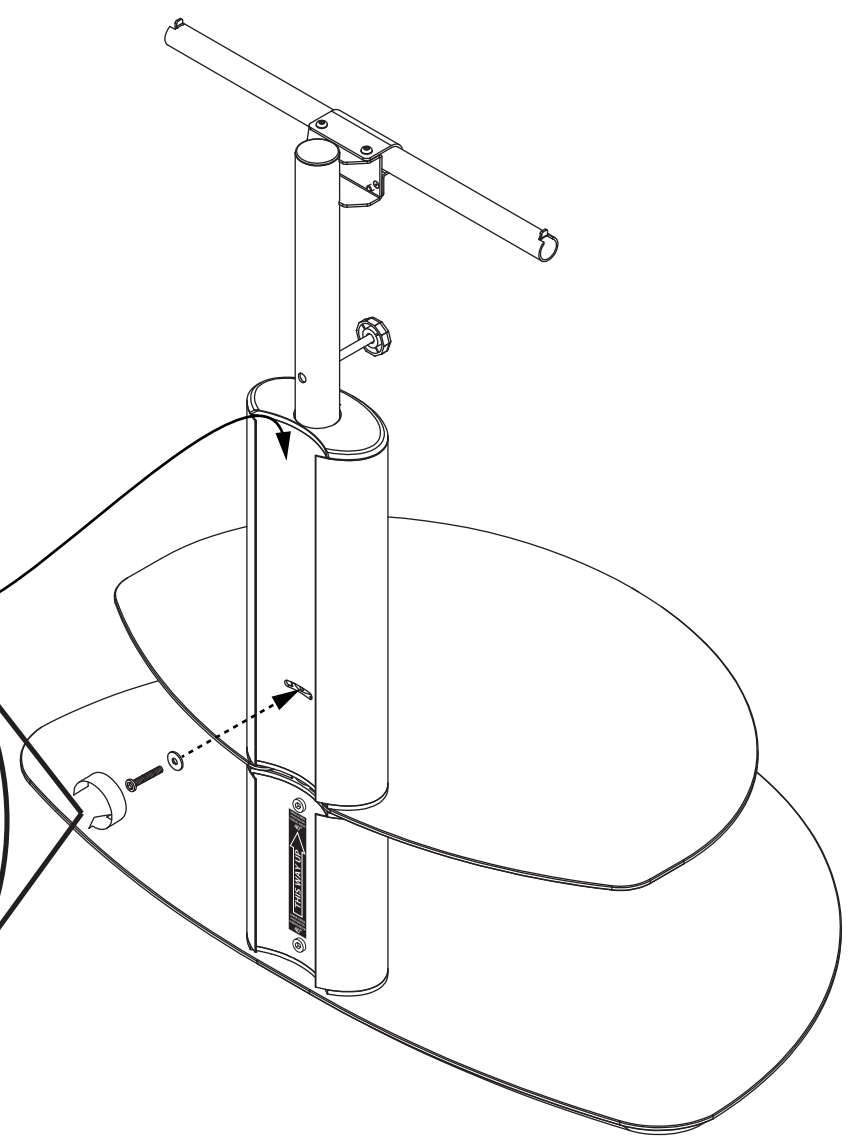
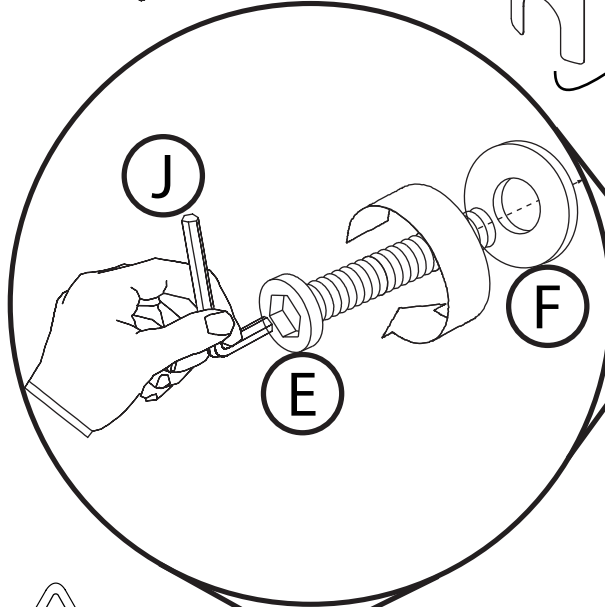
7

E x1

F x1



10

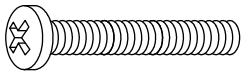


8

SCREEN FITTING  
KIT REQUIRED  
FOR THIS STEP

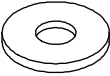
S1

S8



S9

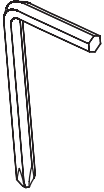
S12



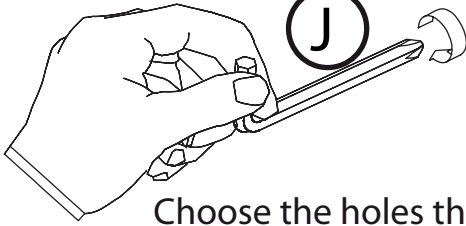
S1

S8

J



J



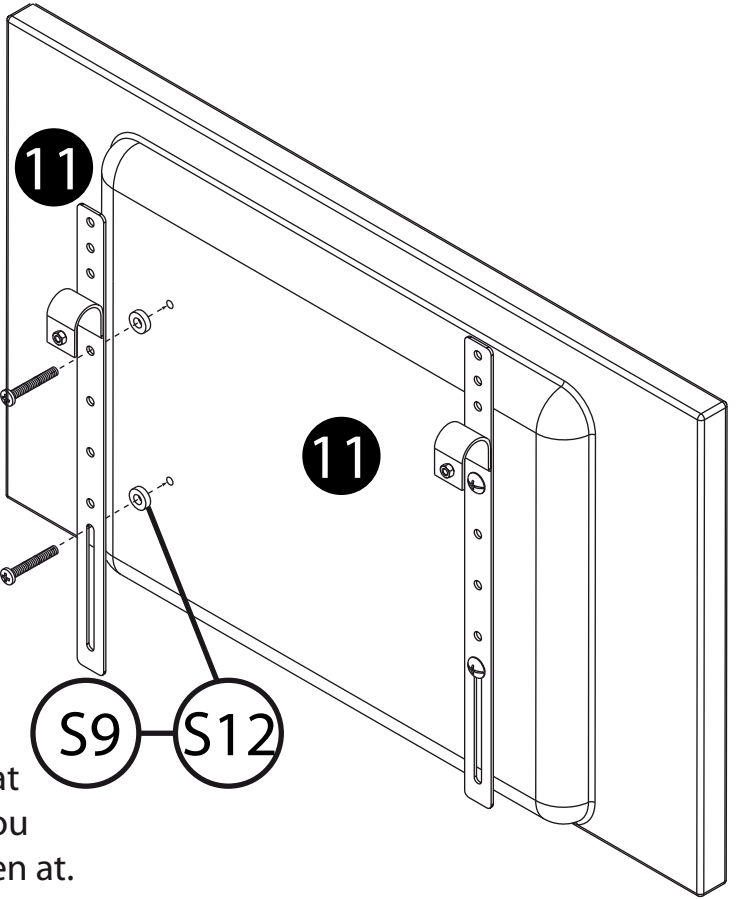
Choose the holes that  
best suit the high you  
would like your screen  
at.

11

11

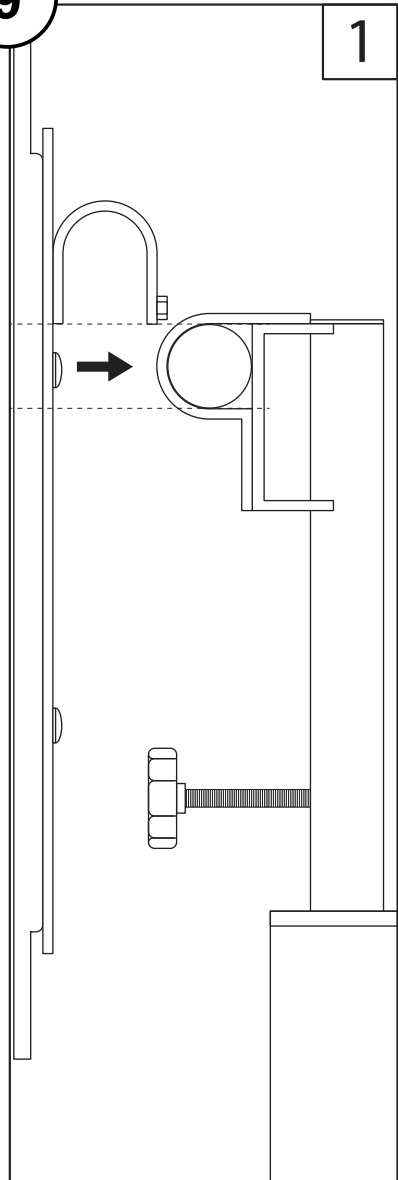
S9

S12



9

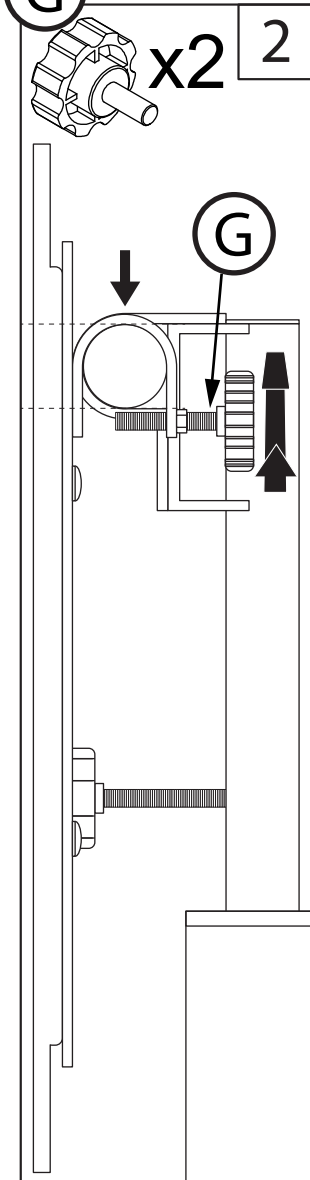
1



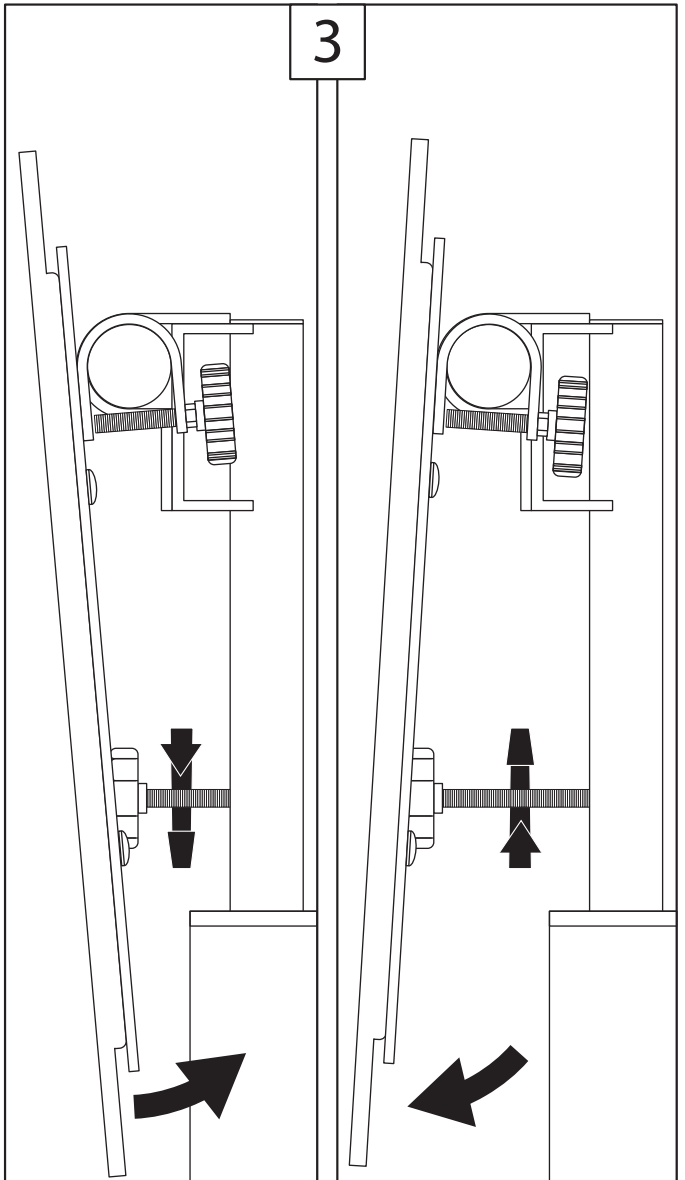
G

x2

2



3



10

H

x1

