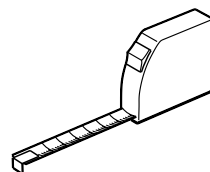
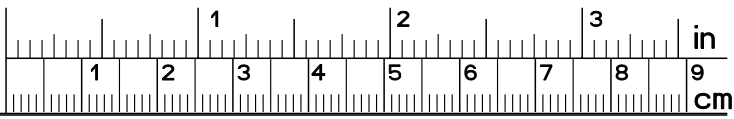


		mm			inch		
18	x 2	345	57	6	13 9/16	2 1/4	1/4
4	x 1	385	156	16	15 3/16	6 1/8	5/8
19	x 1	395	353	16	15 9/16	13 7/8	5/8
9	x 1	515	353	16	20 1/4	13 7/8	5/8
17	x 1	556	115	16	21 7/8	4 1/2	5/8
15	x 1	556	115	16	21 7/8	4 1/2	5/8
16	x 1	556	155	16	21 7/8	6 1/8	5/8
10	x 1	701	220	22	27 5/8	8 11/16	7/8
11	x 1	701	389	16	27 5/8	15 5/16	5/8
7	x 1	752	57	16	29 5/8	2 1/4	5/8
8	x 2	752	57	16	29 5/8	2 1/4	5/8
5	x 1	752	500	16	29 5/8	19 11/16	5/8
12	x 1	752	500	16	29 5/8	19 11/16	5/8
6	x 1	752	500	16	29 5/8	19 11/16	5/8
14	x 1	1212	650	22	47 11/16	25 9/16	7/8
2	x 2	400	110	13	15 3/4	4 5/16	1/2
1	x 1	302	110	13	11 7/8	4 5/16	1/2
3	x 1	399	313	3	15 11/16	12 5/16	1/8
13	x 1	703	369	3	27 11/16	14 1/2	1/8

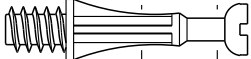




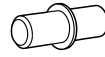
ADM x26



ADU x4



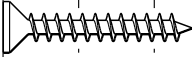
AD x24



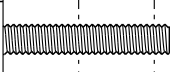
DA x4



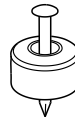
EP x2



VJ x2



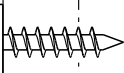
WZ x4



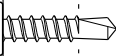
ZK x1



CF x1



AMO x20



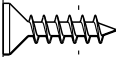
BRL x4



Ai x24



EO x1



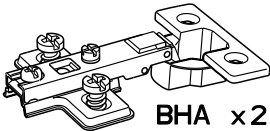
Vi x10



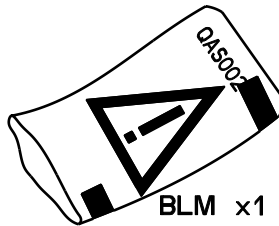
ANK x20



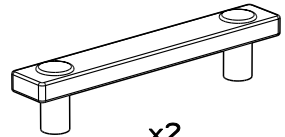
PU x3



BHA x2



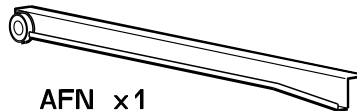
BLM x1



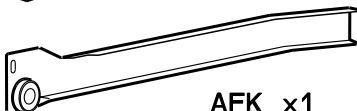
x2



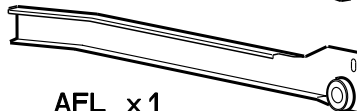
AFM x1



AFN x1

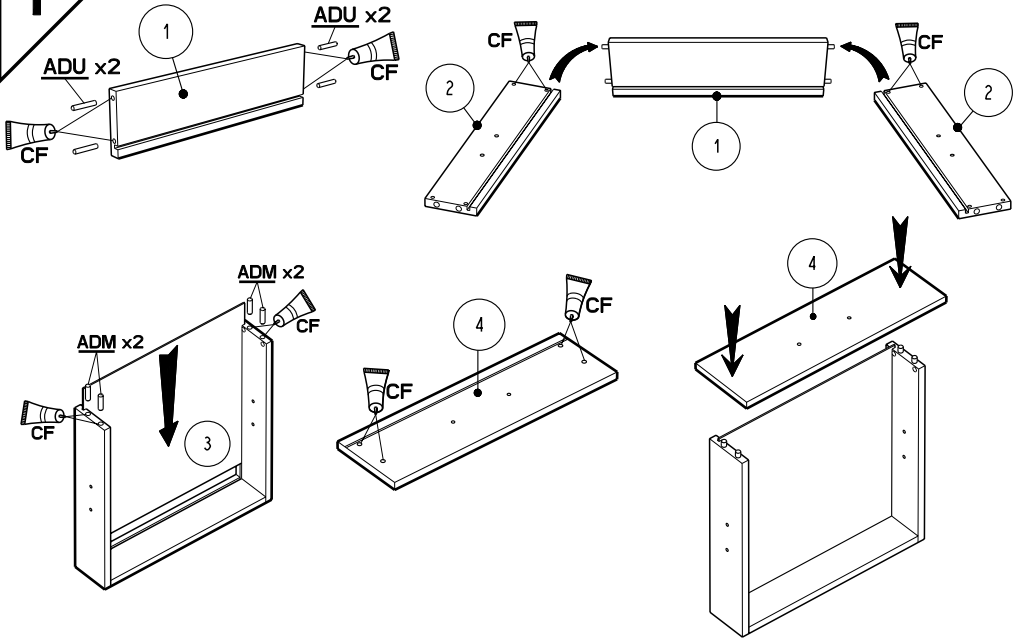


AFK x1

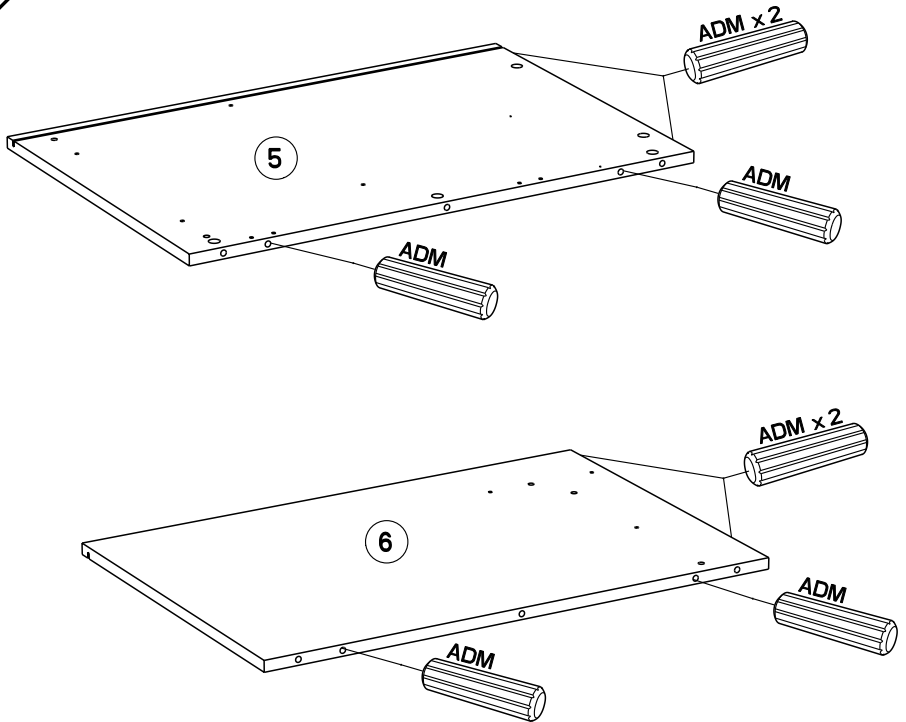


AFL x1

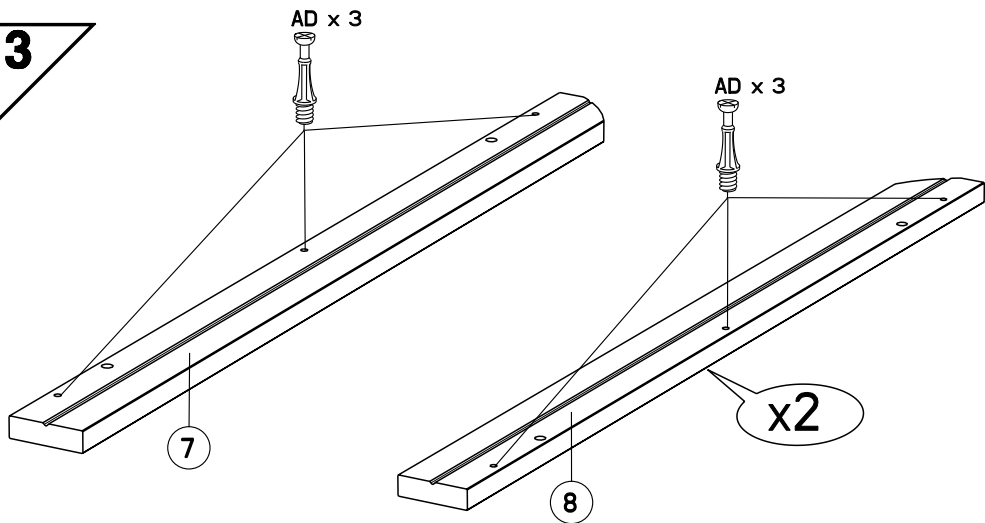
**1**



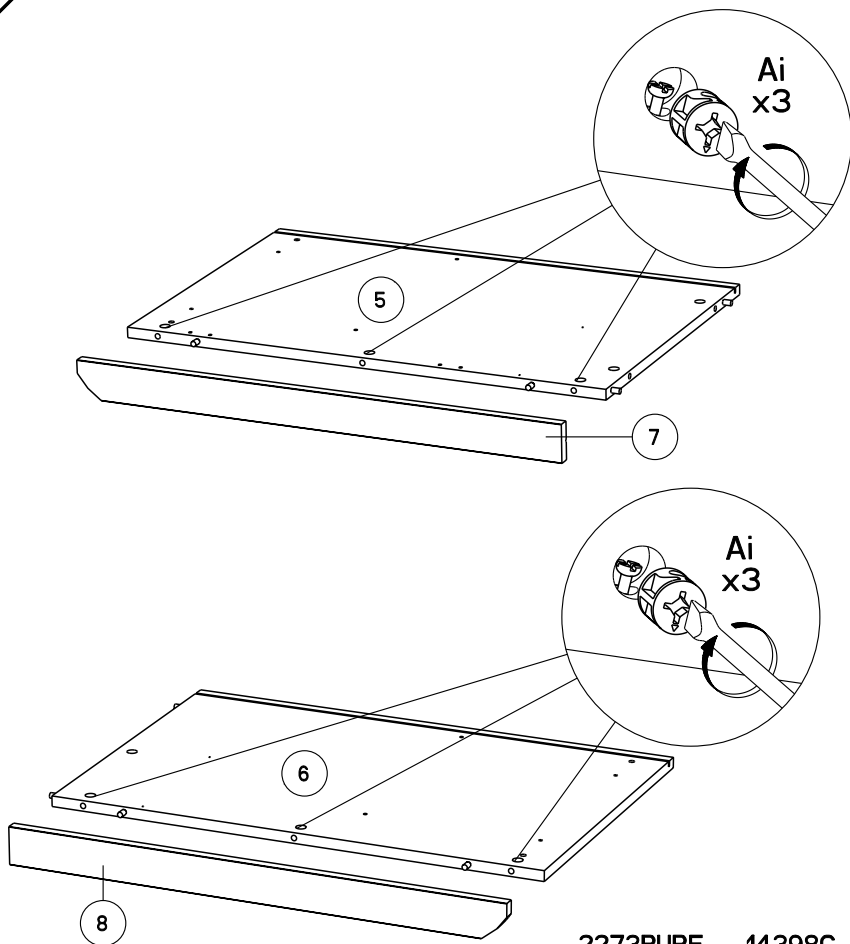
**2**



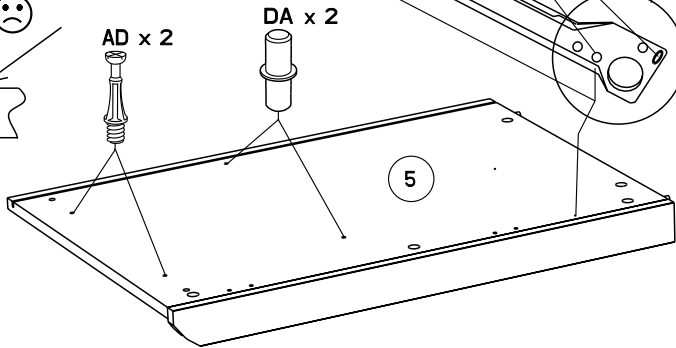
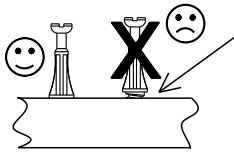
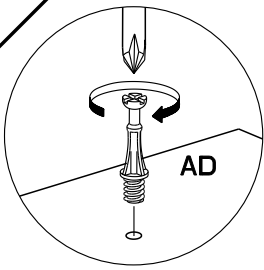
**3**



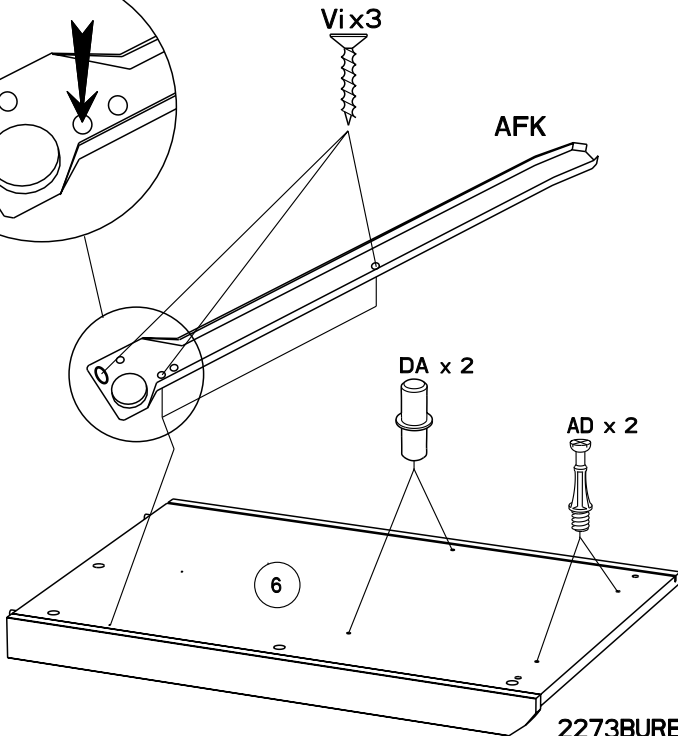
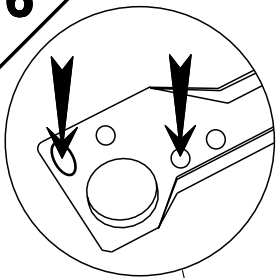
**4**



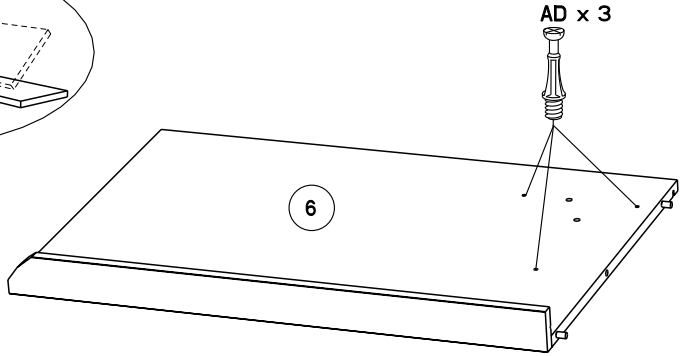
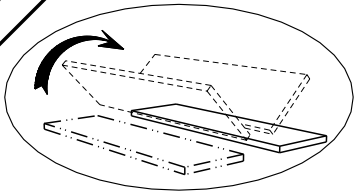
**5**



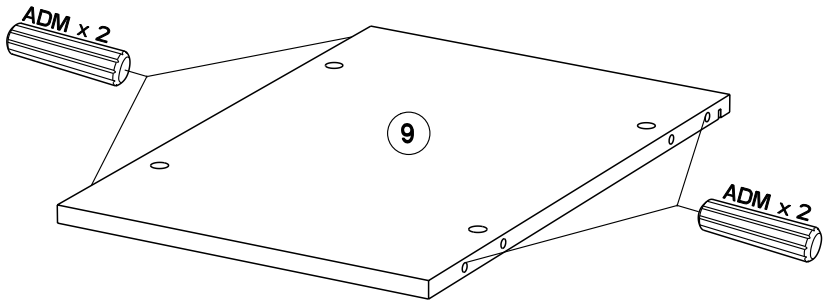
**6**



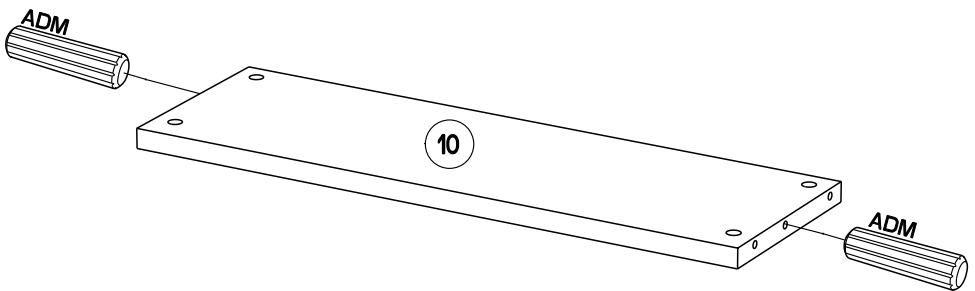
7



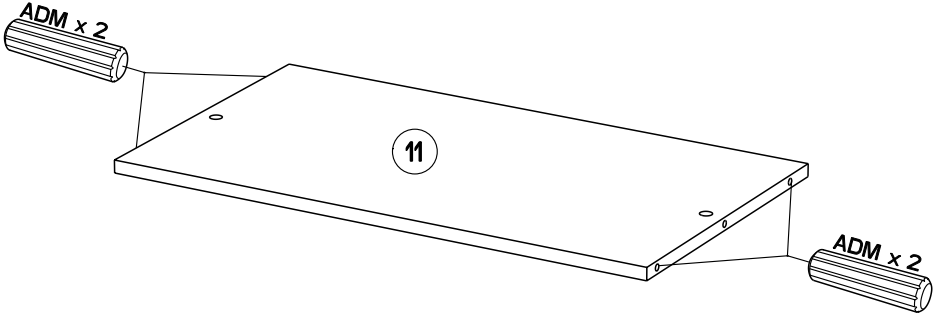
8



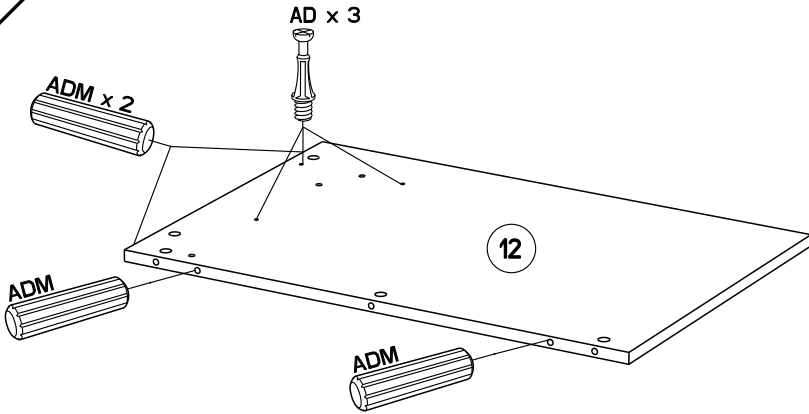
9



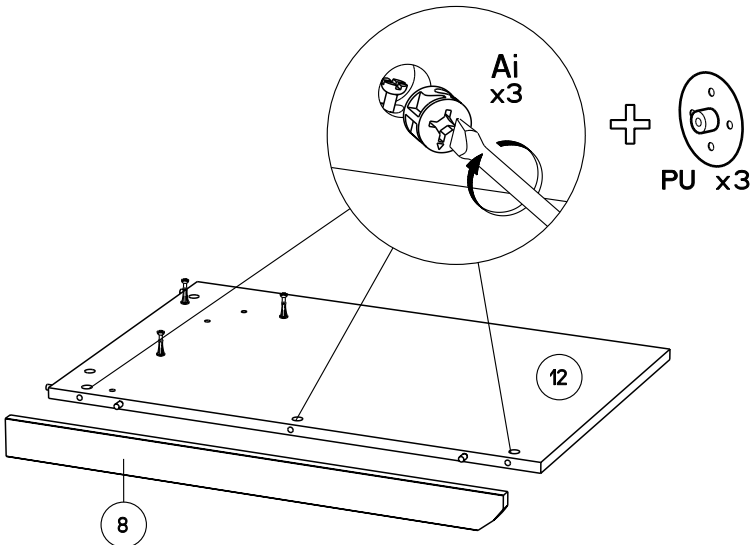
10



11

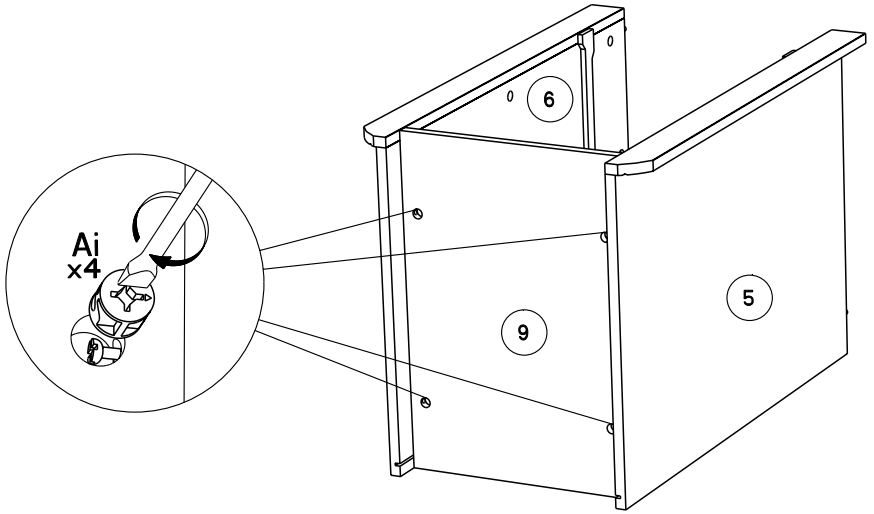


12

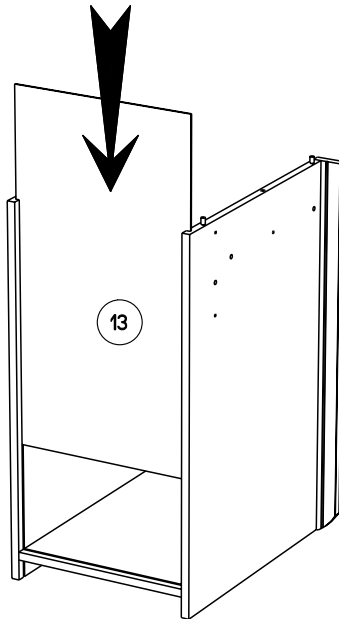




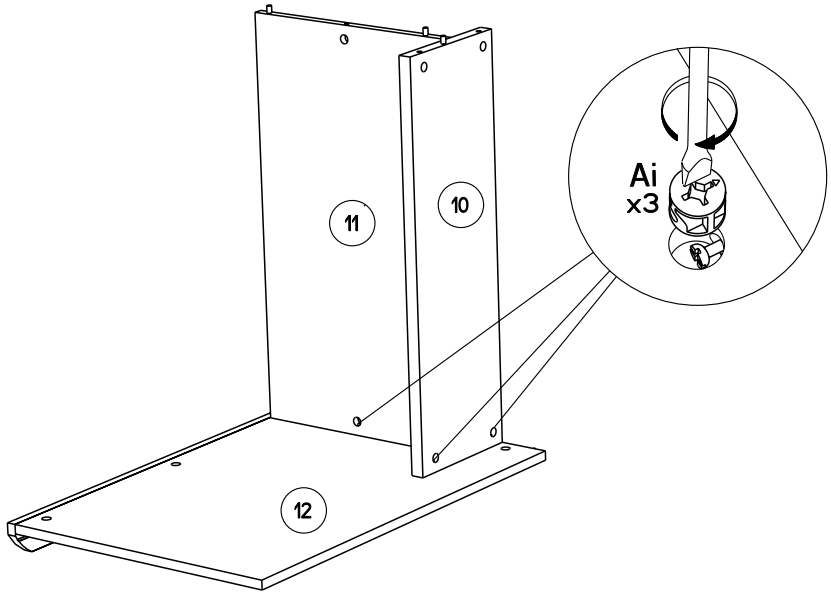
13



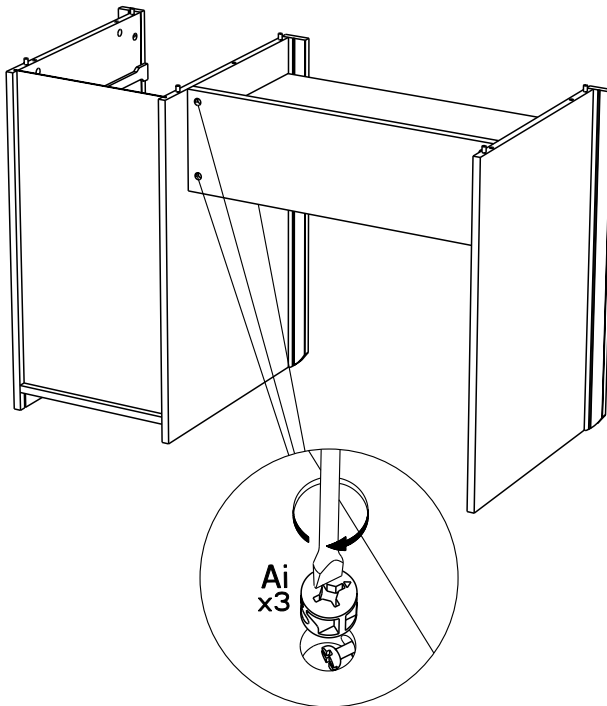
14



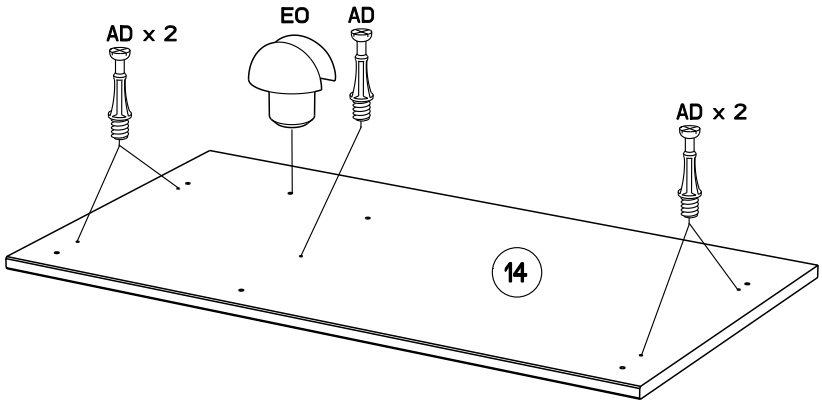
15



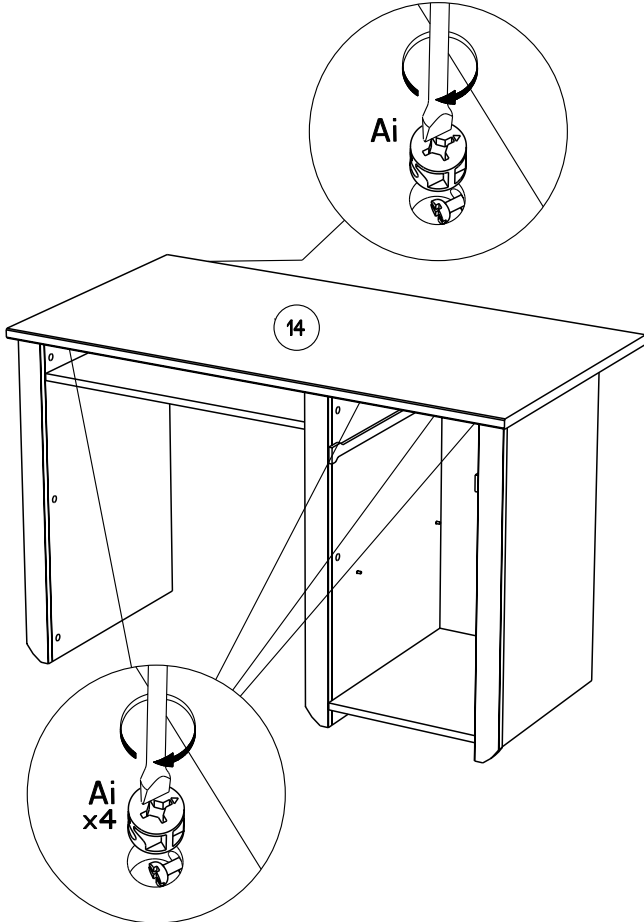
16



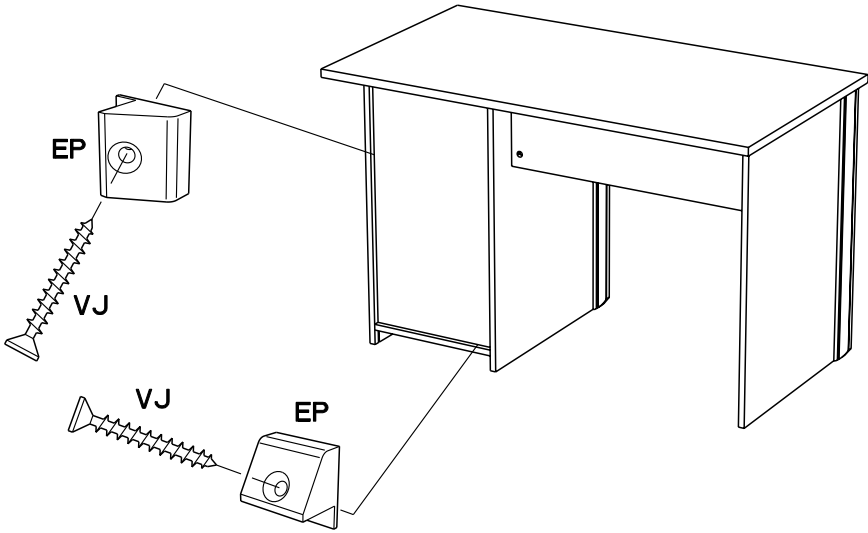
17



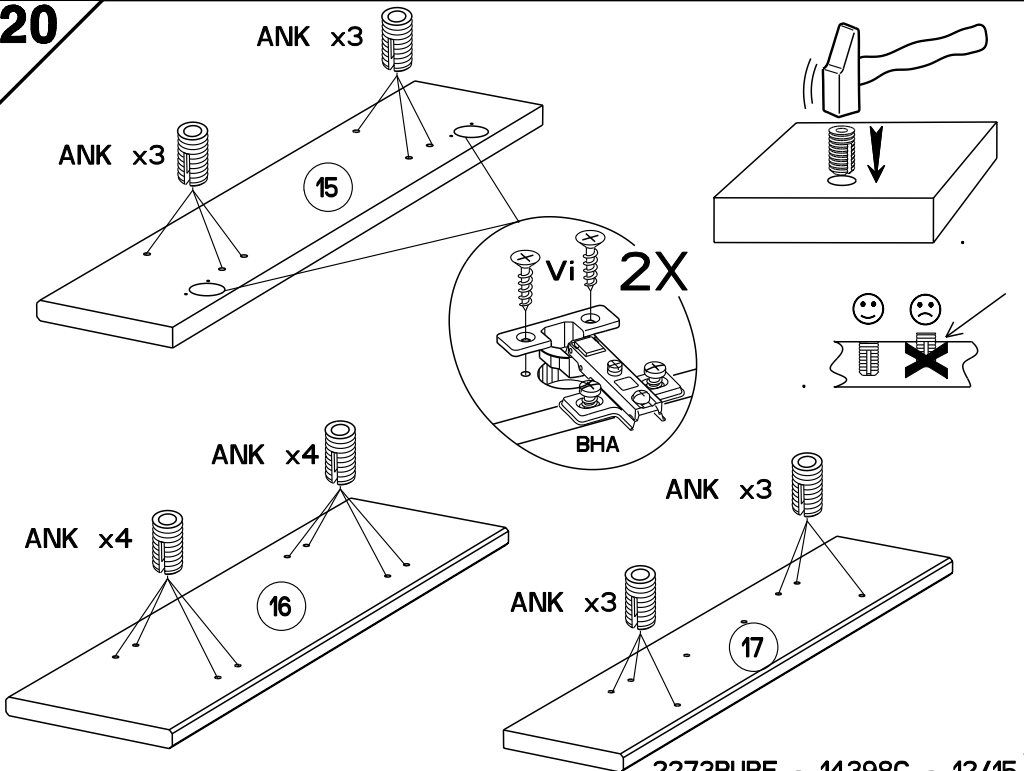
18



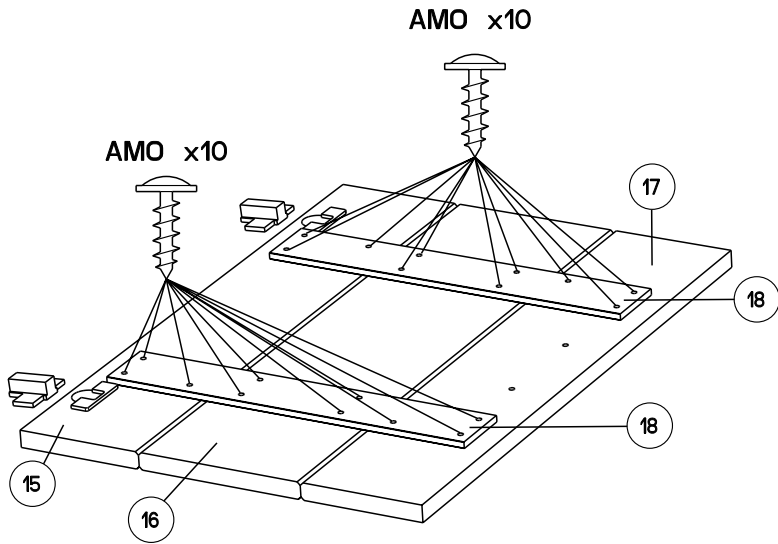
19



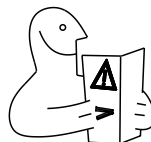
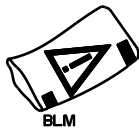
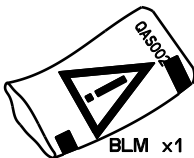
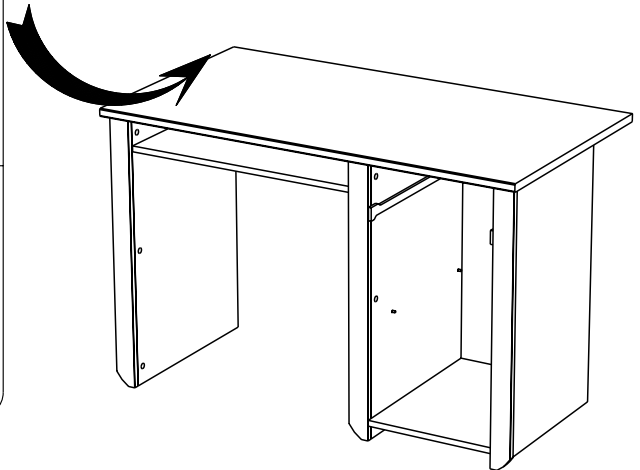
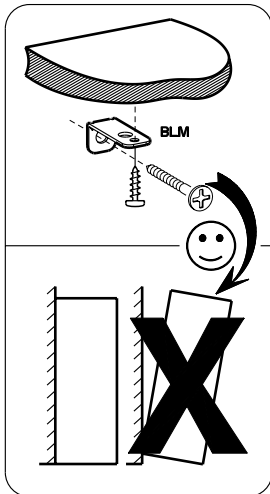
20



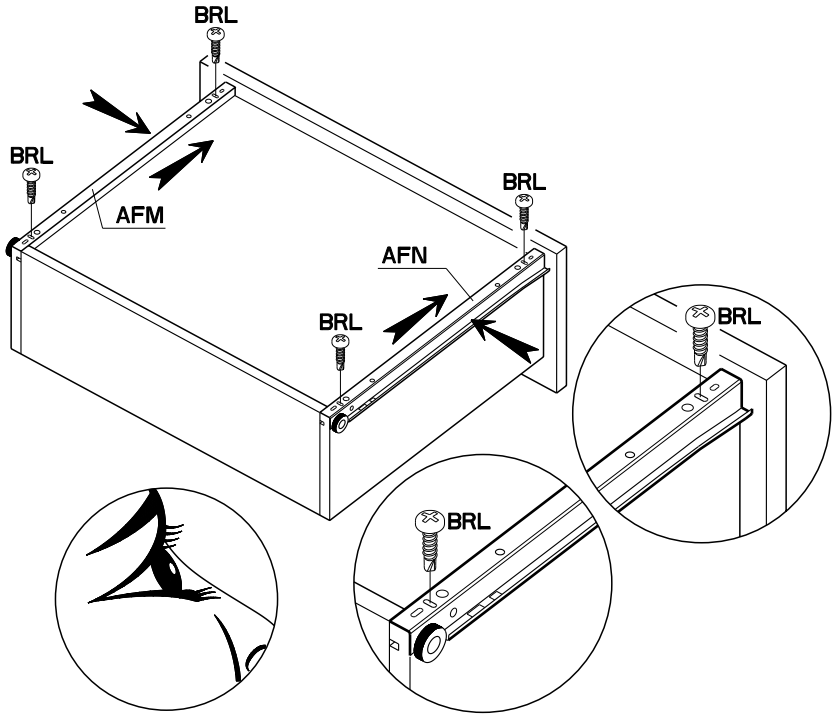
21



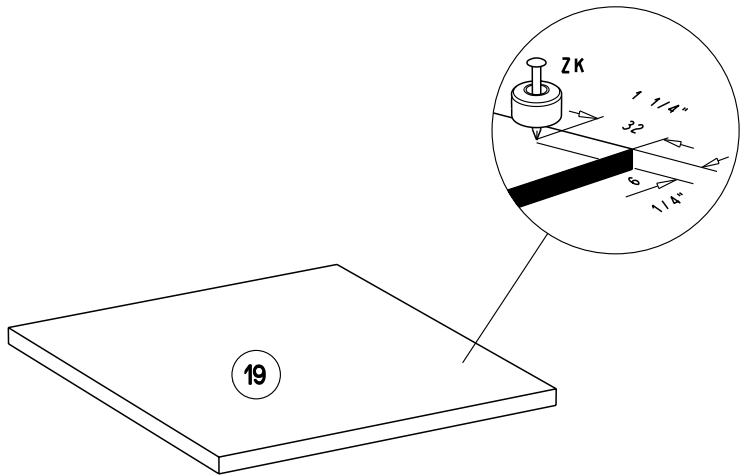
22

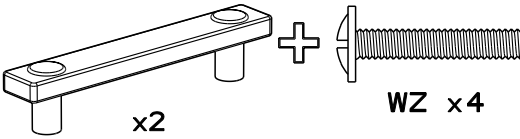
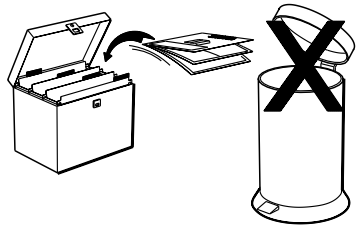
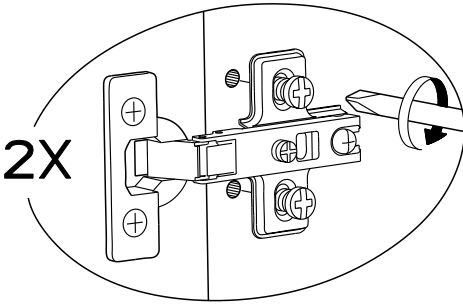
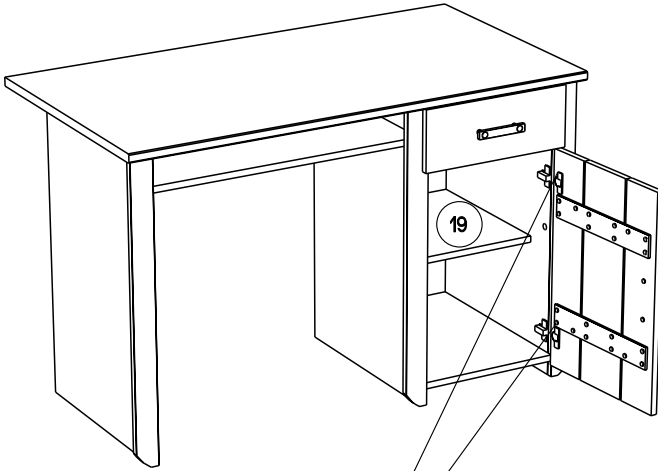


23



24





**F** REGLAGE    **GB** ADJUSTING    **E** AJUSTER    **I** AGGIUSTAMENTO  
**D** ANPASSUNG    **P** REGULACAO    **NL** AFSTELLING

