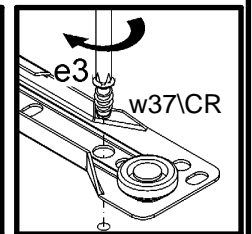
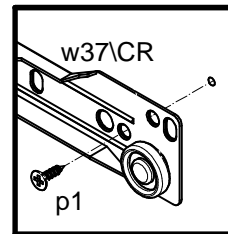
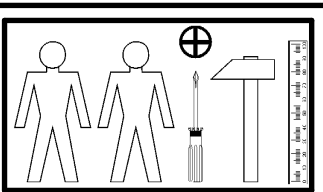
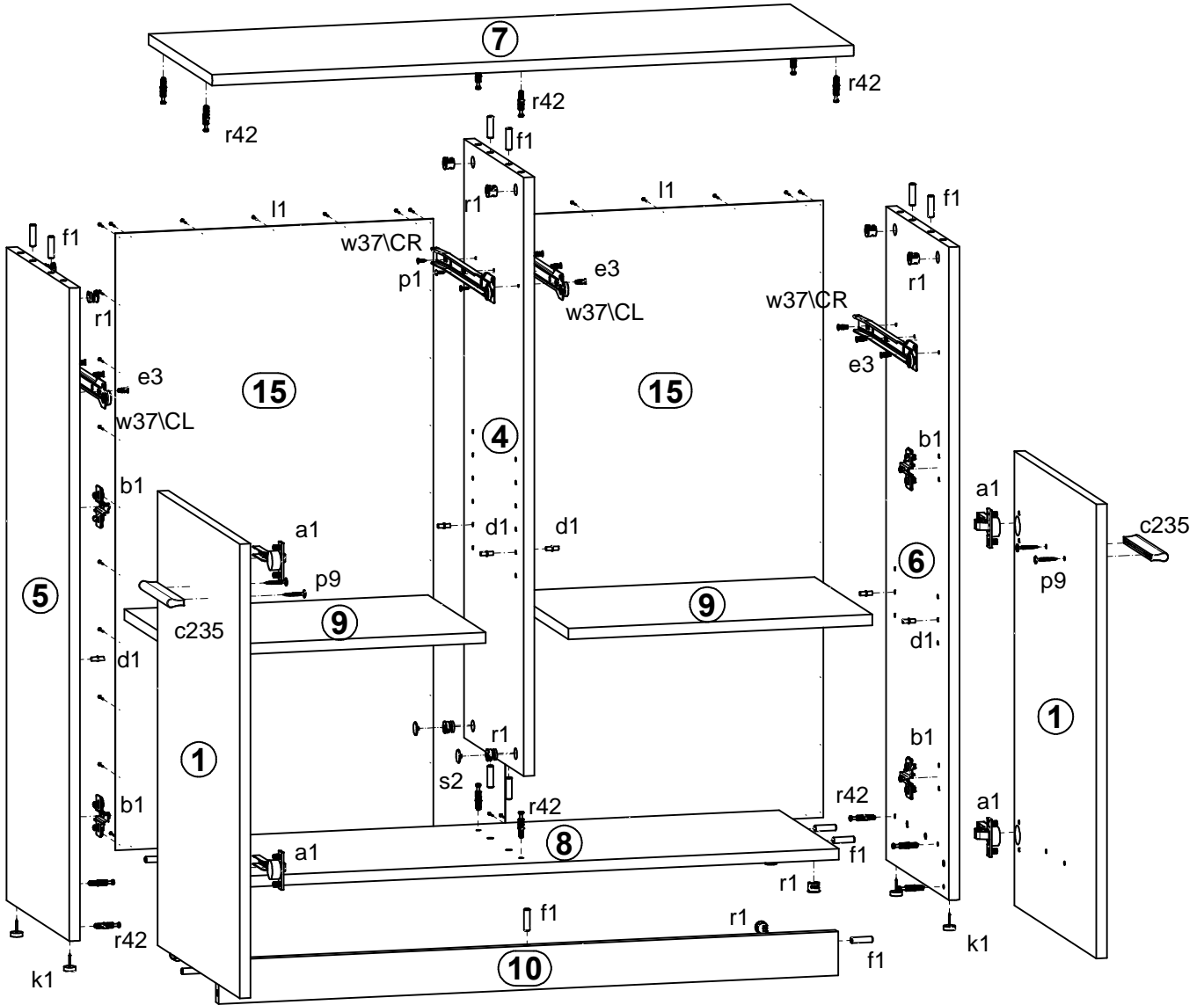
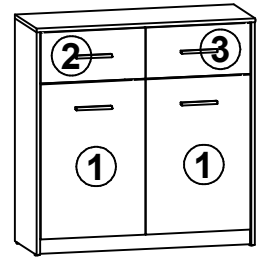


KOMX

S172-KOM2D2S/9/9

A	B	C	D	A	B	C	D		
1	S172-006	626	430	1/1	9	S172-305	426	302	1/1
2	S172-007	430	206	1/1	10	S172-402	869	60	1/1
3	S172-008	430	206	1/1	11	S172-501	300	120	1/1
4	S172-105	825	312	1/1	12	S172-502	300	120	1/1
5	S172-107	900	330	1/1	13	S172-505	378	120	1/1
6	S172-108	900	330	1/1	14	S172-905	388	298	1/1
7	S172-202	900	333	1/1	15	S172-906	850	446	1/1
8	S172-304	869	312	1/1					



4x a1	4x b1	4x L=96/128 mm c235	8x Ø5x17 mm d1	9x Ø6x13 mm e3	15x Ø8x30 mm f1	8x Ø6.5x40 mm f25	4x k1	60x l1
3x Ø3.5x13 mm p1	8x Ø3x12 mm p54	8x Ø4x30 mm p9	14x Ø15x12 mm #16 r1	8x Ø12x10.5 mm #12 r15	22x r42	2x Ø16 s2	2x 300 mm w37/CL	2x 300 mm w37/CR
2x 300 mm w37/DL	2x 300 mm w37/DR	1x n26/1	1x Ø3.5x16 mm p38					

1

