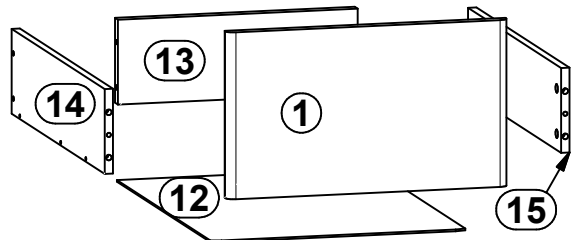
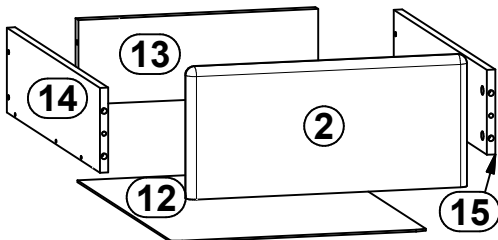
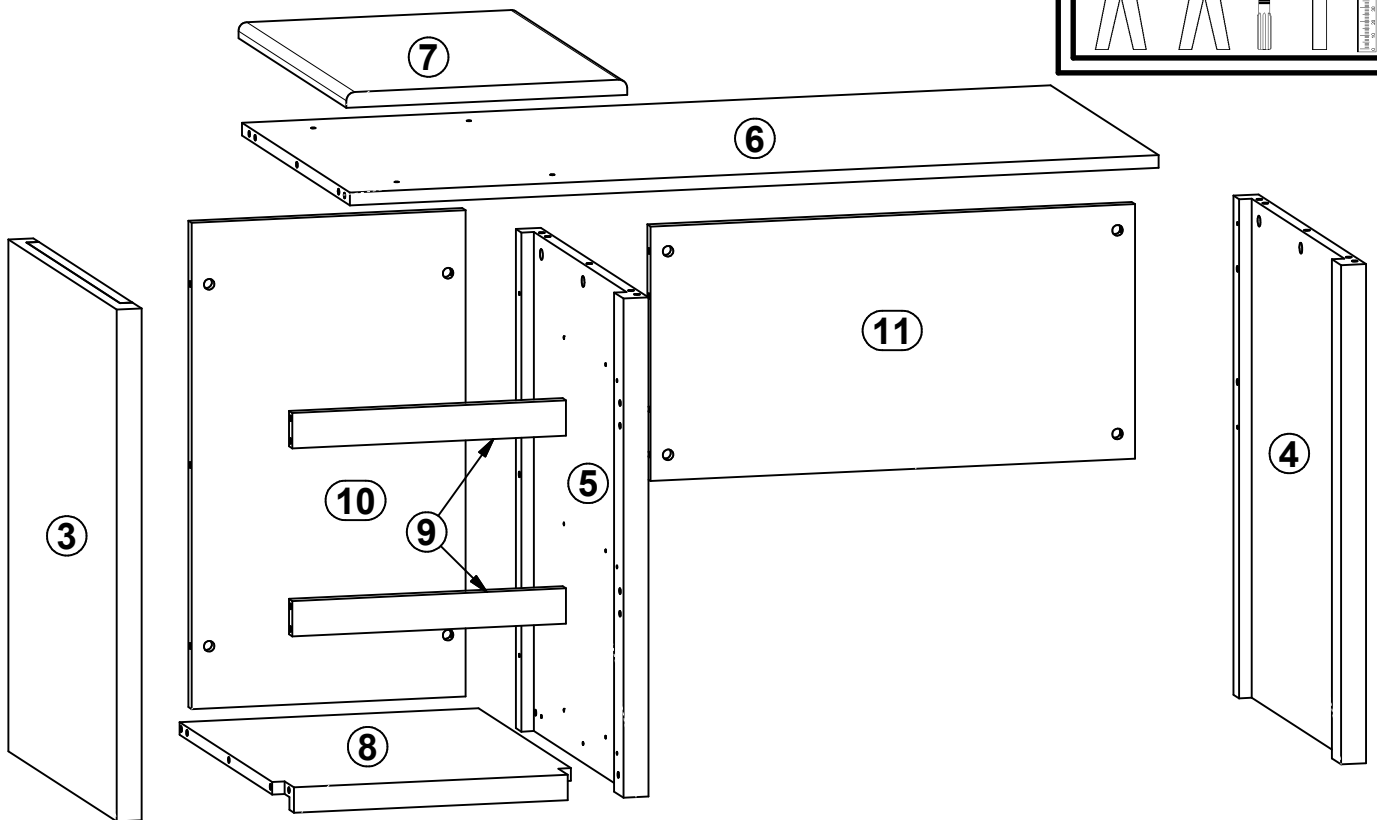
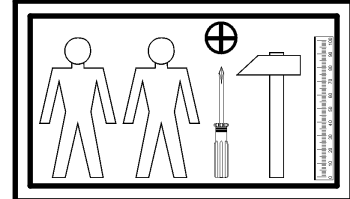
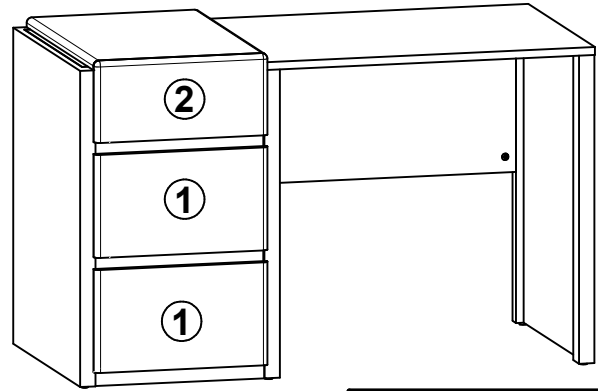
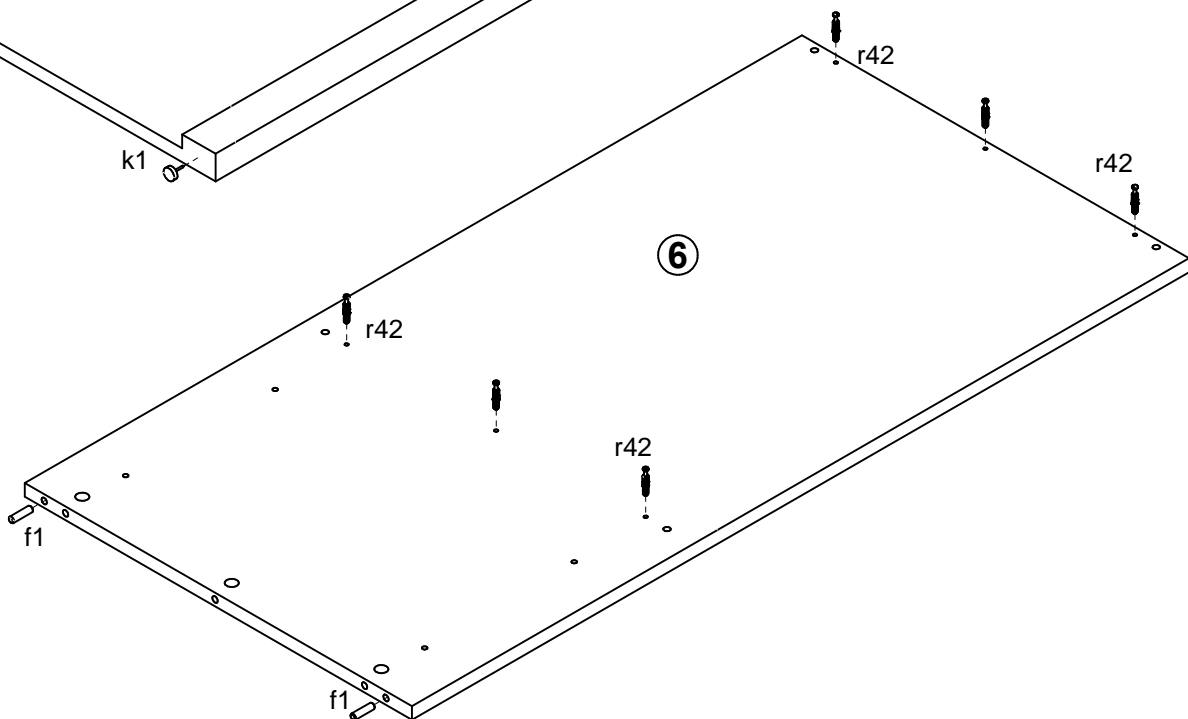
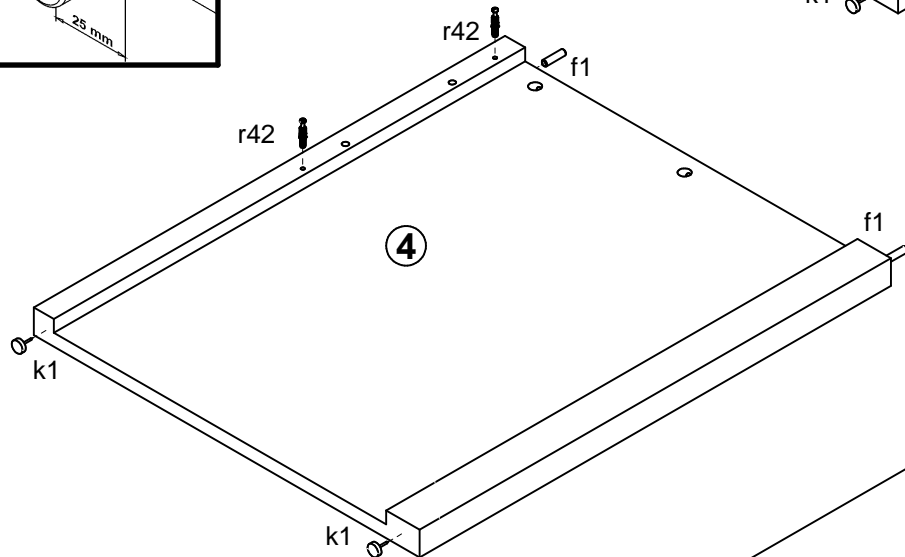
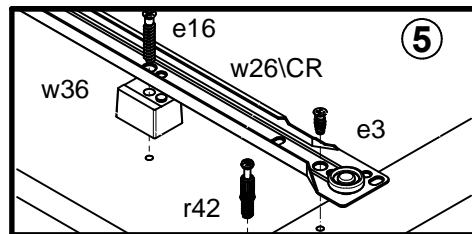
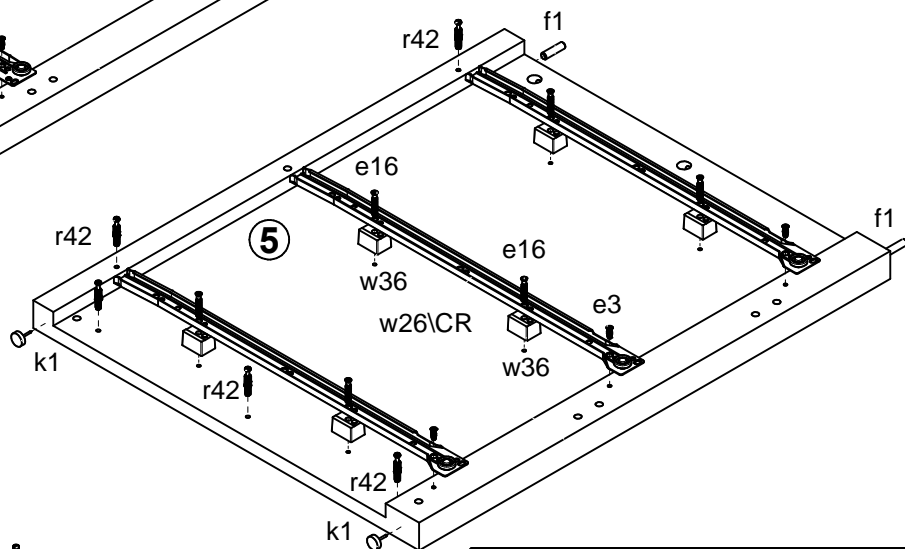
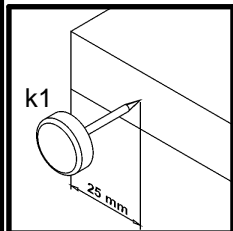
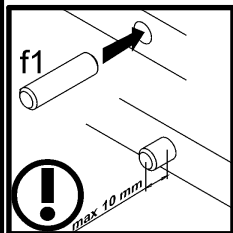
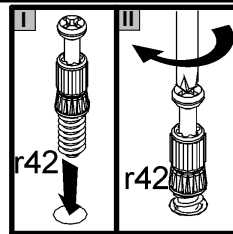
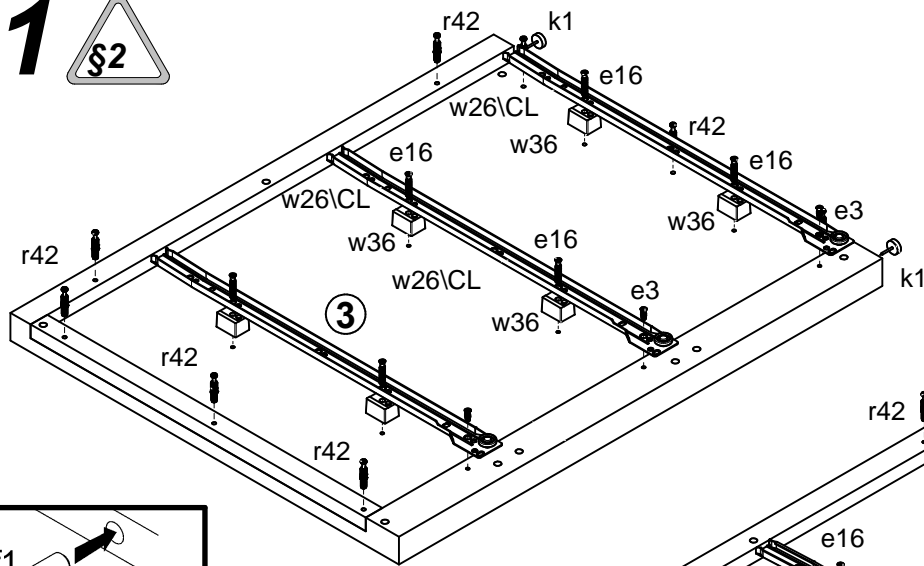


A	B	C	D
1	B07-004	404	236 3/3
2	B07-005	404	186 3/3
3	B07-101	724	582 1/3
4	B07-102	706	578 1/3
5	B07-103	706	578 1/3
6	B07-201	1164	580 2/3
7	B07-204	404	580 3/3
8	B07-301	430	547 1/3
9	B07-401	394	50 1/3
10	B07-402	394	688 1/3
11	B07-403	697	360 1/3
12	B07-903	367	505 3/3
13	ZS3-5611	345	120 2/3
14	ZS4-505	500	120 2/3
15	ZS4-506	500	120 2/3

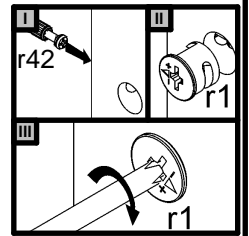
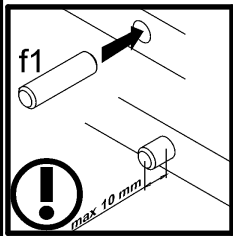
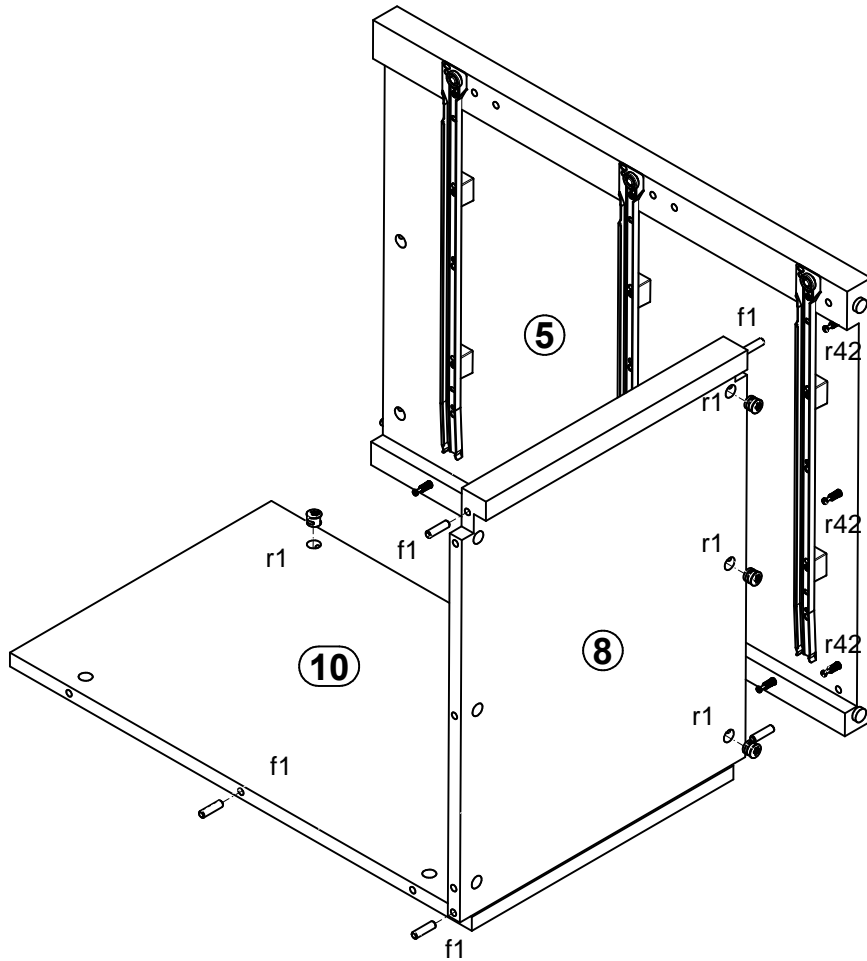


6x Ø6x13 mm e3	12x Ø6x30 mm e16	18x Ø5x9 mm e19	4x Ø7x28 mm e22	24x Ø8x30 mm f1	6x Ø6x30 mm f9	12x Ø6.5x40 mm f25	6x k1	9x Ø3.5x16 mm p38
23x Ø15x12 mm #16 r1	12x Ø12x10.5 mm #12 r15	35x r42	3x 500 mm w26\CL	3x 500 mm w26\CR	3x 500 mm w26\DL	3x 500 mm w26\DR	12x H=18 mm w36	7x Ø16 s2
1x z1								

1 



# 2



# 3

