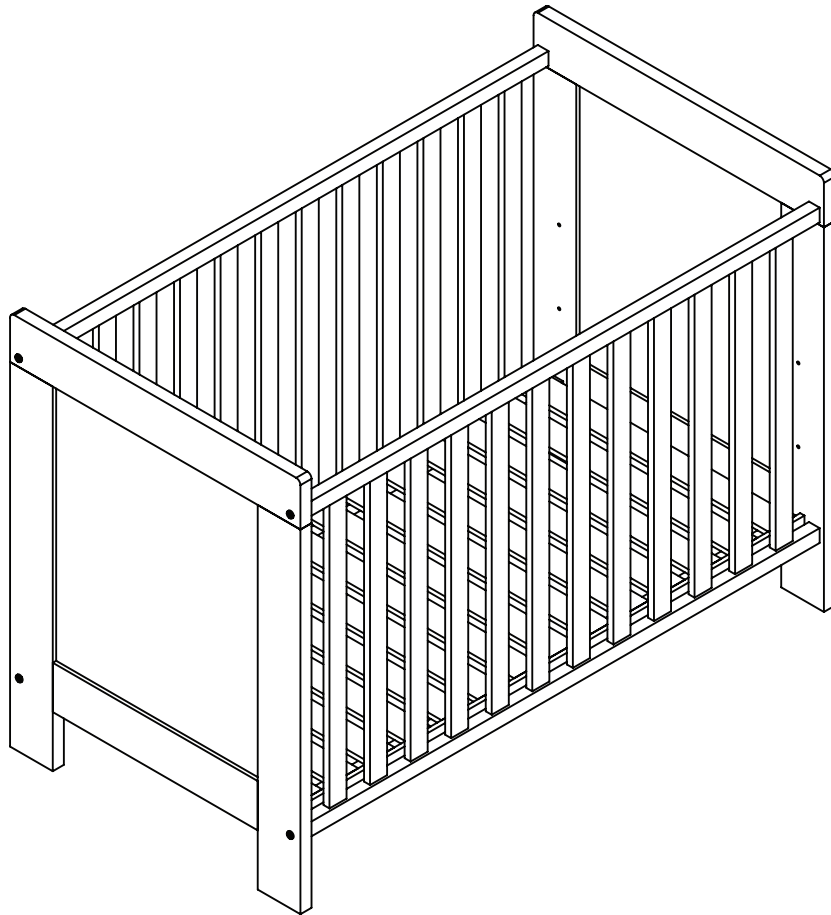


Jack&Lily

Cot Deluxe
Instruction Manual



IMPORTANT!
RETAIN FOR FUTURE REFERENCE
PLEASE READ CAREFULLY

Thank you for purchasing a Jack&Lily product. Please read the warnings and instructions carefully before use to ensure safe and satisfactory operation of this product.

Your child`s safety is your responsibility. If you have questions with this product or require replacement parts please contact your Jack&Lily reseller.

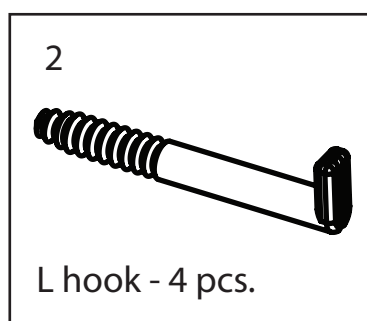
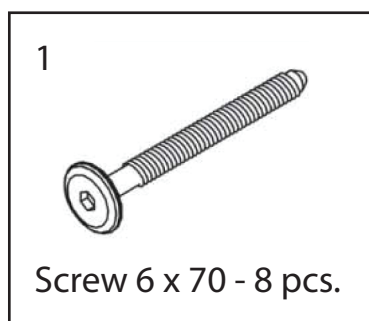
Lay out the parts on a soft level surface and compare to the parts and fixings check-list on this page. Do not discard any packaging until you are sure that you have all the parts.

Keep children clear during assembly as pack contains small parts which may present a choking hazard.

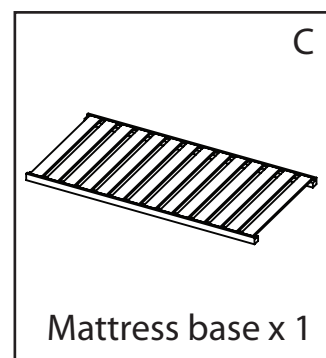
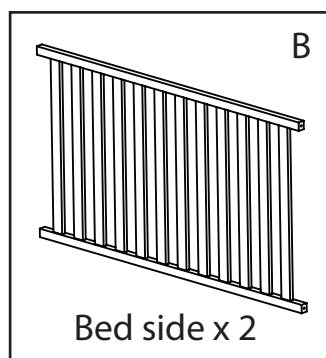
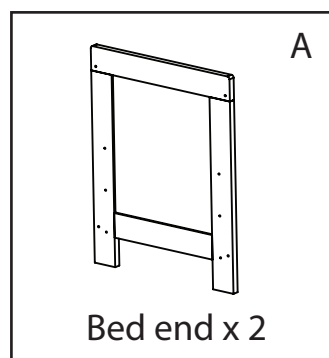
Recommended mattress: 120 x 60 cm

This product complies with BS EN 716-1:2008

Fixings



Parts



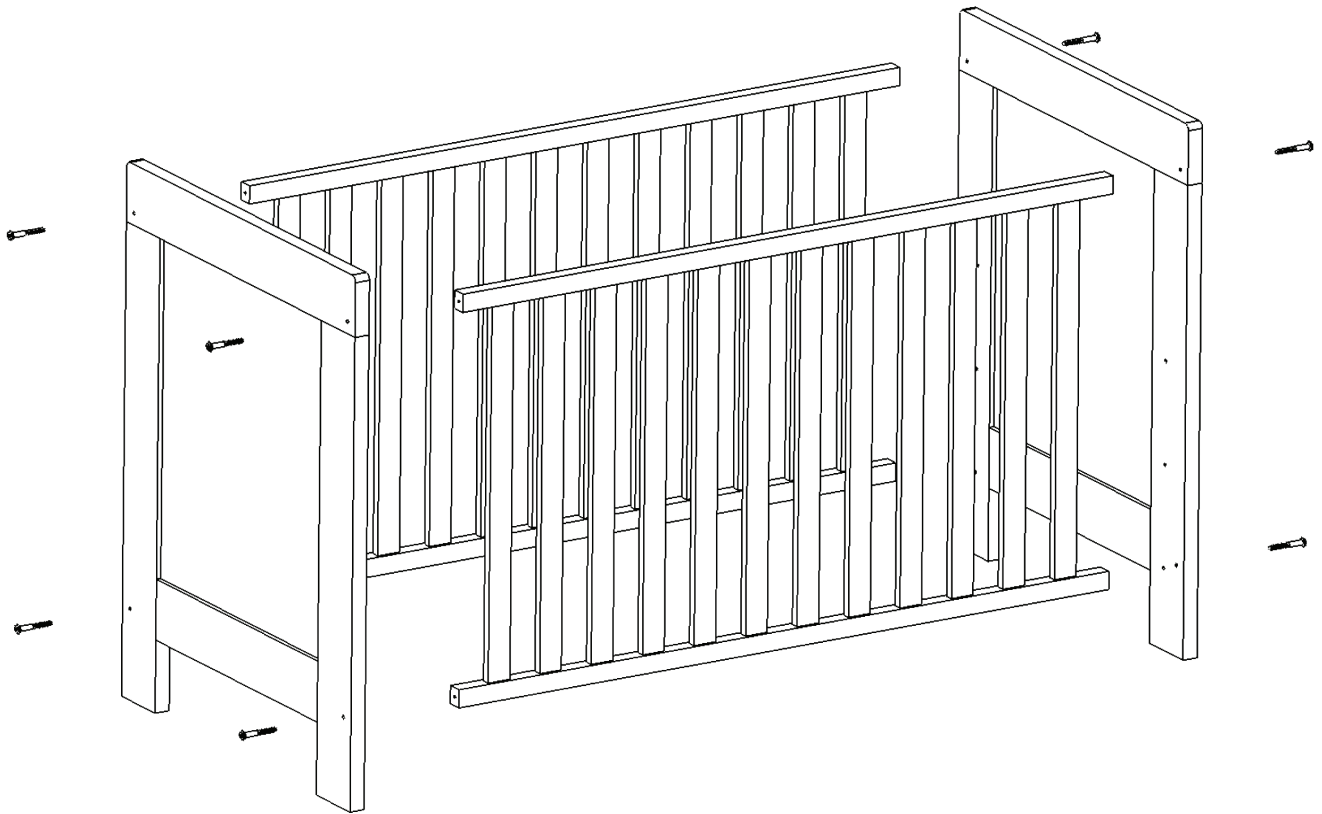
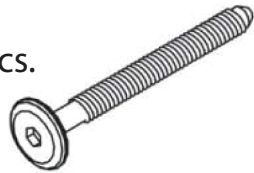
You need:

1 x Allen Key (included)

1 x Flat Head Screwdriver

Step 1

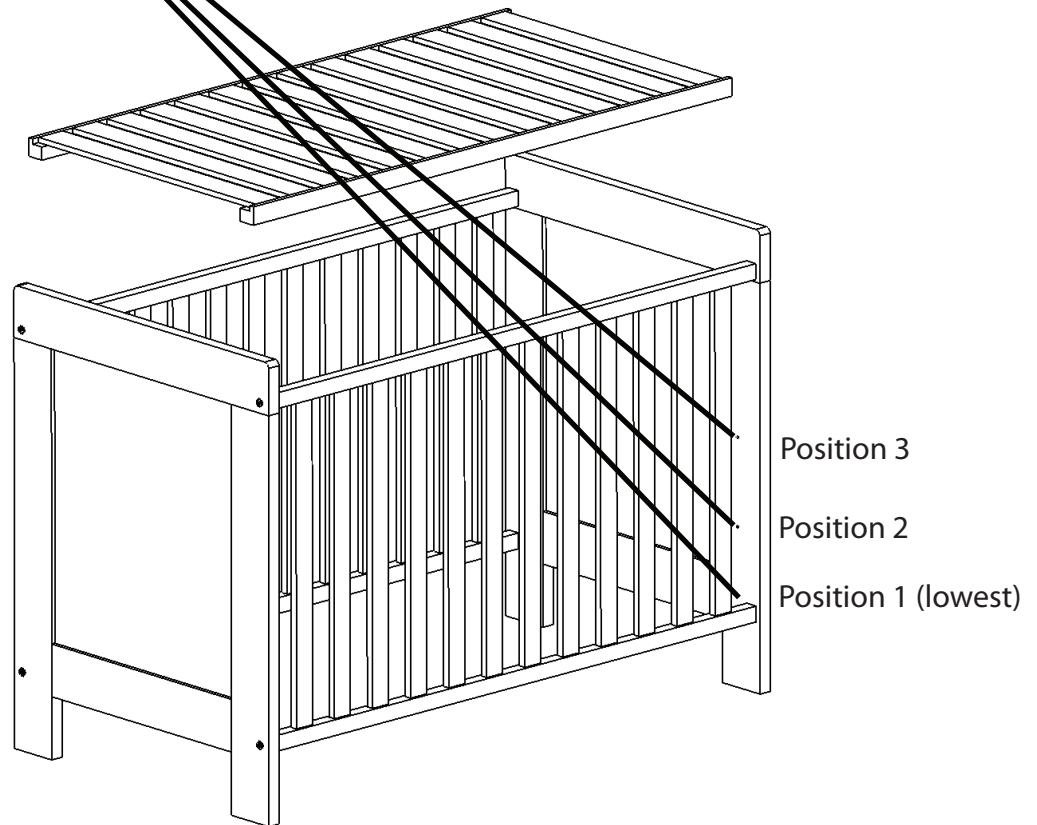
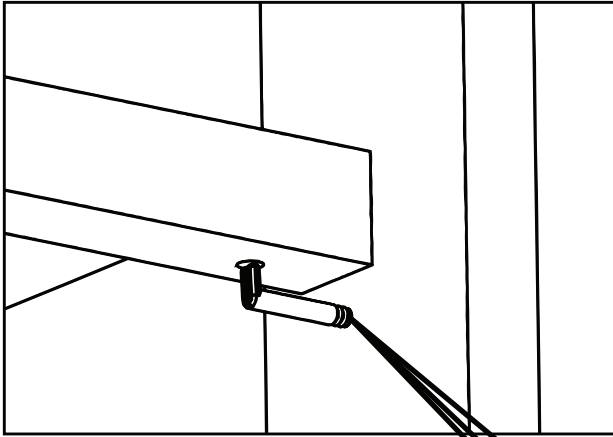
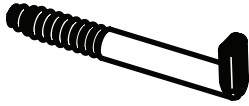
Screw 6 x 70 - 8 pcs.



Attach the bed sides (B) to the bed ends (A) using the screws and the allen key. This is more easily done by two persons. One holding the bed sides and ends together while the other one screws in the screws.

Step 2

L - Hook x 4



The Deluxe Cot has a choice of three mattress heights. The lowest position is the safest.

Choose the height level and screw the L-hooks into holes inside the bed ends using a flat head screwdriver so that they face upwards. Then align the mattress base to the hooks and lower it into position so that the hooks enter the holes under the mattress base. Make sure that the mattress base is securely in place.

Care and Maintenance

Clean the furniture by wiping with a damp cloth and dry with a soft clean cloth. Do not use abrasives, alcohol, bleach or ammonia-based household polishes.

Handle or move the furniture carefully to avoid damage.

Safety Notes

Furniture can be dangerous when incorrectly installed. Assembly must be carried out by a competent person.

Keep children clear during assembly as pack contains small parts which may present a choking hazard.

Warning: Be aware of open fires and other such sources of strong heat, such as electric bar fires, gas fires, etc. in the near vicinity of the cot.

Warning: Do not use the cot if any part is missing, broken or torn. Use only spare parts approved by the manufacturer.

Warning: Do not leave anything in the cot or place the cot close to another product, which could provide a foothold or present a danger of suffocation or strangulation (strings, blind/curtain cords etc.)

Warning: Do not use more than one mattress in the cot.

The lowest mattress base position is the safest. Use this as soon as the baby is old enough to sit up.

The thickness of the mattress chosen must not reduce the internal depth (from the top of the mattress surface to the top of the side) to less than 500 mm with the base in the lowest position or 200 mm with the base in the highest position.

The mattress should be no more than 30 mm shorter or narrower than the internal length or width of the cot.

All assembly fixings must be tightened properly. Periodically check all the fixings to ensure that none have come loose and that there is no risk of clothes or parts of the body to become trapped or snagged.

To prevent falls, when the child is able to climb out of the cot, the cot should no longer be used for that child.

Do not allow your child to jump on the cot. This may result in damage to the furniture and/or injury to your child.

Retain this information for future reference.