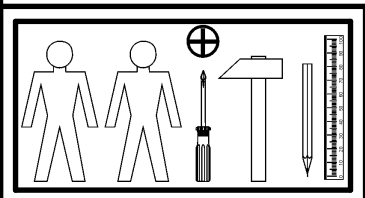
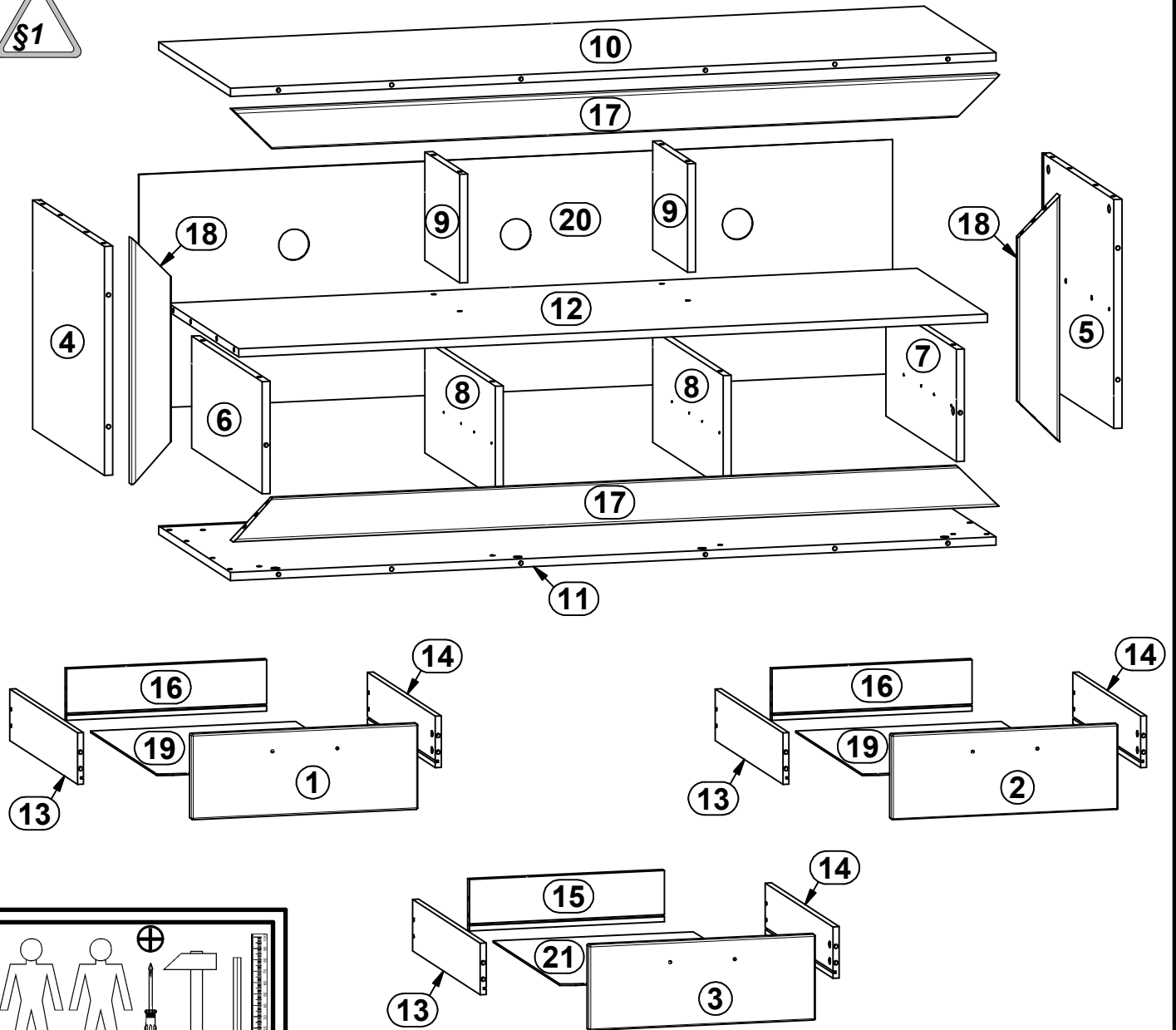
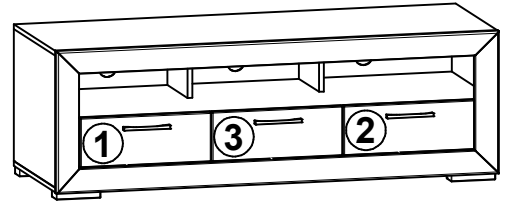
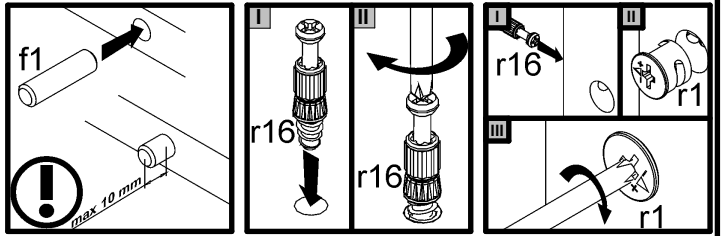
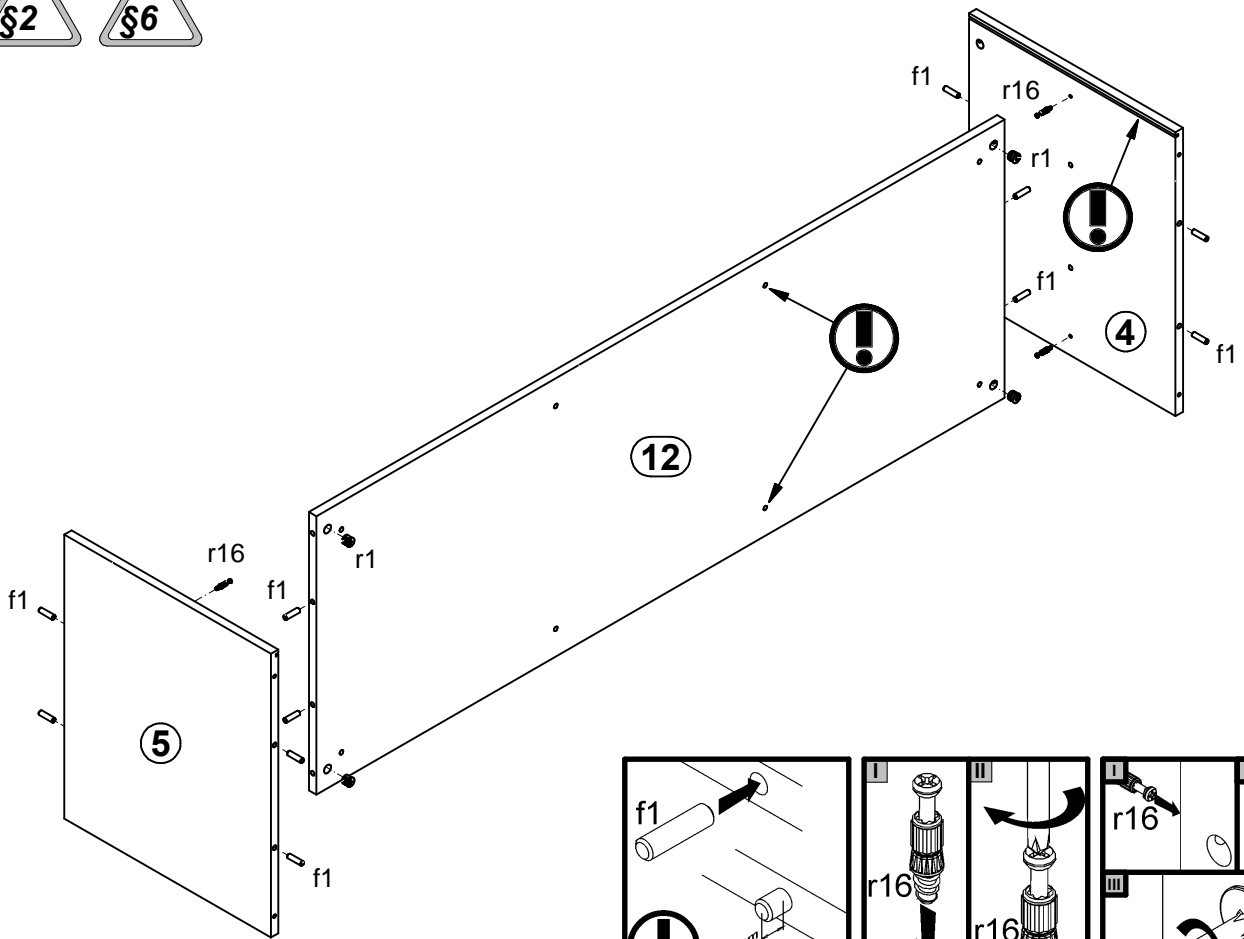


A	B	C	D	A	B	C	D		
1	S125-043	448	166	1/2	12	S125-323	1482	520	1/2
2	S125-044	448	166	1/2	13	S125-504	500	100	1/2
3	S125-045	448	166	1/2	14	S125-505	500	100	1/2
4	S125-106	445	530	1/2	15	S125-520	386	100	1/2
5	S125-107	445	530	1/2	16	S125-521	396	100	1/2
6	S125-108	218	520	1/2	17	S125-574	1516	80	2/2
7	S125-109	218	520	1/2	18	S125-582	479	80	2/2
8	S125-110	218	520	1/2	19	S125-917	406	498	1/2
9	S125-111	211	257	1/2	20	S125-918	1492	455	1/2
10	S125-218	1515	530	1/2	21	S125-919	396	498	1/2
11	S125-219	1515	530	1/2					

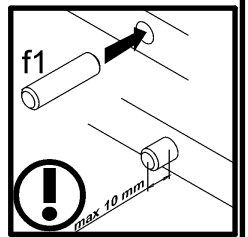
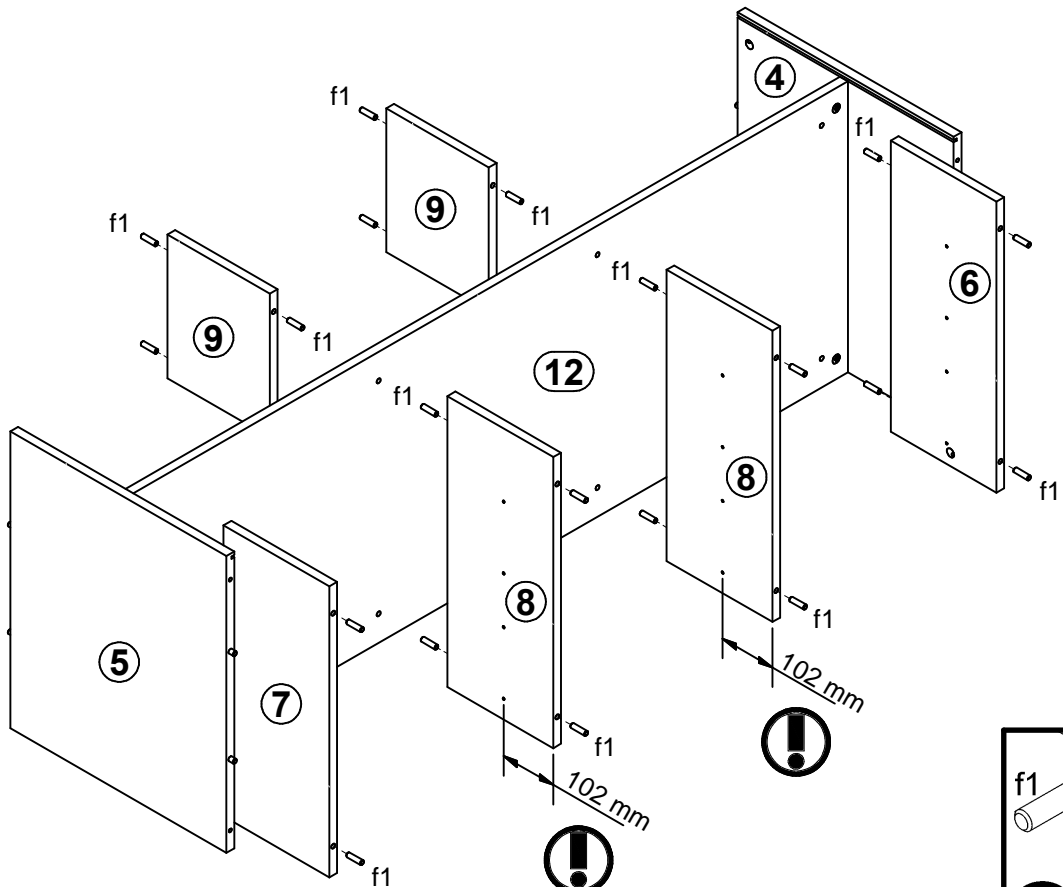


3x  c347	4x  φ7x50 mm e1	16x  φ6x13 mm e3	52x  φ8x30 mm f1	12x  φ5.5x40 mm f25	6x  M4x22 mm j30	2x  151x61.25 mm k54	3x  k55	30x  l1
6x  silikon o21	8x  φ3.5x13 mm p1	6x  φ4x35 mm p6	6x  φ4x30 mm p21	12x  φ3x12 mm p54	26x  φ1.5x12mm #16 r1	4x  r10	12x  φ12x10.5mm #12 r15	30x  r16
3x  500 mm w26\CL	3x  500 mm w26\CR	3x  500 mm w26\DL	3x  500 mm w26\DR	1x  z1				

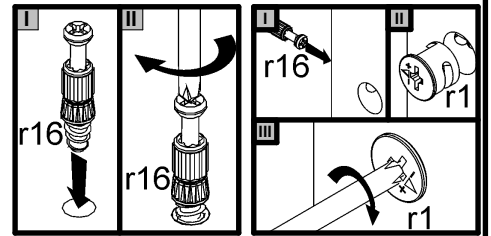
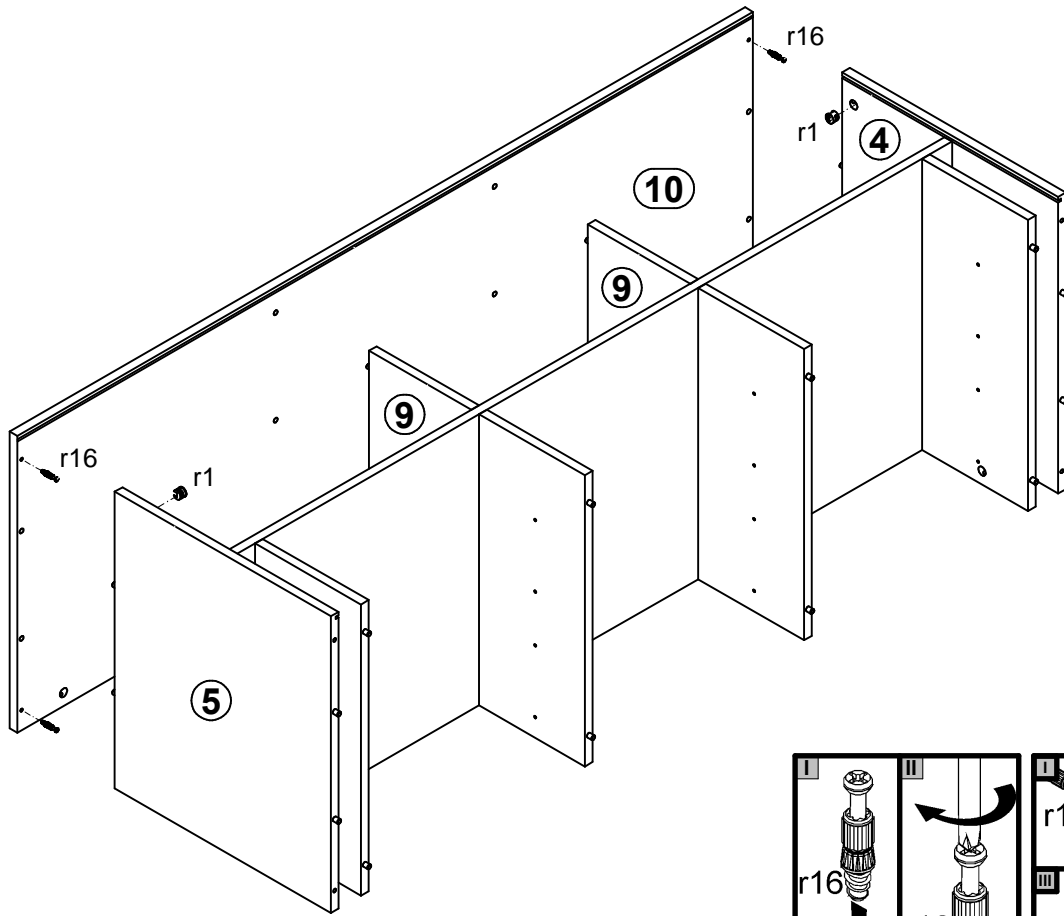
1



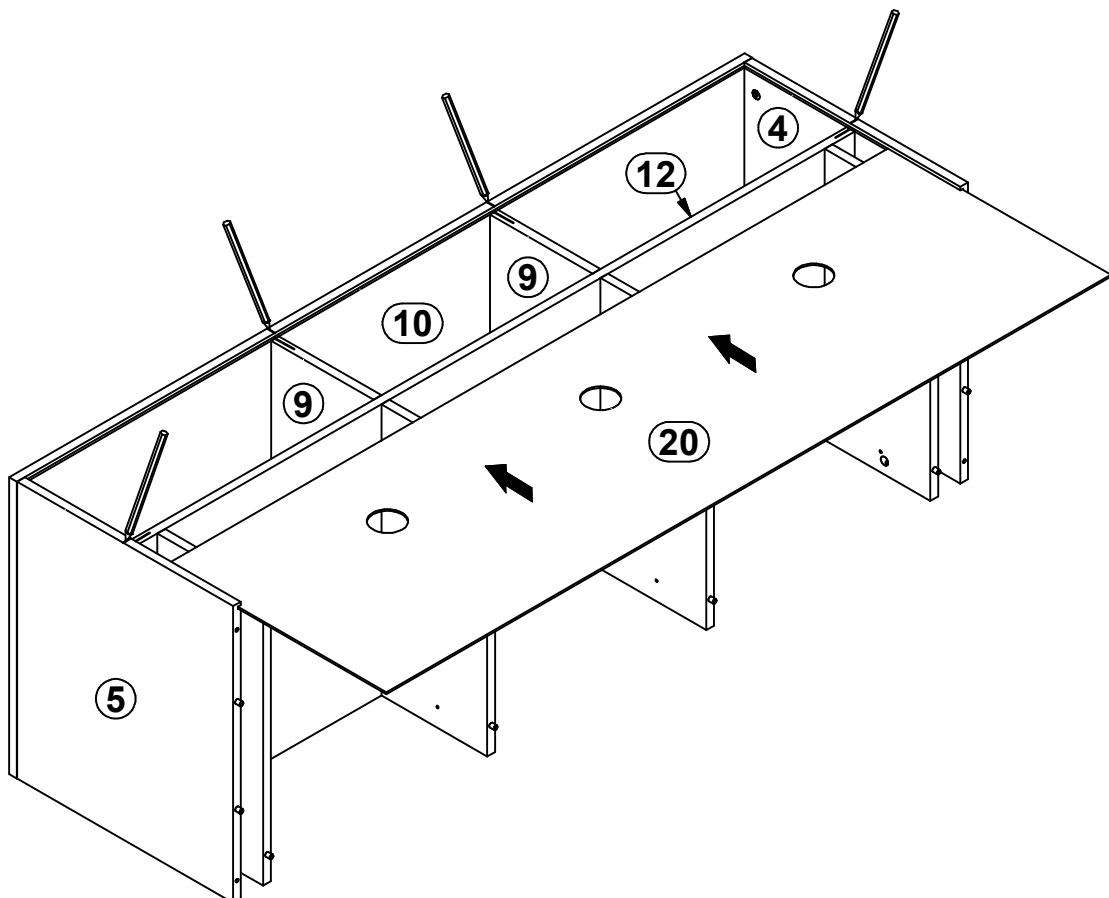
2



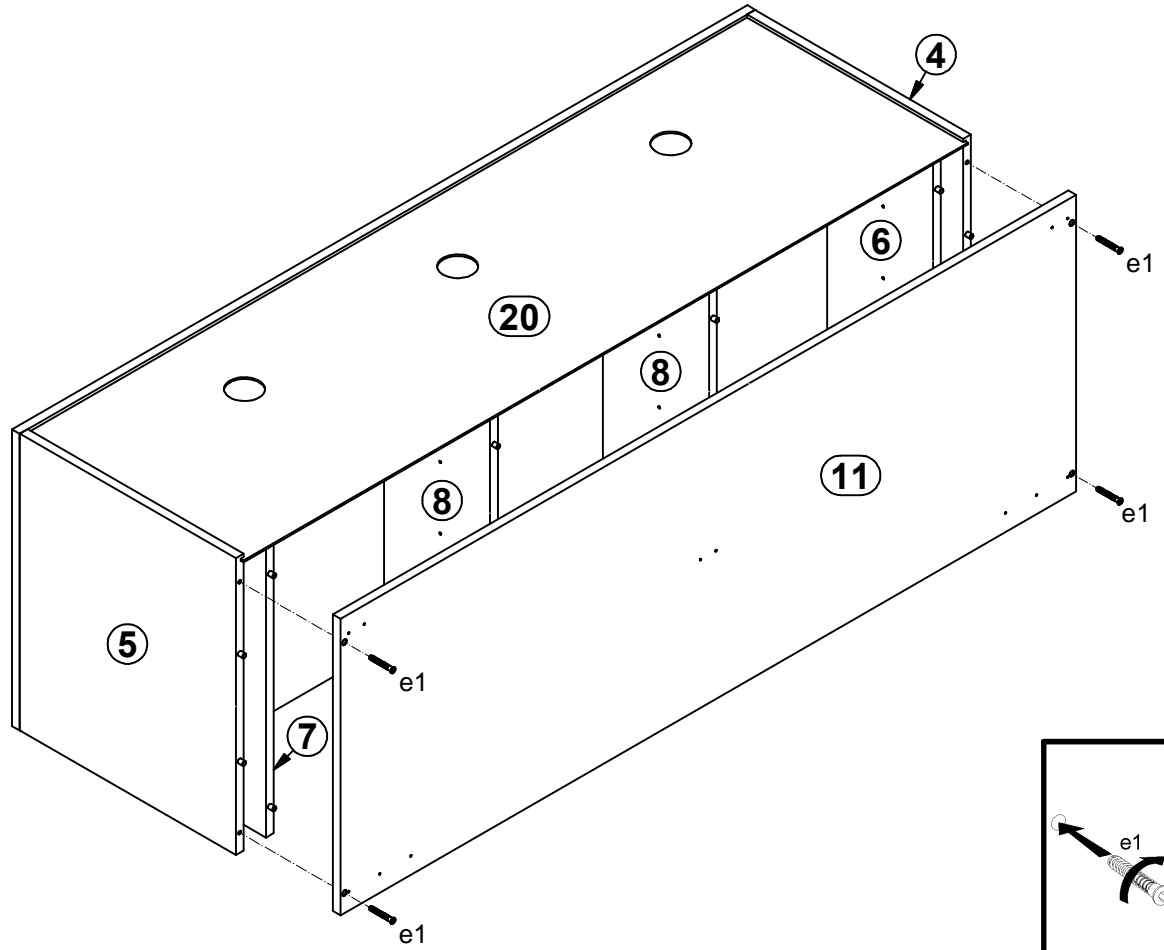
# 3



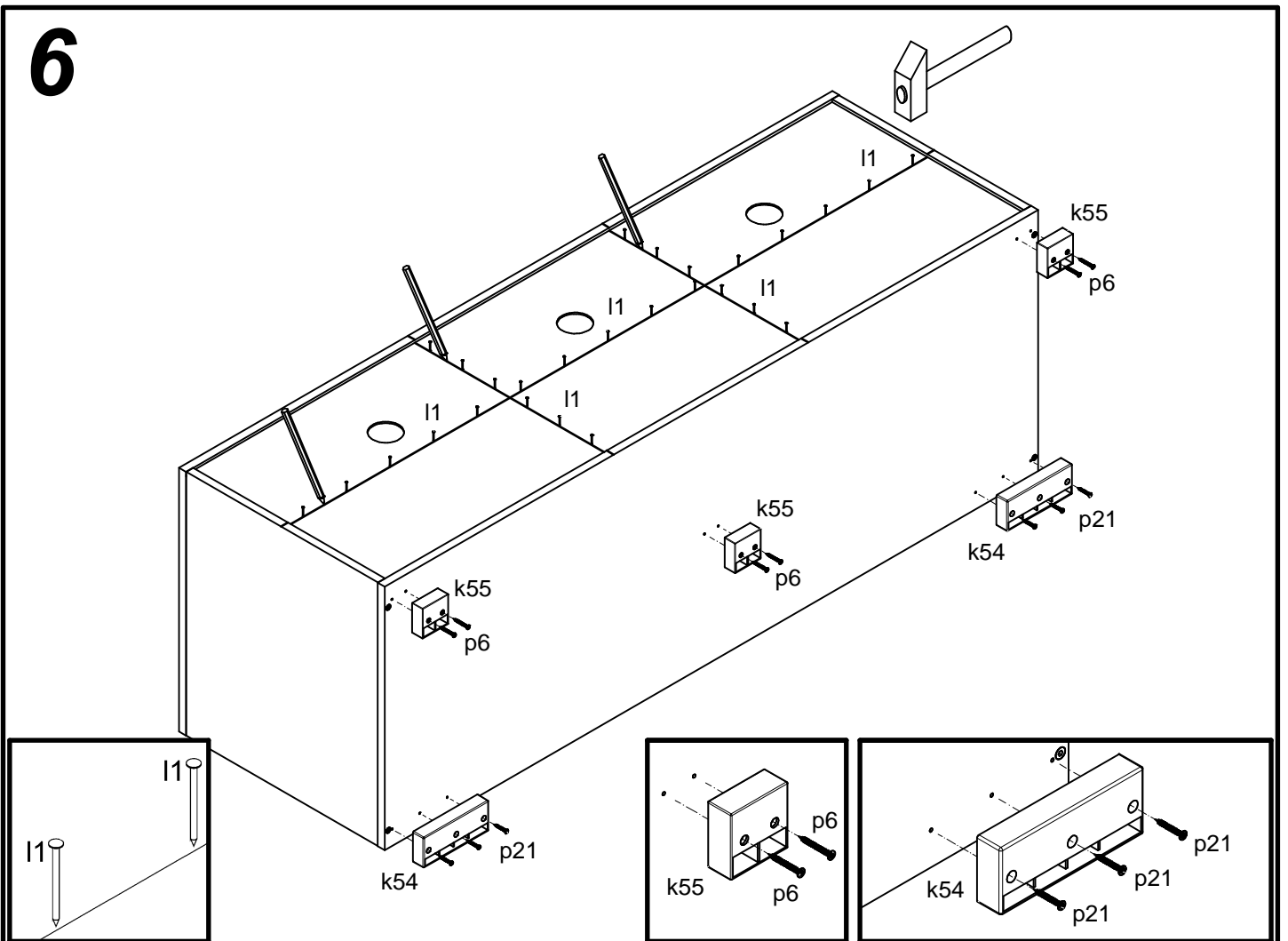
# 4

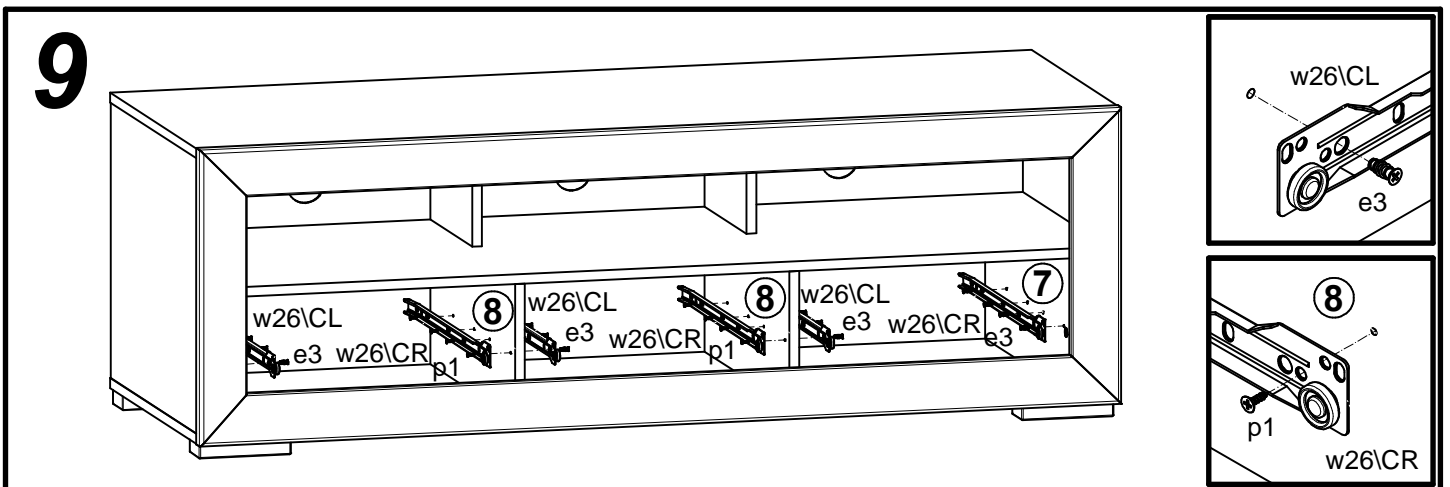
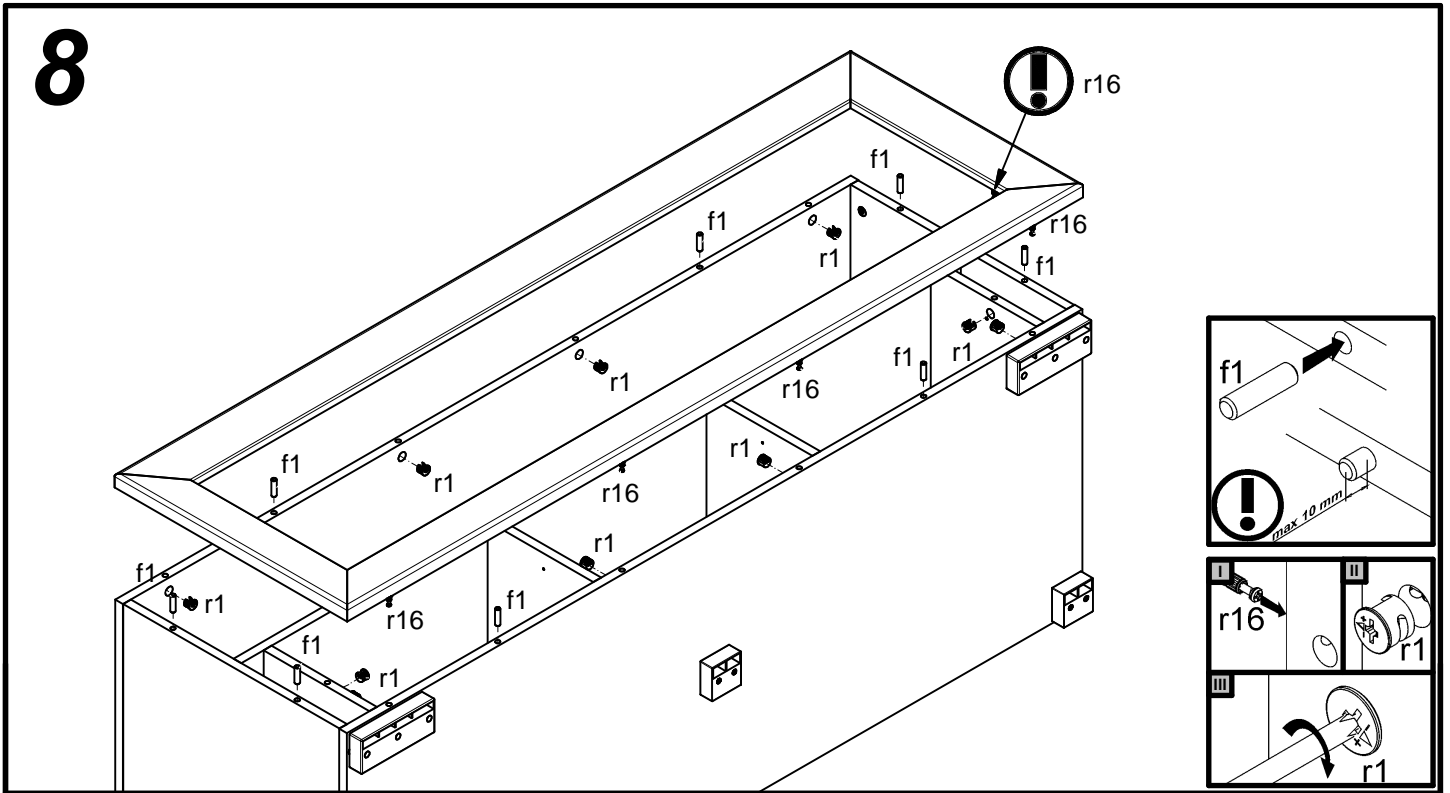
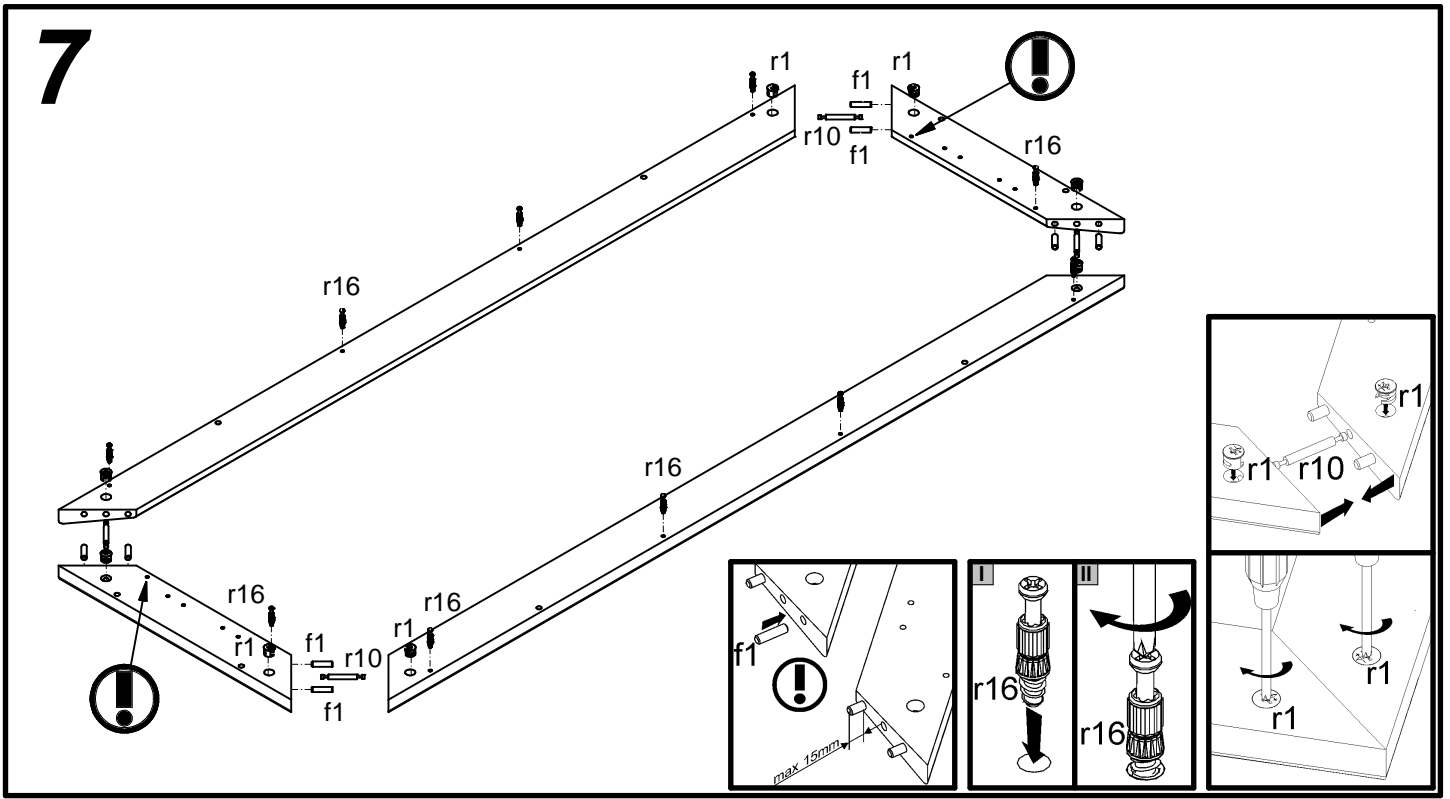


# 5

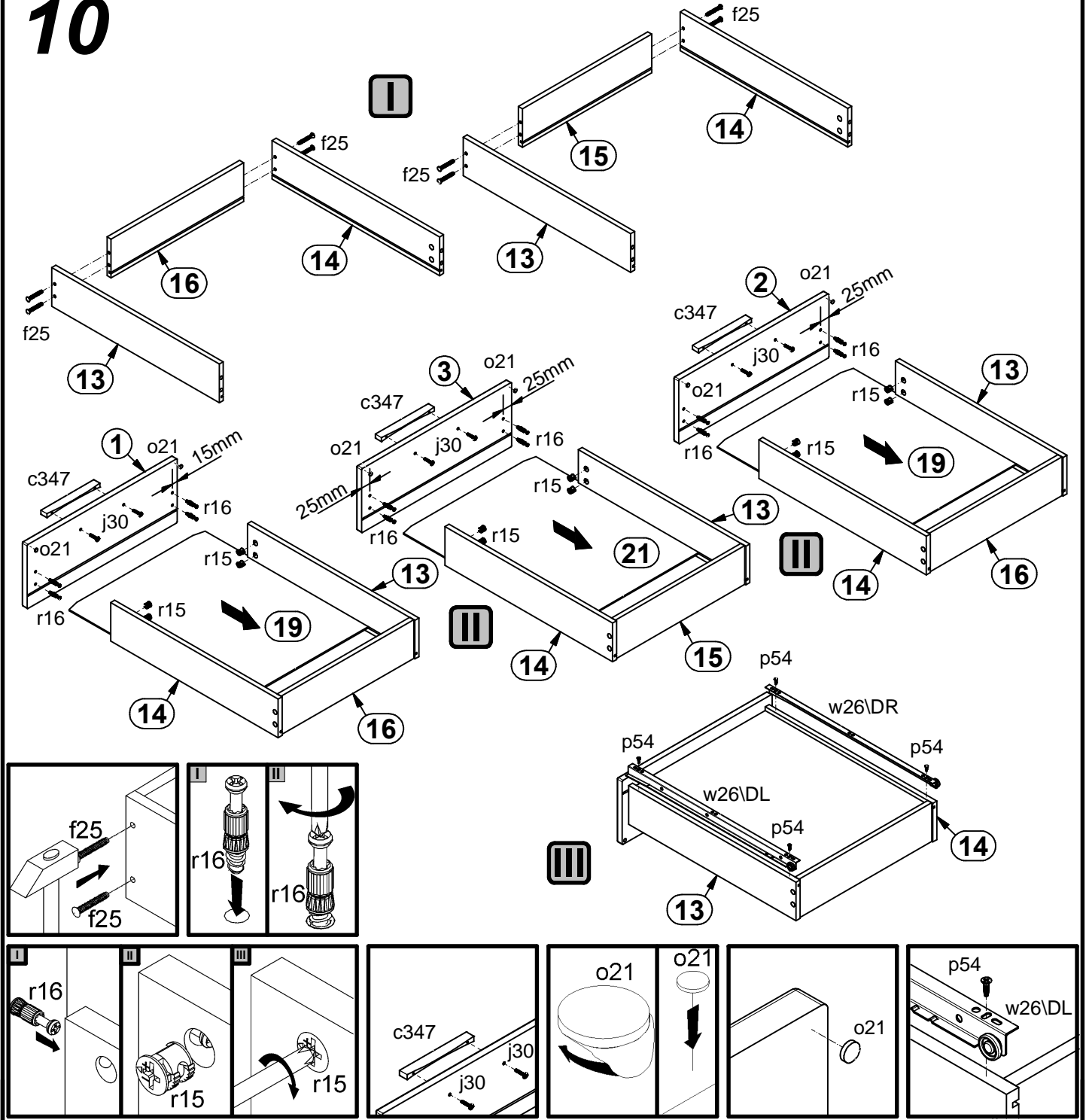


# 6





# 10



# 11

