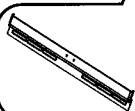
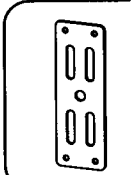

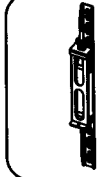
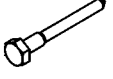


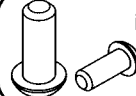


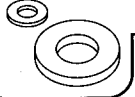

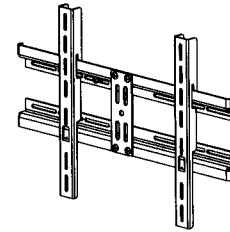


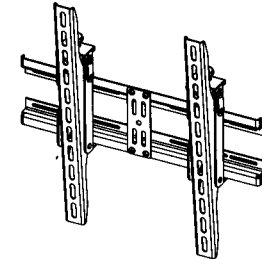
Model: TWM 4, 5, 6, 7.
Component List

Component	Description	Qty	Component	Description	Qty
	Wall Mounting Rail (A)	2		Wall Mounting Rail Spacer (B)	1
	TWM 4/6 Screen Mounting Rail (C)	2		TWM 5/7 Screen Mounting Rail (C)	2
	Wall fixing Screw (D)	8		Screw M5 x 12 (F)	4
	Wall Plug (E)	8		TV Mounting Screws including M4 M5 M6 M8 (H)	32
	Screw M6 x 30 (G)	2		Assorted Spacers (J)	8
	Assorted Washers (I)	12	Every effort is made to make sure these instructions are correct. In an effort to constantly improve our products minor changes may occur. E, O & E		
	Angled Spacers (K)	8			

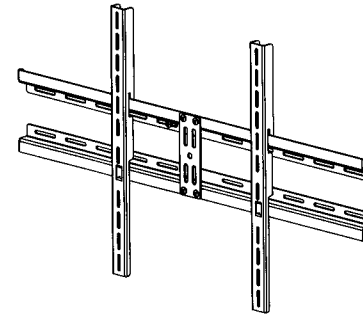
MODEL: TWM 4, 5, 6, 7.
Plasma/LCD Television Bracket



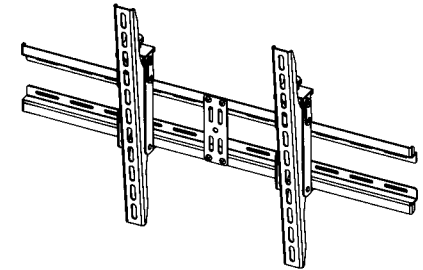
TWM 4
Screen Weight 40kg - Screen Size 32"



TWM 5 (Angled Brackets)
Screen Weight 40kg - Screen Size 32"



TWM 6
Screen Weight 60kg - Screen Size 65"

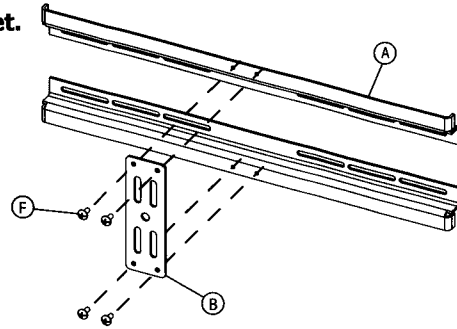


TWM 7 (Angled Brackets)
Screen Weight 60kg - Screen Size 65"

Thank you for purchasing this LCD/Plasma TV Support System. This instruction booklet covers four different TV support system models. Although the assembly and mounting procedure is identical for all variants, it is important to identify which model you have, due to the maximum permissible screen size ratings applicable to each model. Use the images above to check your screen size is suitable for this bracket.

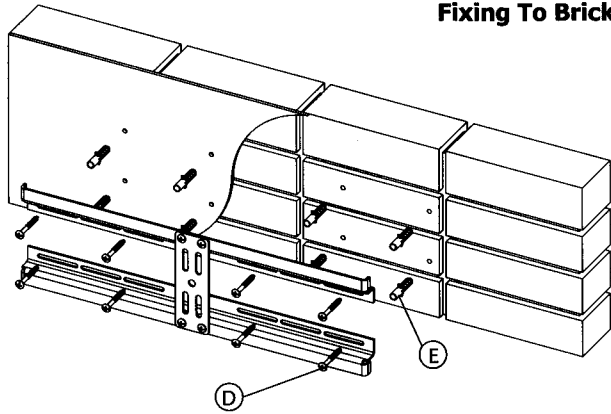
Important : Do not exceed the maximum screen size or weight stated for your model.

1 - Assemble The Wall Mounting Bracket.

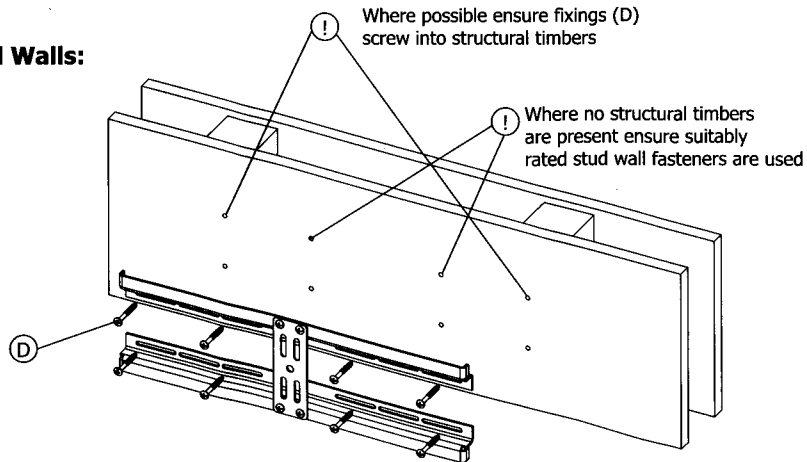


2 - Fix The Wall Mounting Bracket To The Wall.

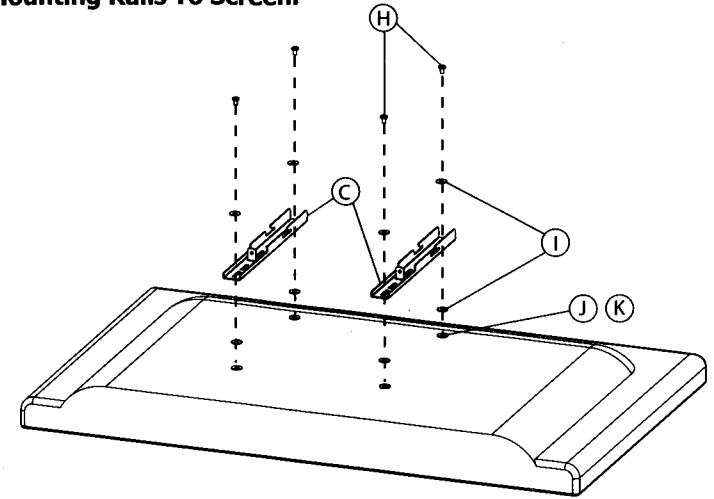
Fixing To Brick/Block Walls:



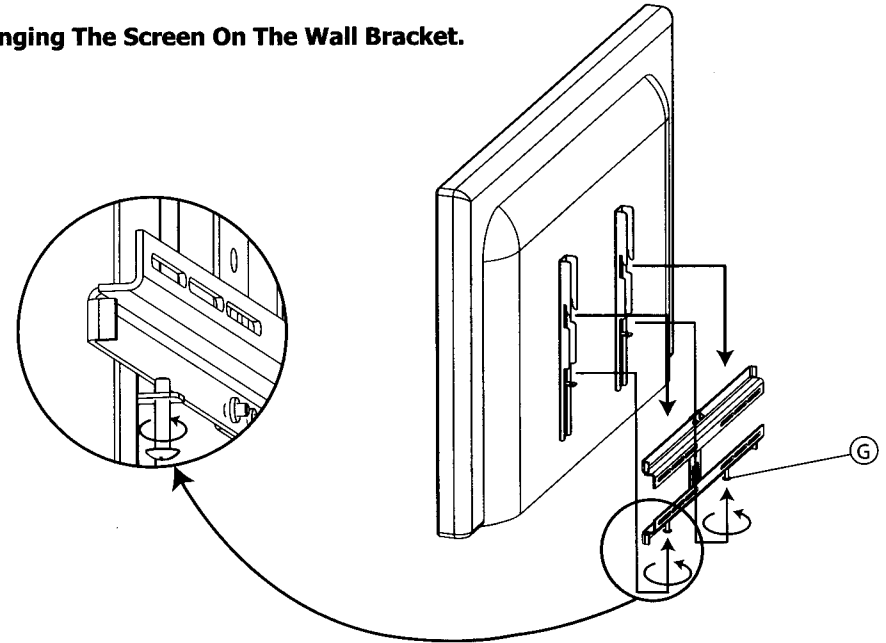
Fixing To Stud Walls:



3 - Secure Screen Mounting Rails To Screen.



4 - Hanging The Screen On The Wall Bracket.



If you are in any doubt about the installation of this Plasma/LCD Mounting system please contact a professional installer.