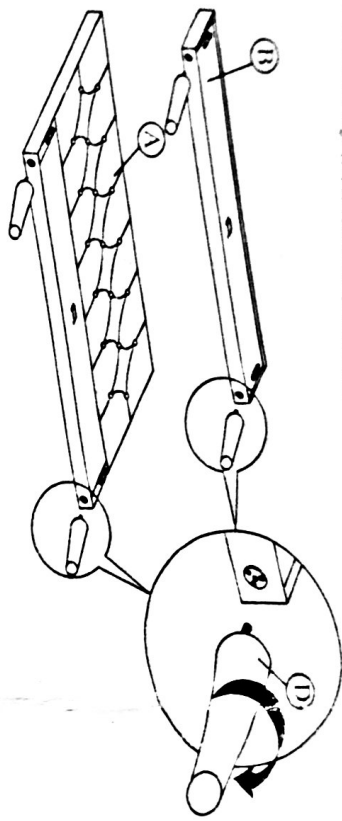


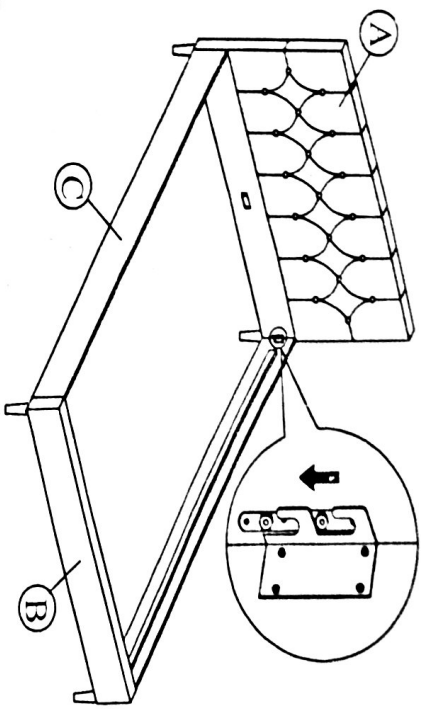
ASSEMBLY INSTRUCTION

A	Headboard	1 pc
B	Footboard	1 pc
C	Side Rail	2 pcs
D	Legs	4 pcs
E	Center Rail	1 pc
F	Support Leg	2 pcs
G	Slat	28 pcs
H	Adjustable Headler	14 pcs
I	End Header	28 pcs
J	Head Holder RE USE MR. X 40	2 pcs
K	K1 K2 K3 MR. X 20mm M14 x 65mm	1 pc
L	CSK M4 x 25mm	2 pcs
M	CSK M4 x 32mm	3 pcs
N	Support Slit (3 Holes)	1 pc
P	Adjuster	2 pcs

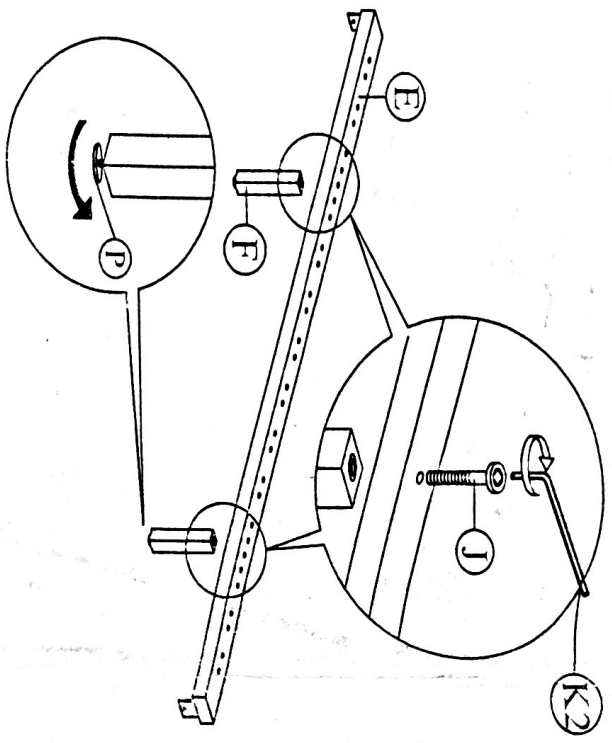
Step 1 Install the legs (D) to footboard (B) and headboard (A)



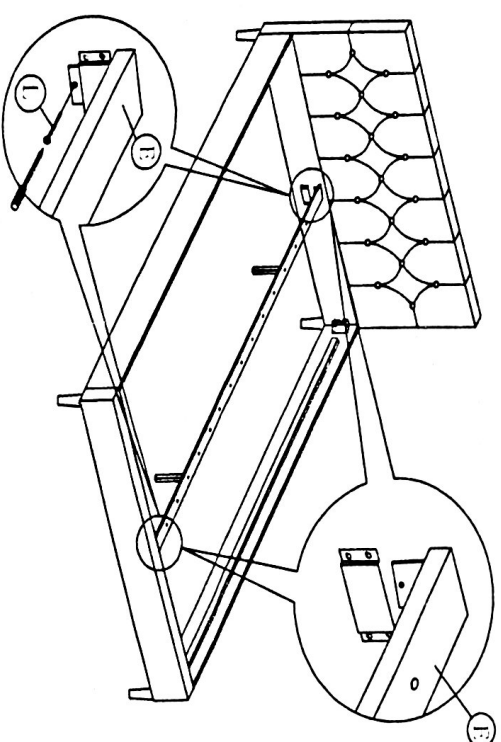
Step 2 Attach side rail (C) to footboard (B) and headboard (A) by pushing the bracket down to fit it



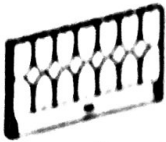

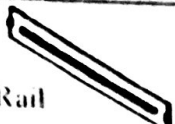







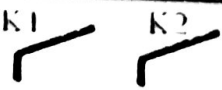


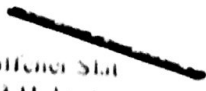

Step 3 Attach the support legs (F) to the center rail (E) of the bed as shown.



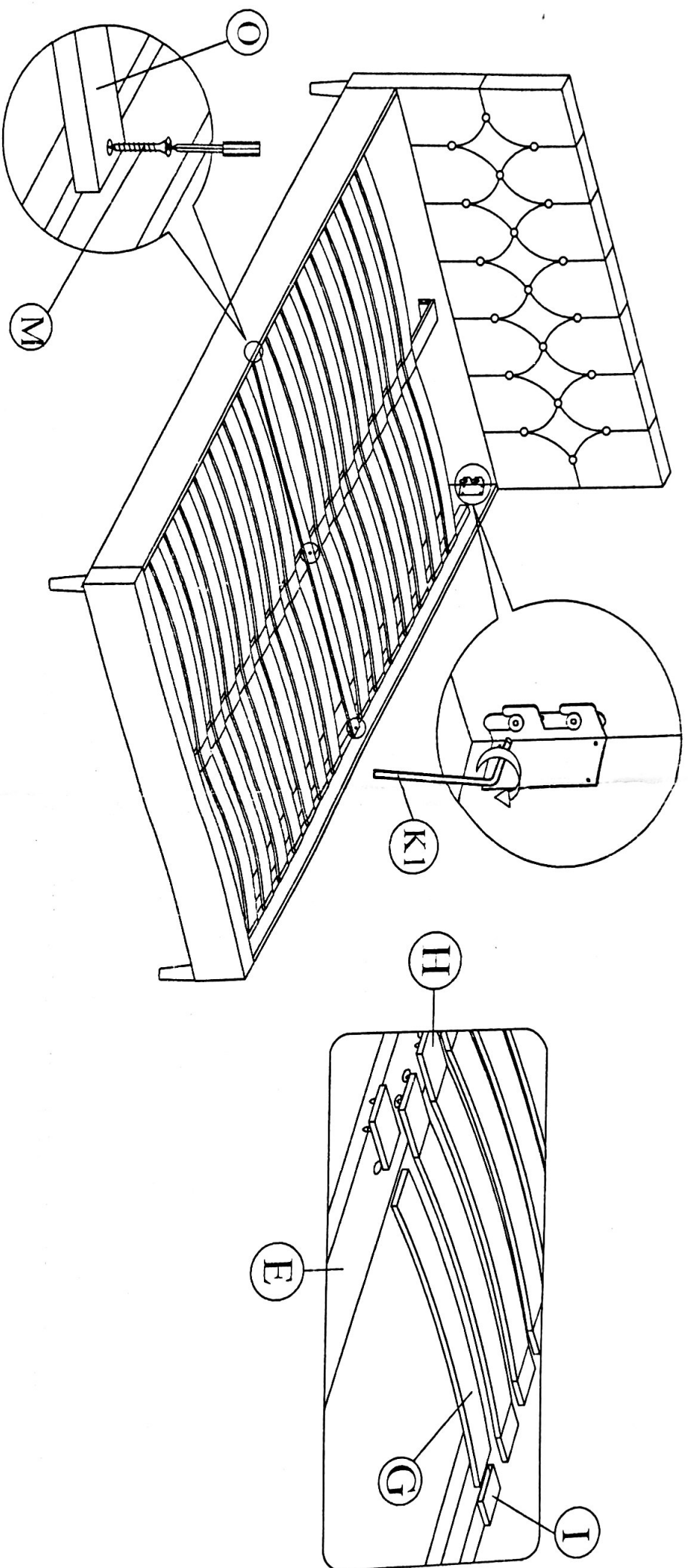
Step 4 Slide the center rail (E) to the headboard (A) and footboard (B). Tighten screws (L) using screw driver (not included) to the headboard (A) and footboard (B).



MODEL : CI 8962 (F & 16" & 5)

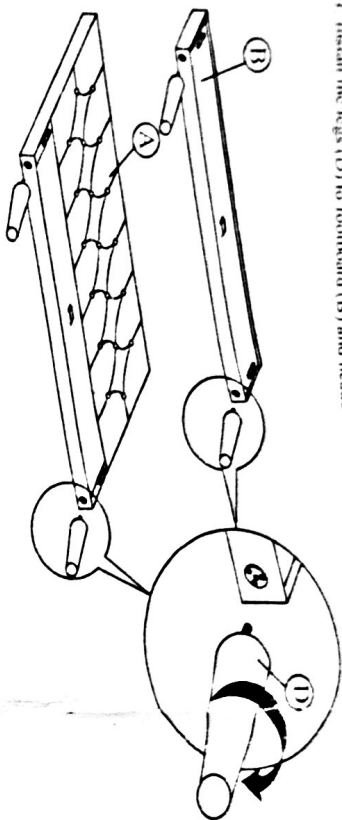
A	 Headboard	1 pc
B	 Footboard	1 pc
C	 Side Rail	2 pcs
D	 Legs	4 pcs
E	 Center Rail	1 pc
F	 Support Leg	2 pcs
G	 Slat	28 pcs
H	 Middle Holder	14 pcs
I	 End Holder	28 pcs
J	 JCB M6 x 40	2 pcs
K	 K1 K2 M5 x 70mm M4 x 65mm	1 pc
L	 CSK M4 x 25mm	2 pcs
M	 CSK M4 x 32mm	3 pcs
O	 Stiffener Slat (3 Holes)	1 pc
P	 Adjuster	2 pcs

Step 5: Affix the Stiffener Slat (O) to the side rail support wood and the center rail (I). Tighten all the 4 corner, follow by assembly of the slat holders with LVL slats as shown.

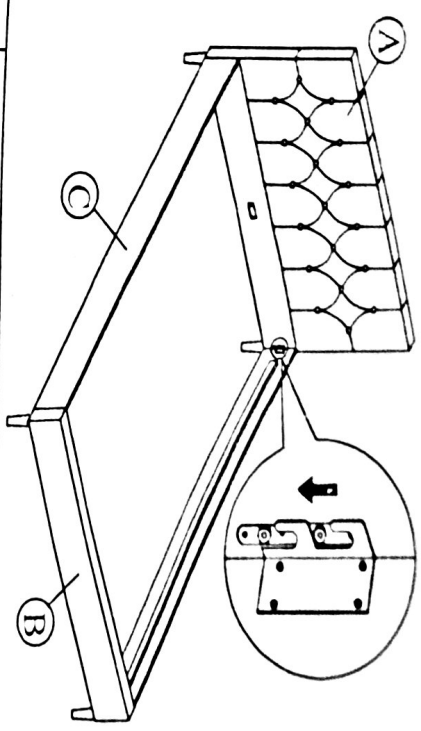


ASSEMBLY INSTRUCTION

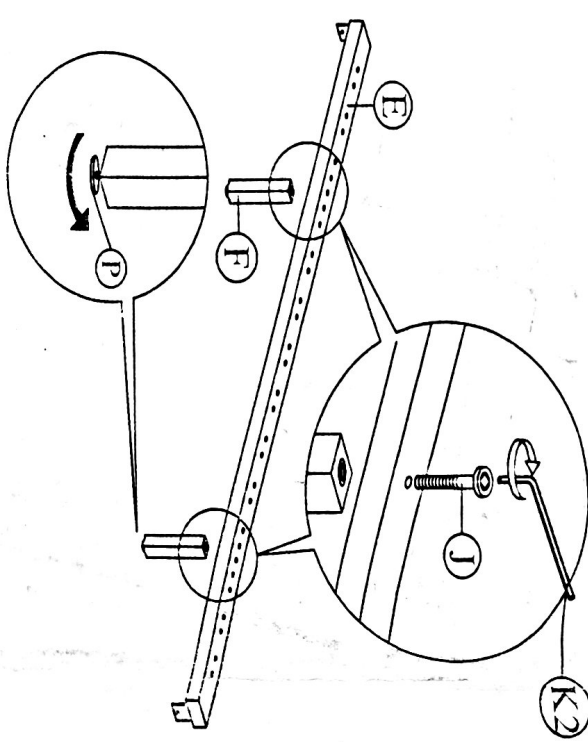
Step 1. Install the legs (D) to footboard (B) and headboard (A)



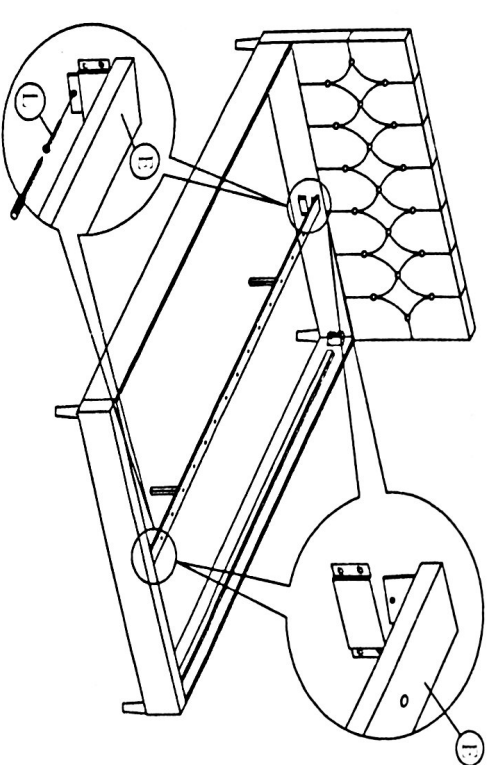
Step 2. Attach side rail (C) to footboard (B) and headboard (A) by pushing the bracket down to fit it



Step 3. Attach the support legs (F) to the center rail (E) of the bed as shown.



Step 4. Slide the center rail (E) to the headboard (A) and footboard (B). Tighten screws (L) using screw driver (not included) to the headboard (A) and footboard (B).



Part No.	Part Name	Quantity
A	Headboard	1 pc
B	Footboard	1 pc
C	Side Rail	2 pcs
D	Legs	4 pcs
E	Center Rail	1 pc
F	Support Leg	2 pcs
G	Slat	28 pcs
H	Module Holder	14 pcs
I	End Holder	28 pcs
J	Hex. Nuts	2 pcs
K	Hex. Nuts	1 pc
L	CSK M4 x 25mm	2 pcs
M	CSK M4 x 33mm	3 pcs
O	Stiffener Strip (3 Holes)	1 pc
P	Adjuster	2 pcs