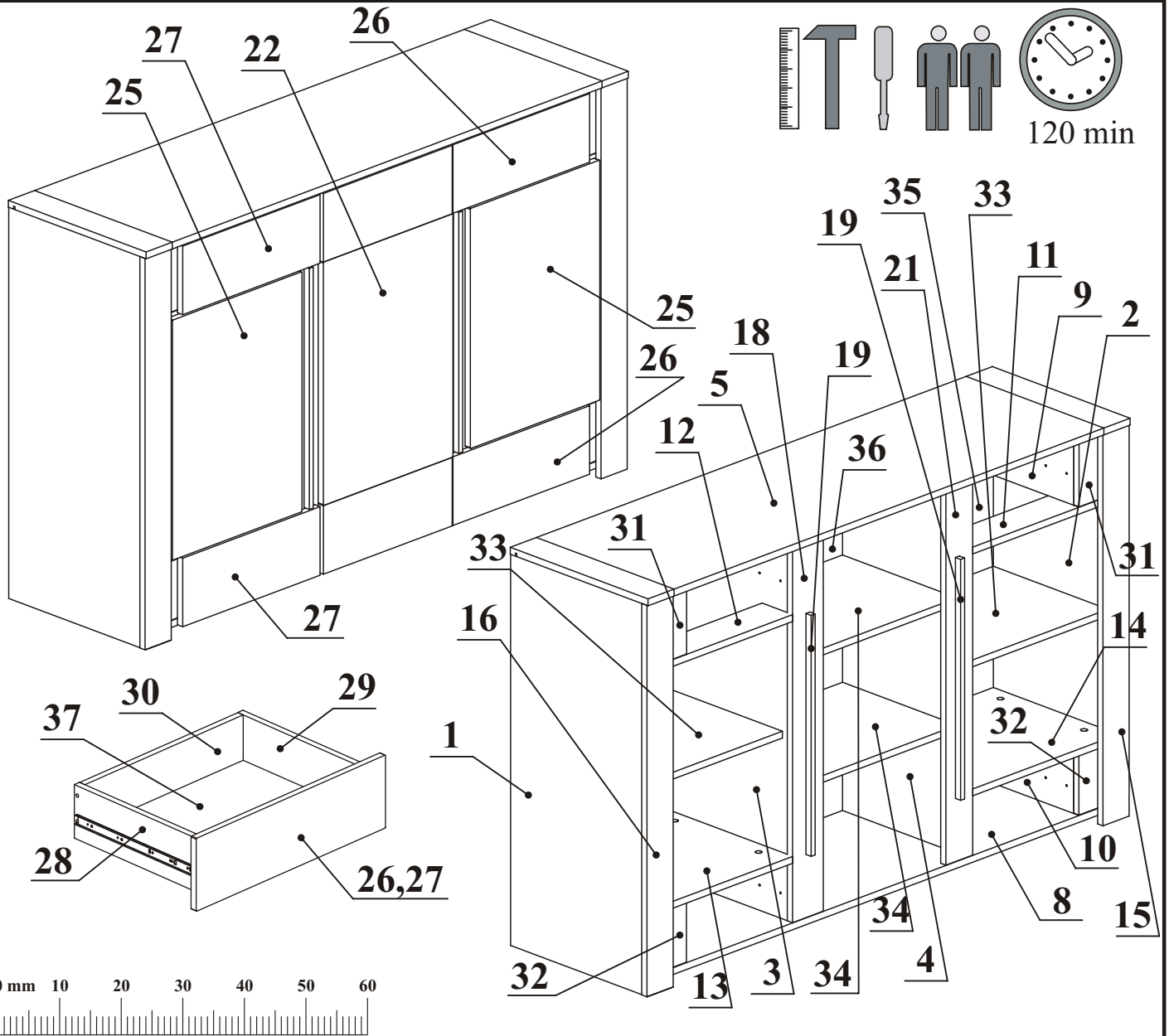


# SYSTEM BOSTON TYPE 10

## SB BOSTON

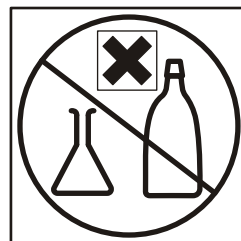
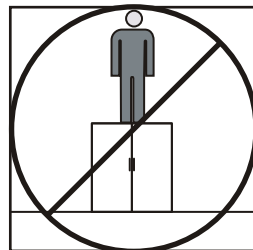
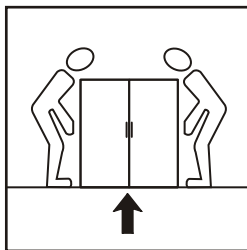
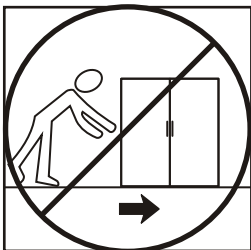
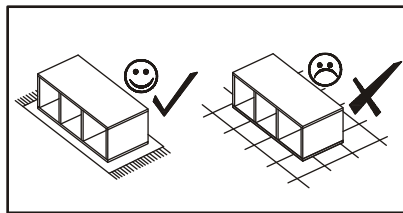
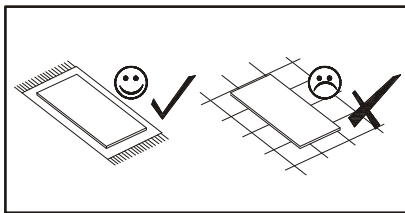
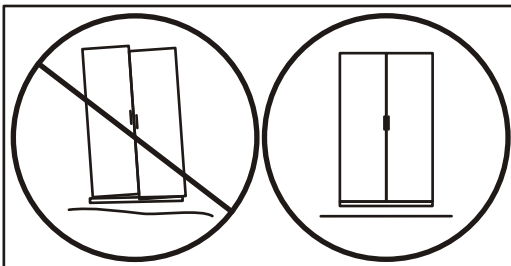
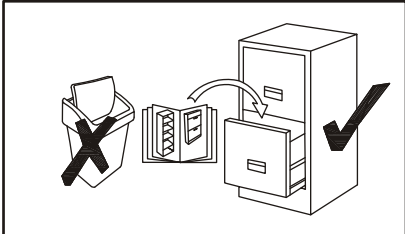
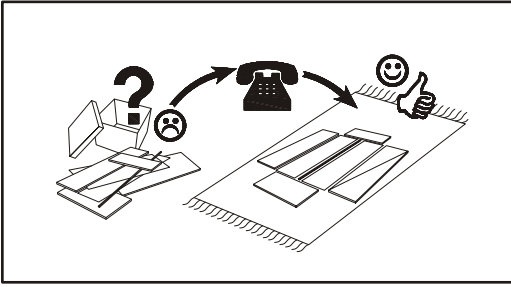
# 24...BT



E15 X4		E2 X4 H=2		E13 X2		E12 X2		D9 X16 USØ3x20			
A1 X66	 ø8x36	B4 X46		B5 X46	 ø15x12	G5 X46		D10 X12 USØ3,5x13		G16 X12	
B3 X35	 Ø1,4x25	H8 X2 L=350		D6 X4 USØ3,5x30		S1 X14		G7 X16		B11 X34 Ø7x50	
ST3 X2		I2 X4		D8 X40 ESØ5x13		G2 X1		UP15 X6 UPØ4x25		G4 X34	

SYSTEM BOSTON TYPE 10  
SB BOSTON

24...BT

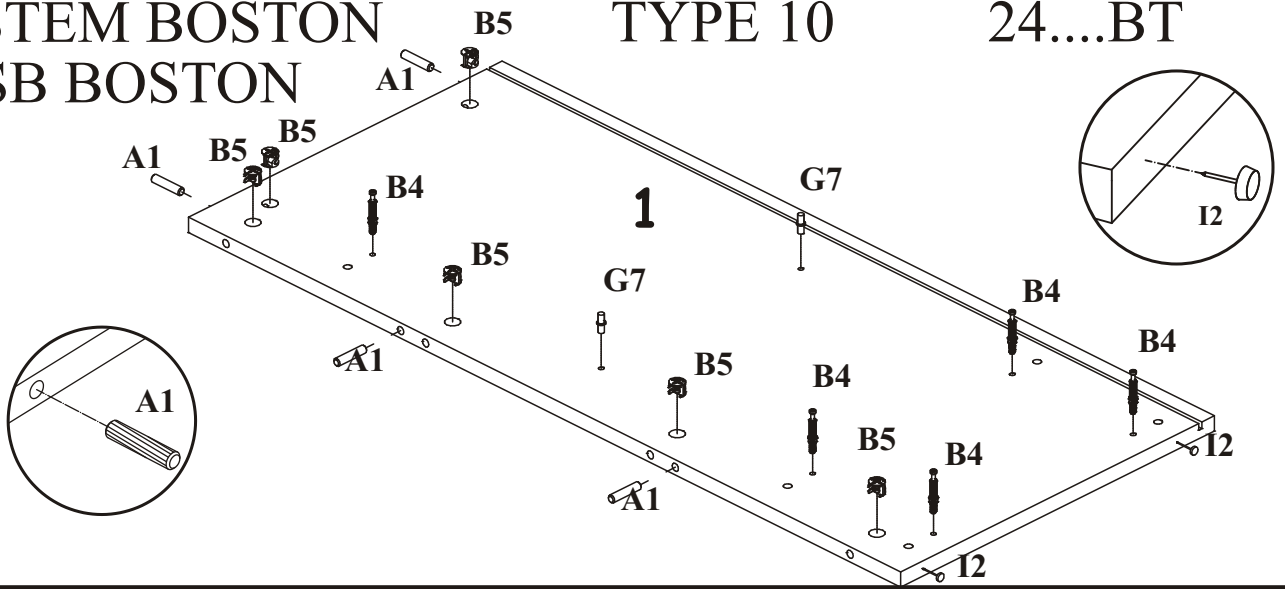


SYSTEM BOSTON  
SB BOSTON

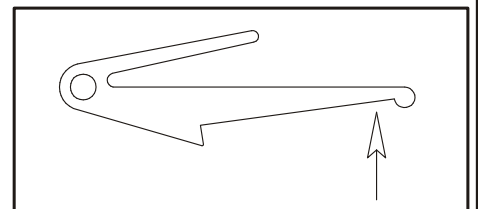
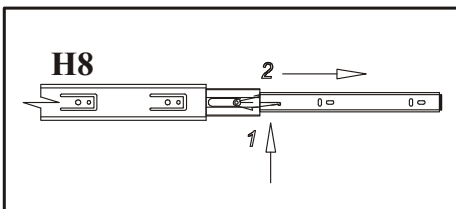
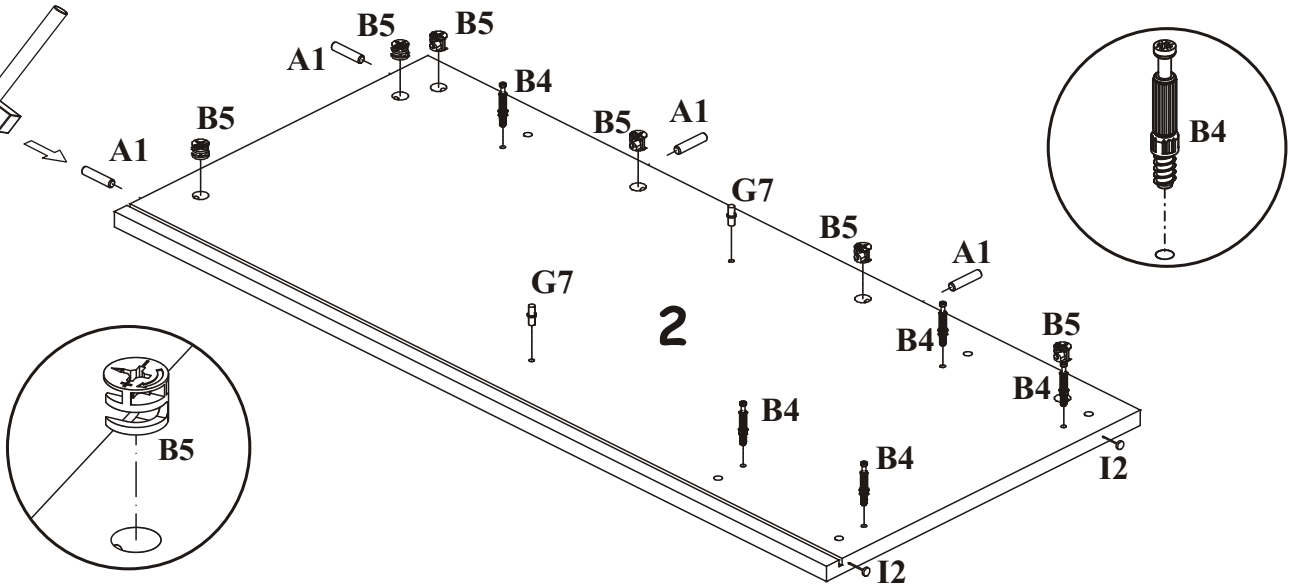
TYPE 10

24...BT

I

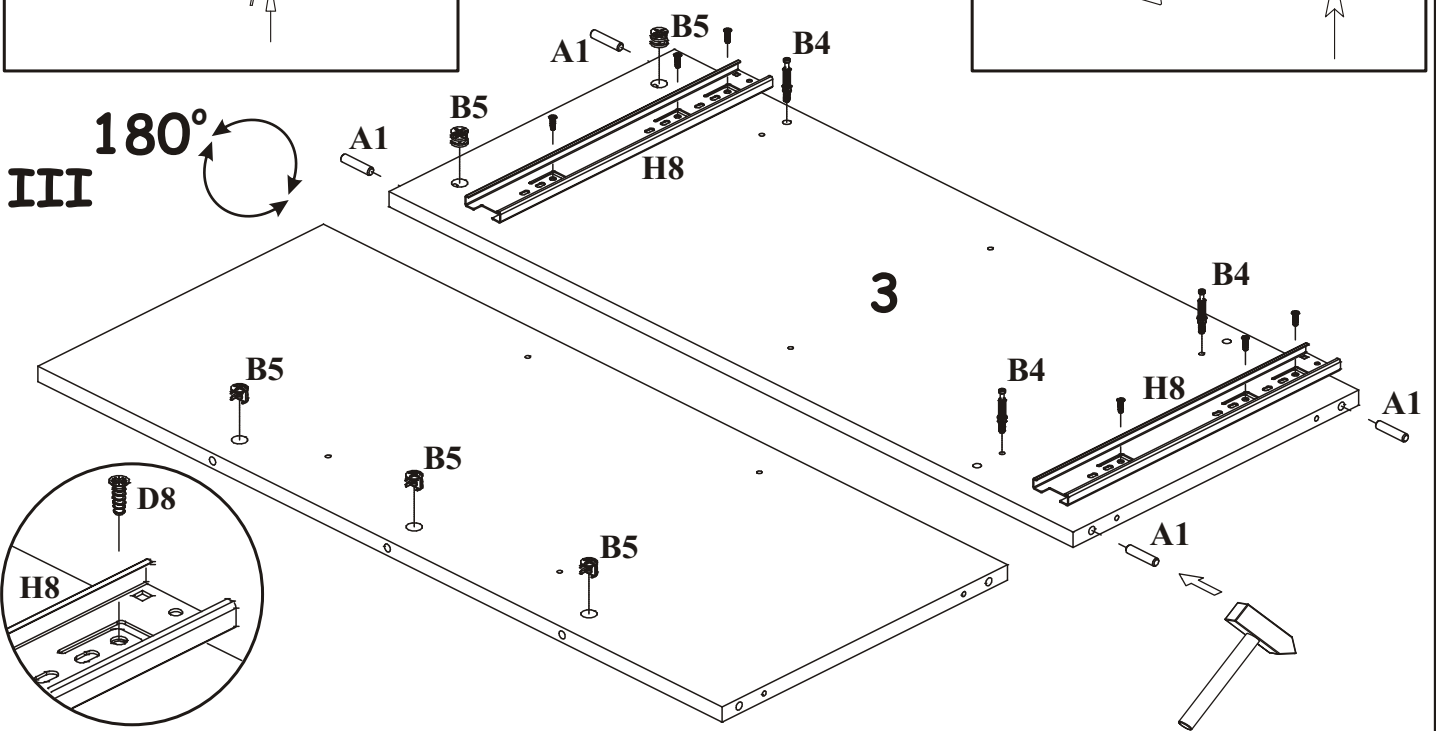


II



III

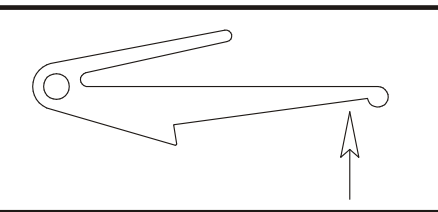
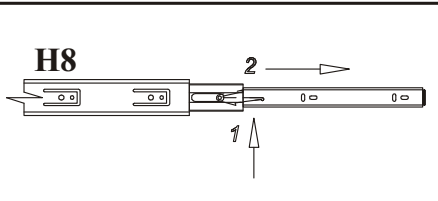
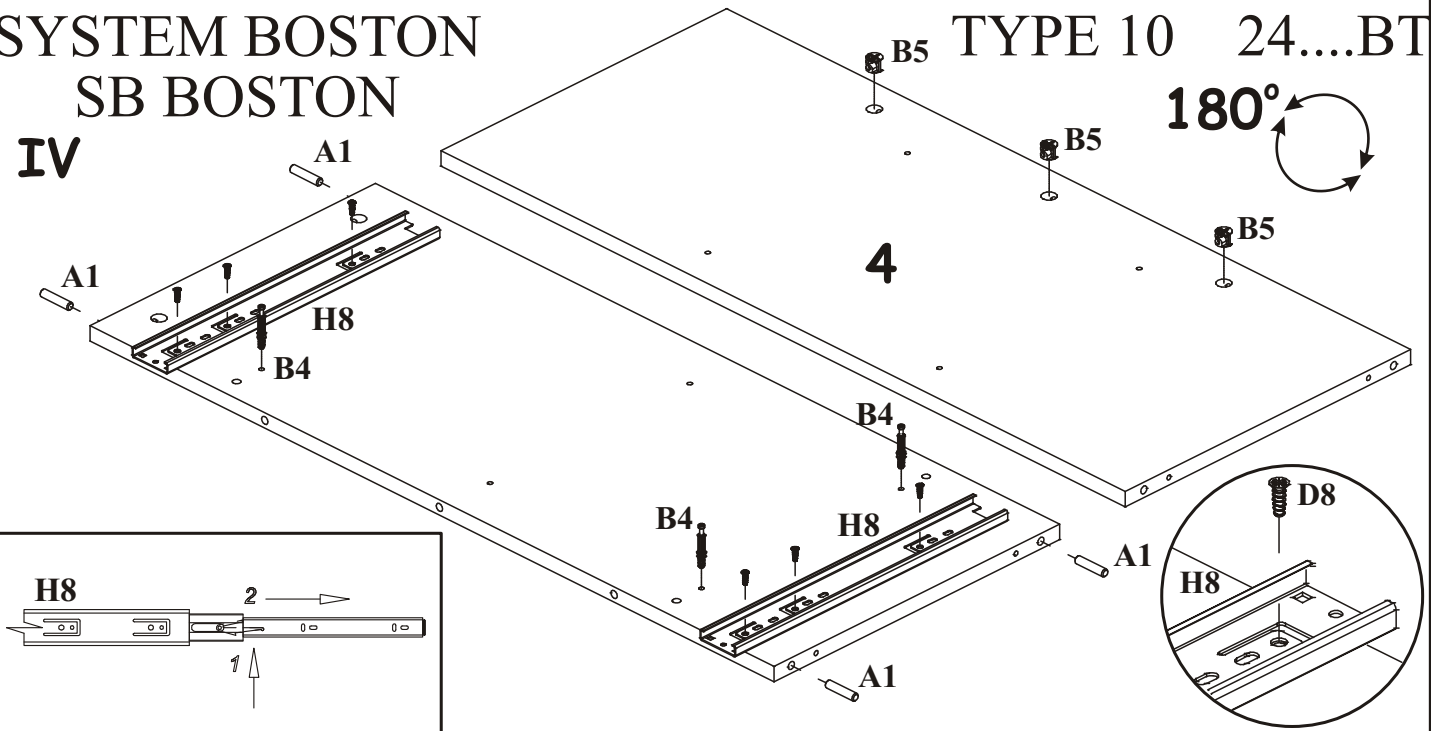
180°



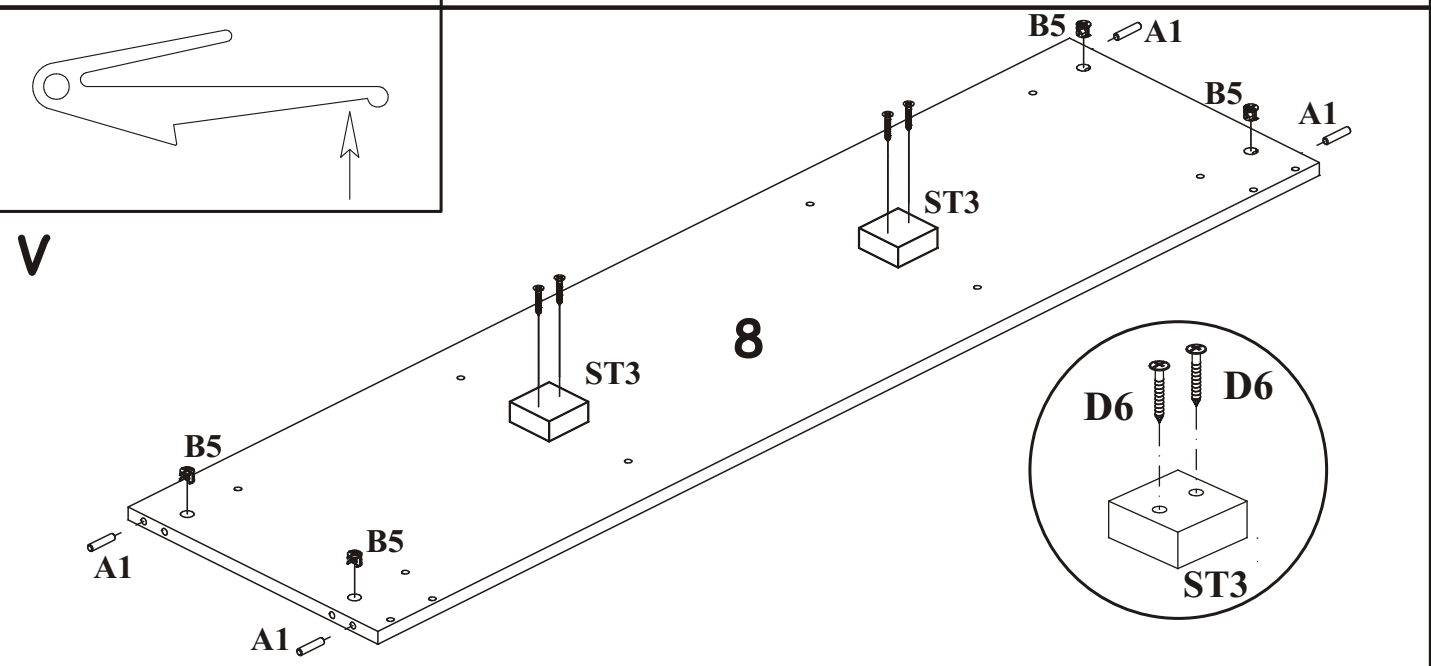
# SYSTEM BOSTON SB BOSTON

TYPE 10 24...BT

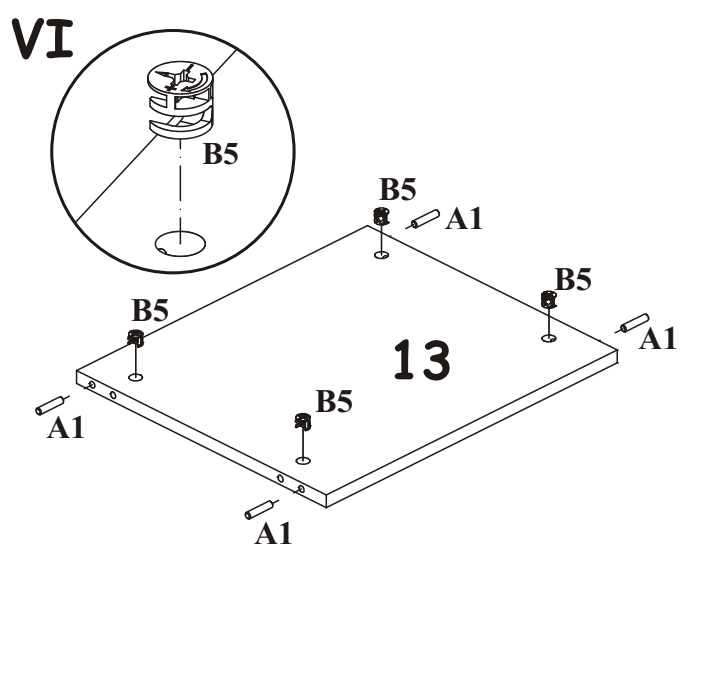
**IV**



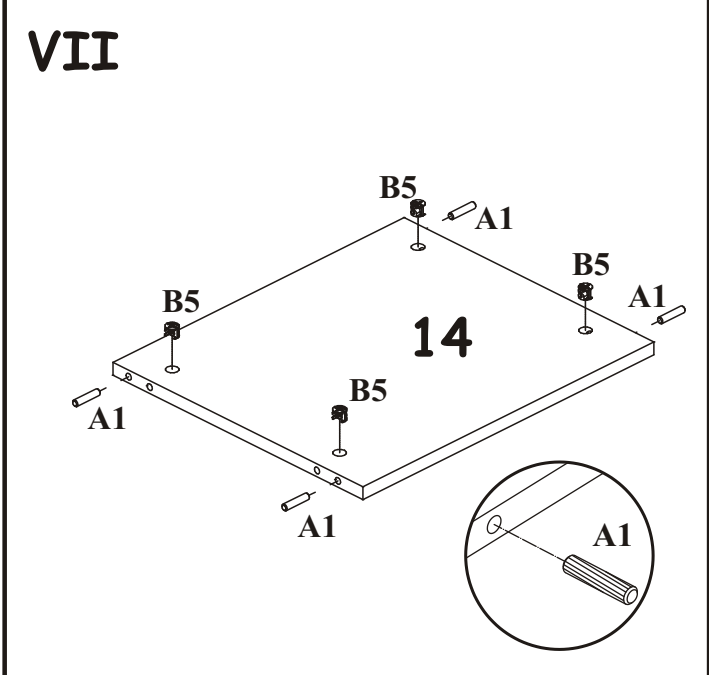
**V**



**VI**



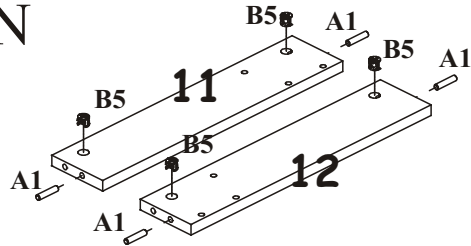
**VII**



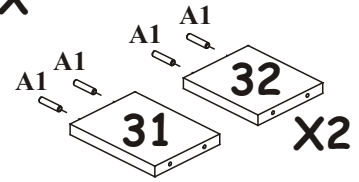
SYSTEM BOSTON TYPE 10  
SB BOSTON

24...BT

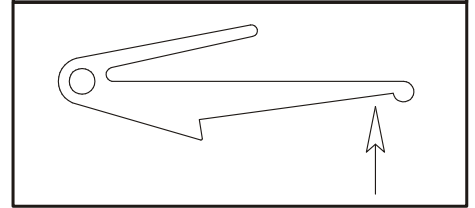
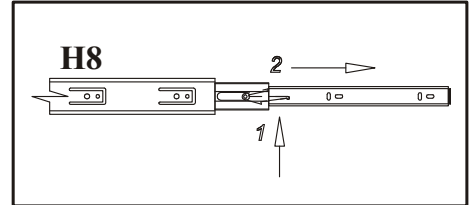
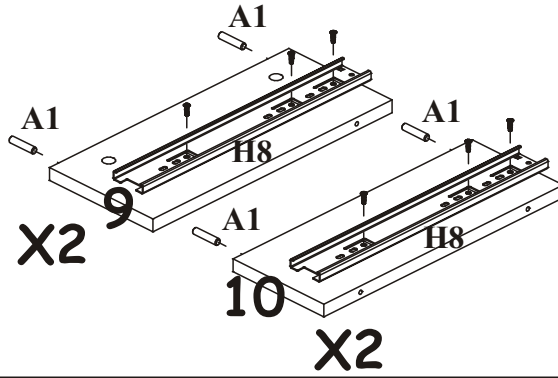
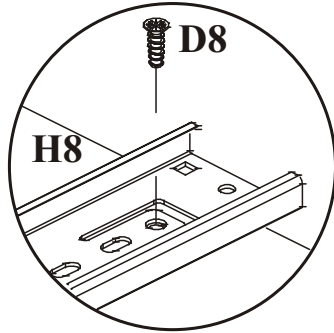
VIII



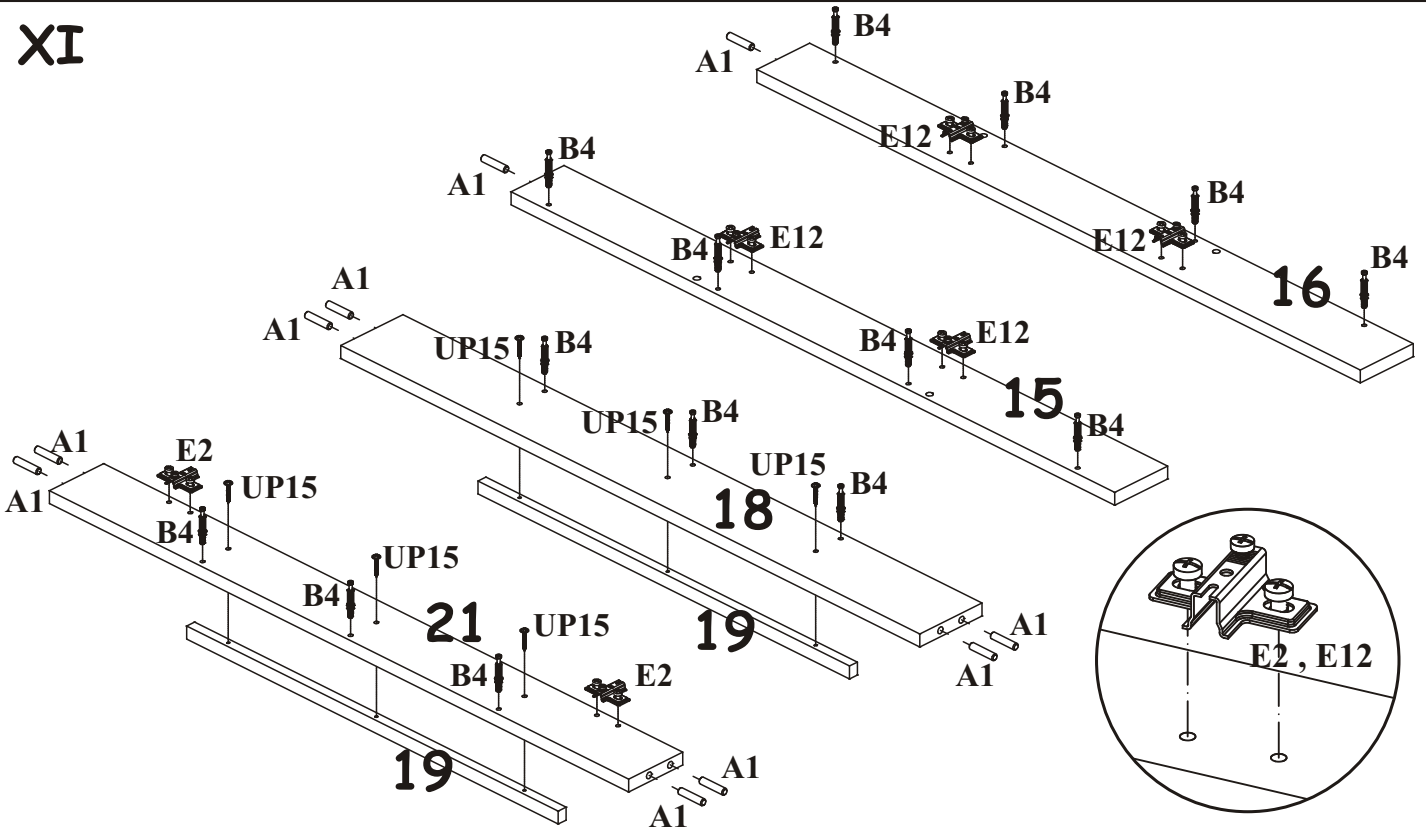
IX



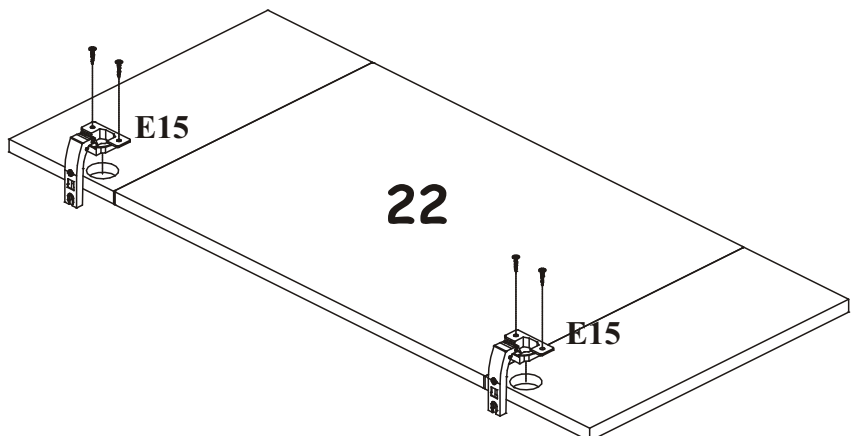
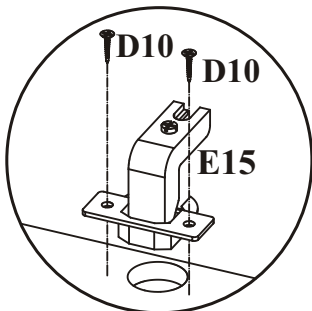
X



XI



XII

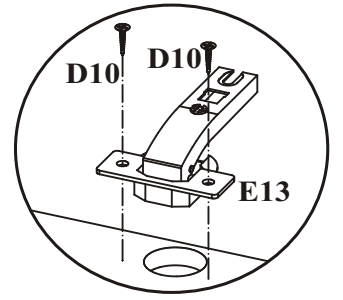
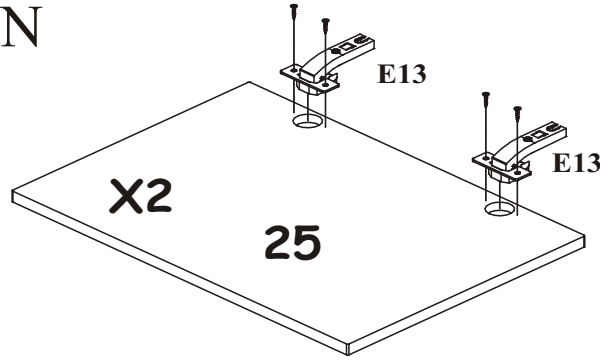


SYSTEM BOSTON  
SB BOSTON

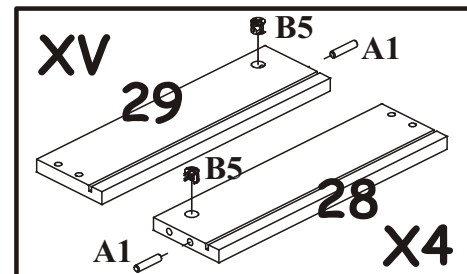
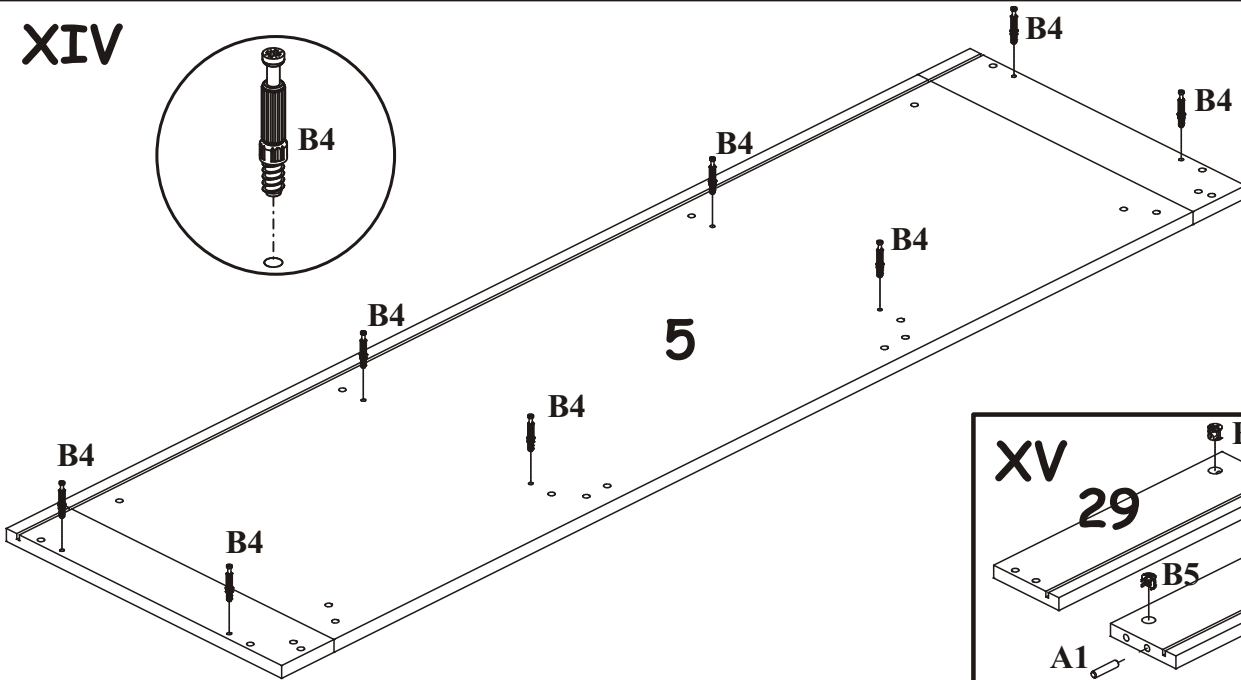
TYPE 10

24...BT

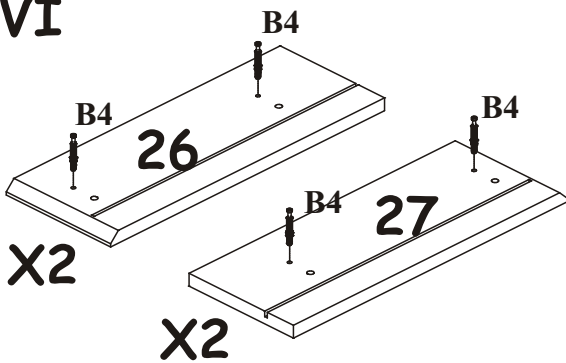
XIII



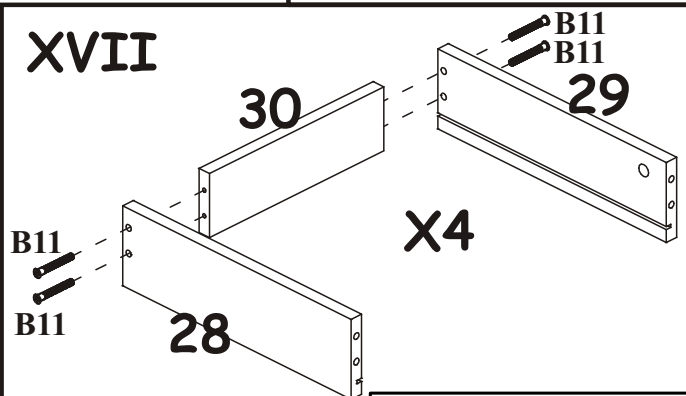
XIV



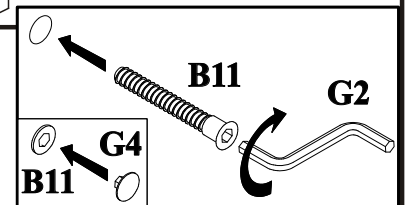
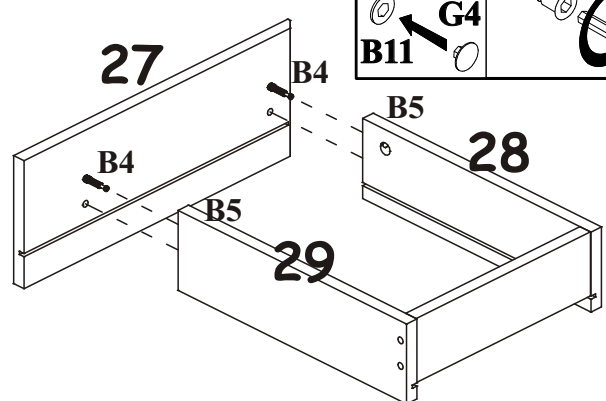
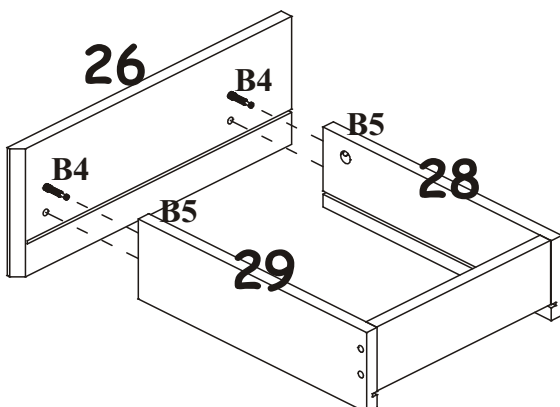
XVI



XVII



XVIII

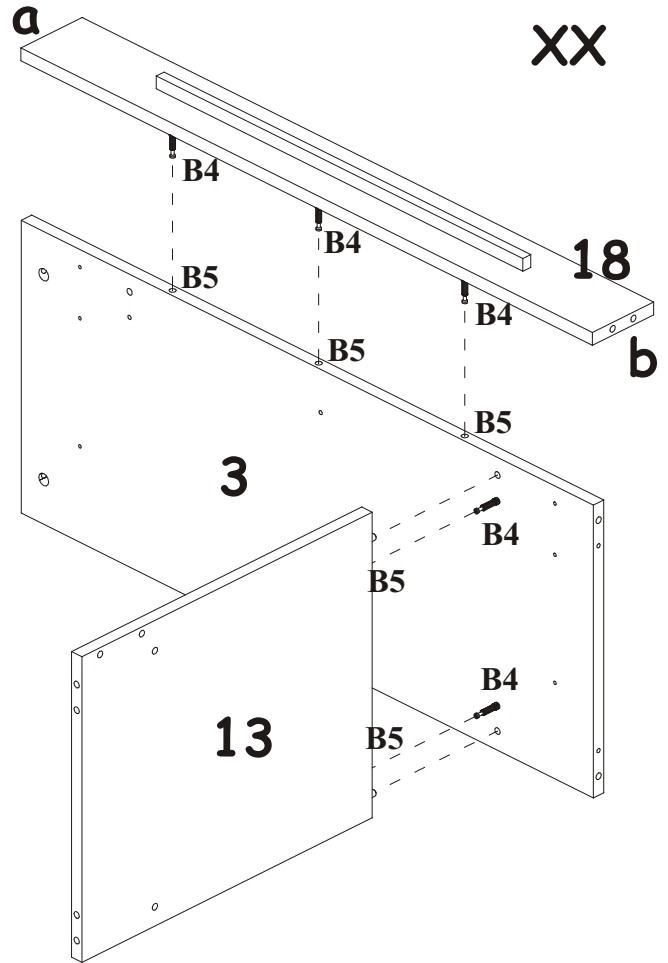
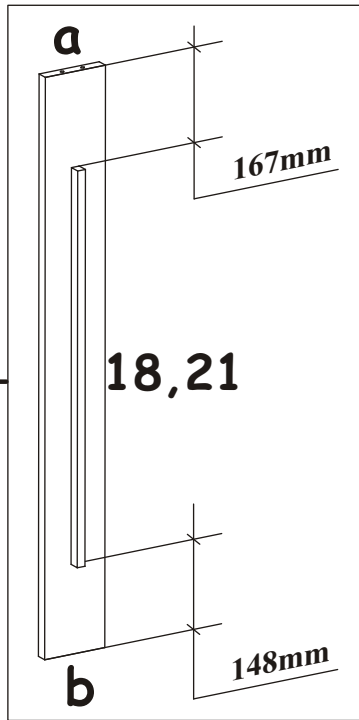
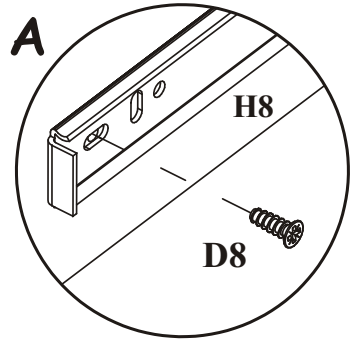
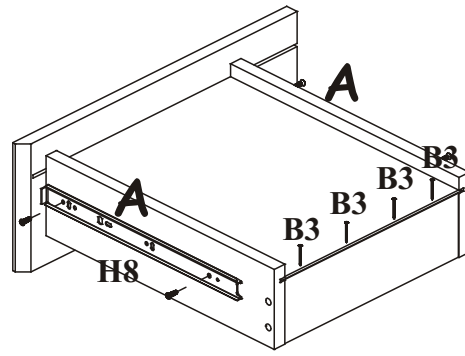
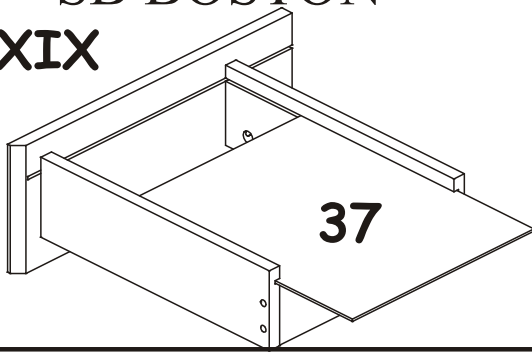


SYSTEM BOSTON  
SB BOSTON

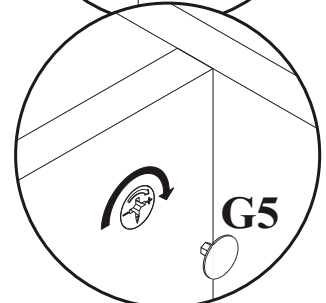
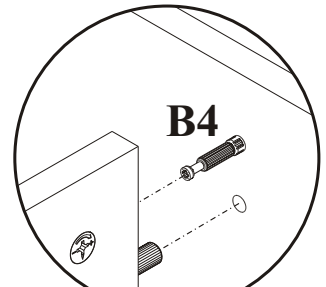
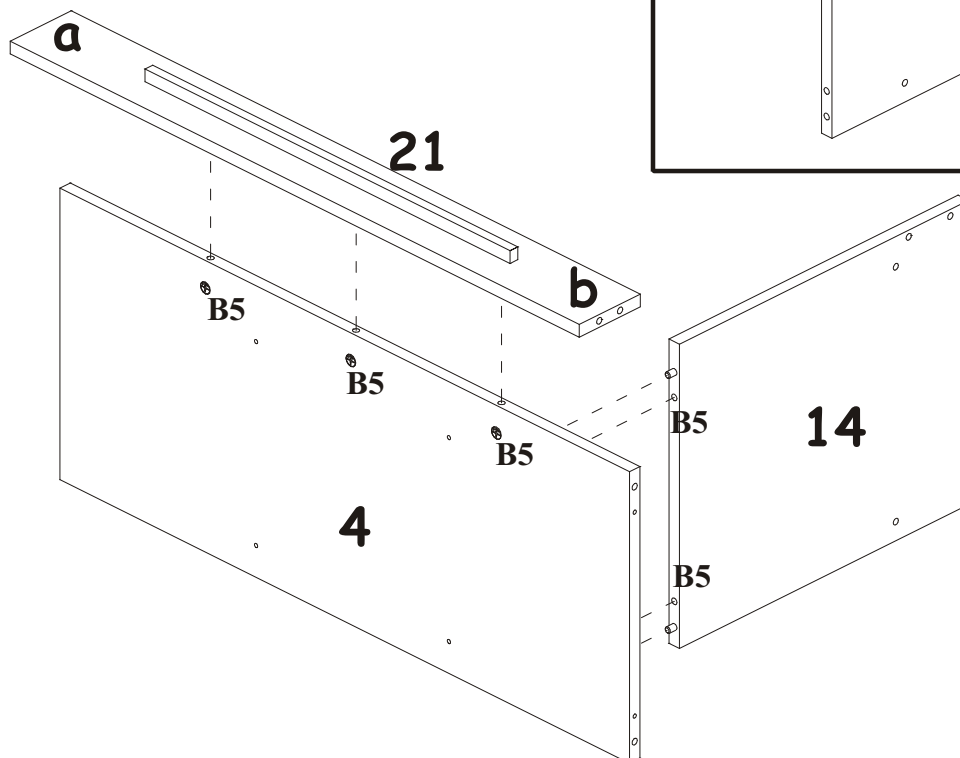
TYPE 10

24...BT

XIX



XXI

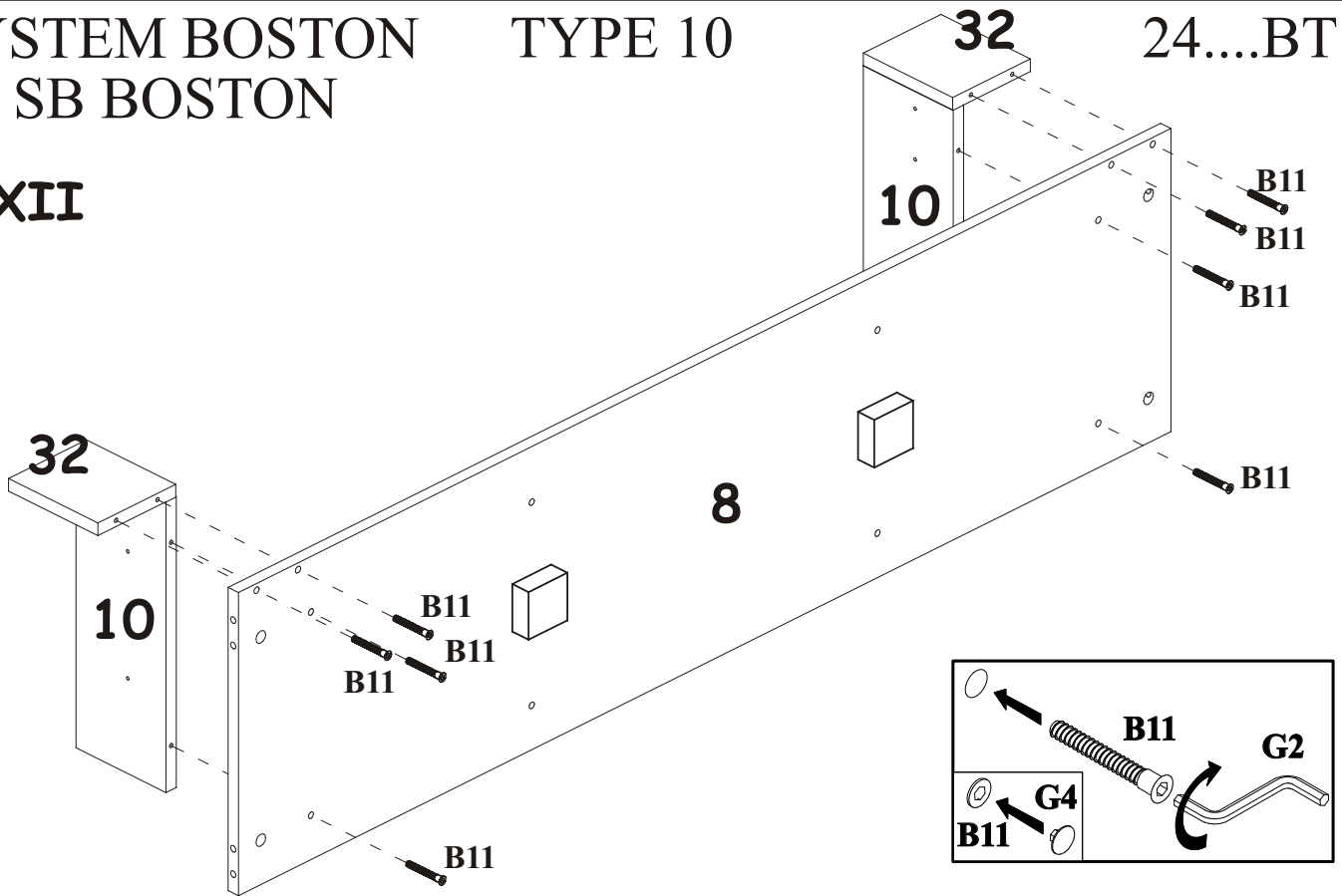


SYSTEM BOSTON  
SB BOSTON

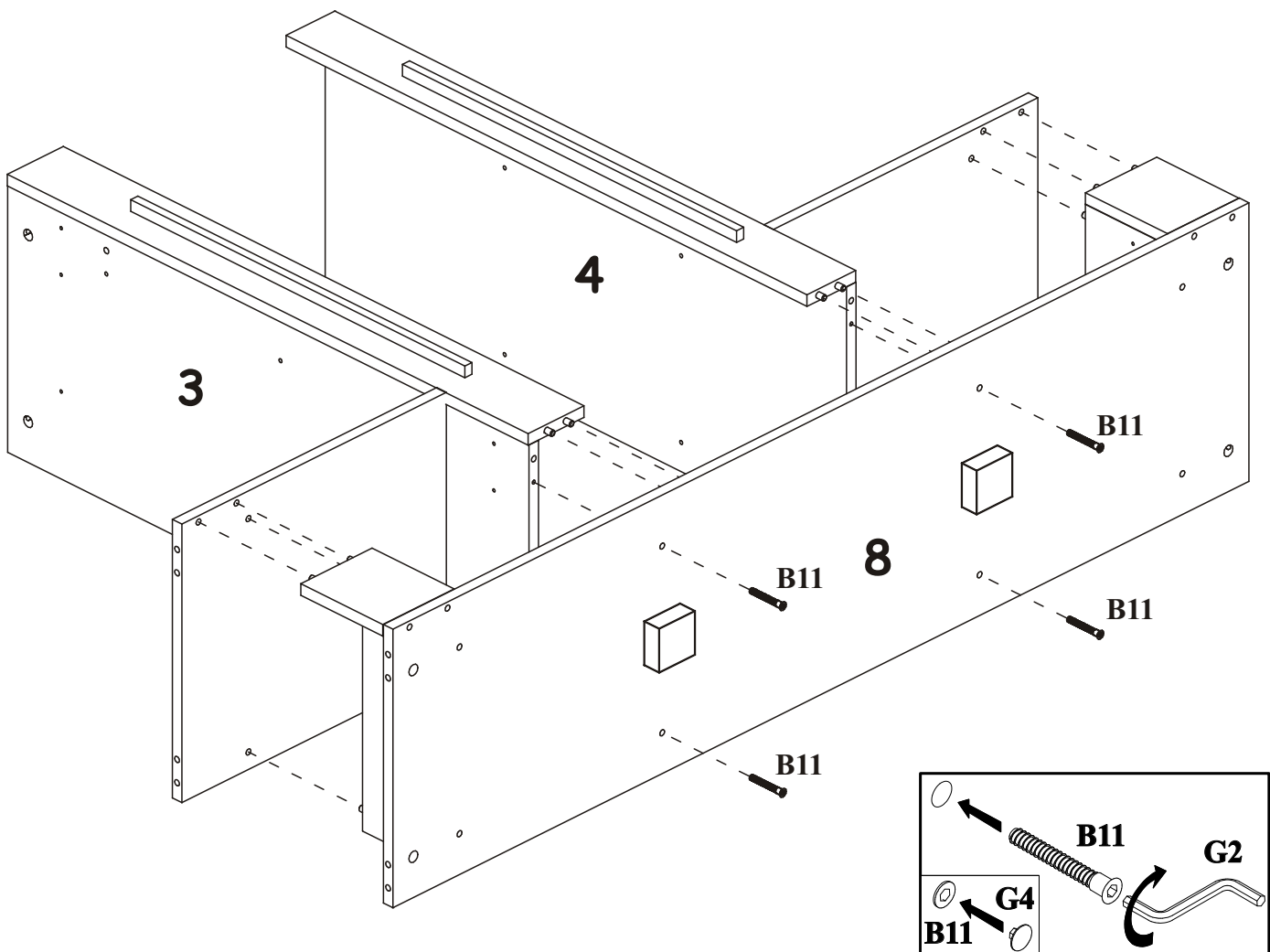
TYPE 10

24...BT

XXII



XXIII

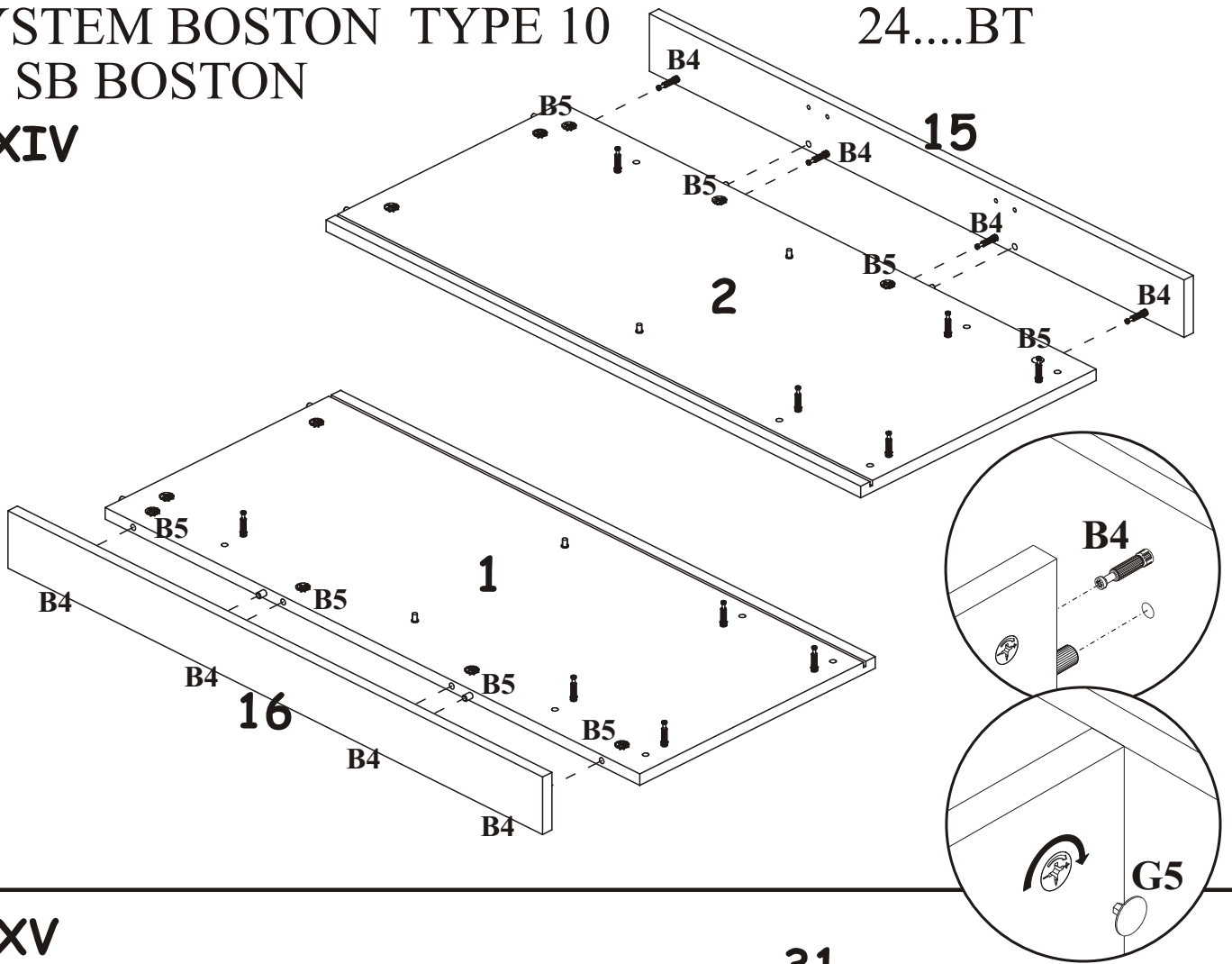




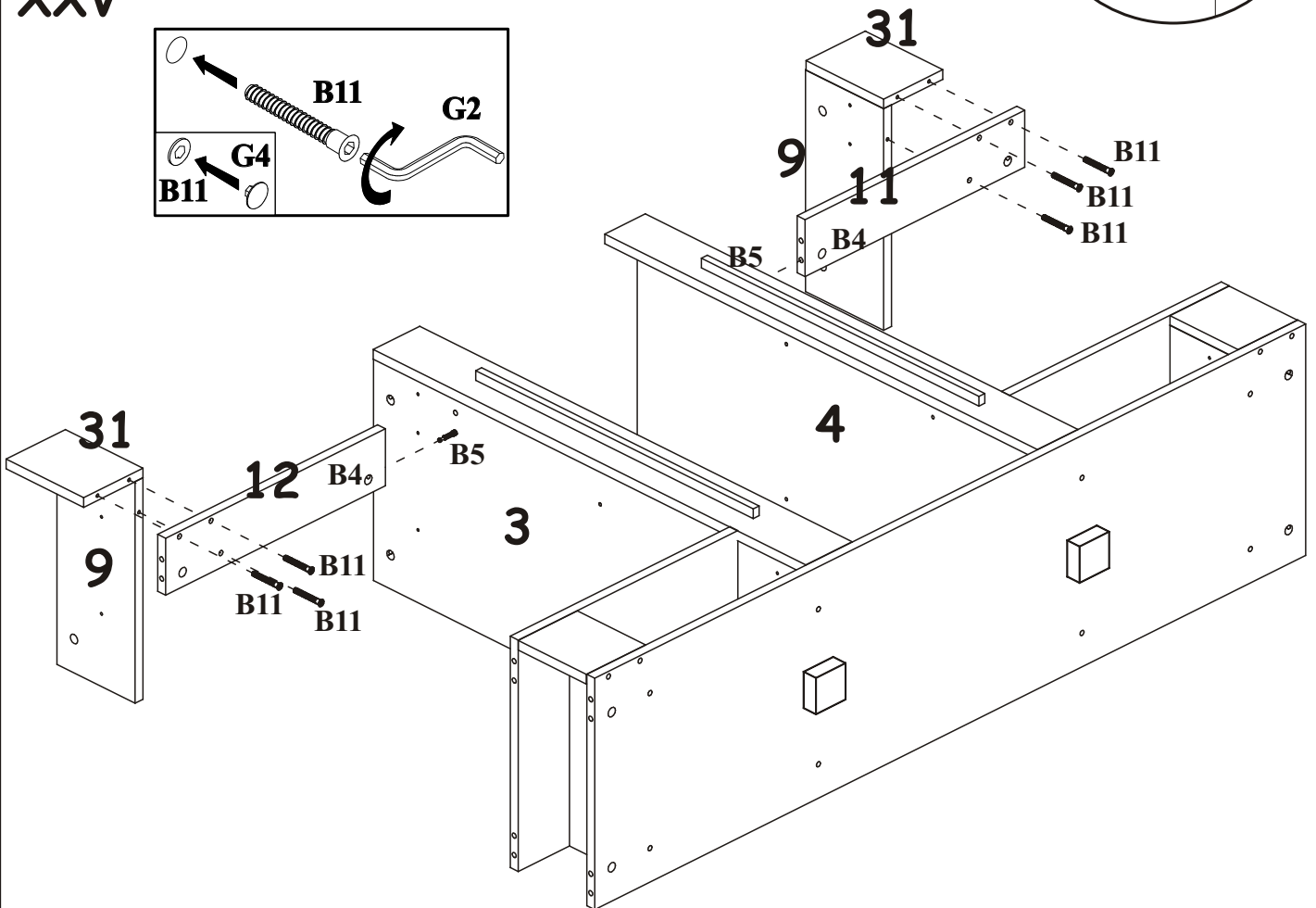
SYSTEM BOSTON TYPE 10  
SB BOSTON

24...BT

XXIV



XXV

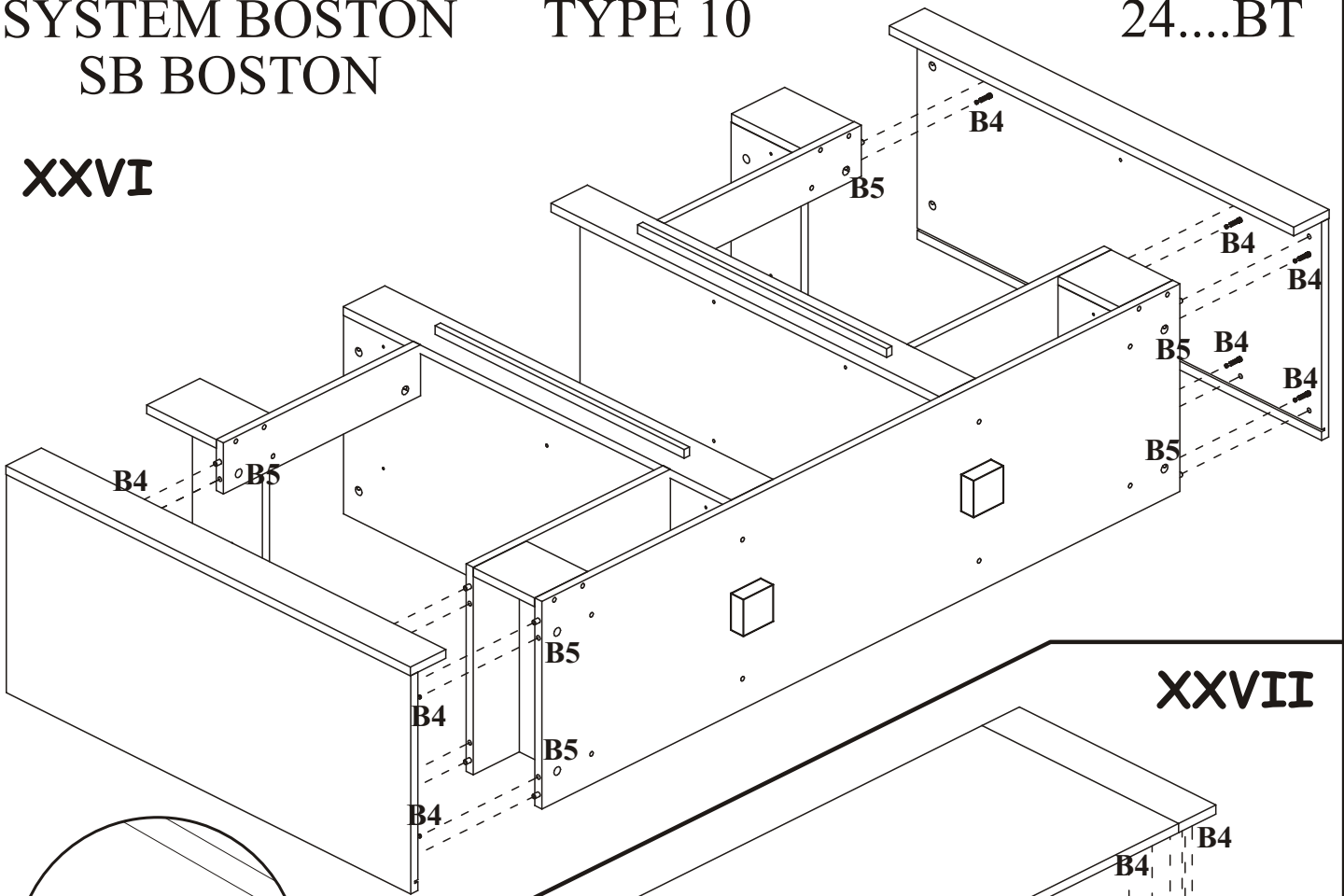


SYSTEM BOSTON  
SB BOSTON

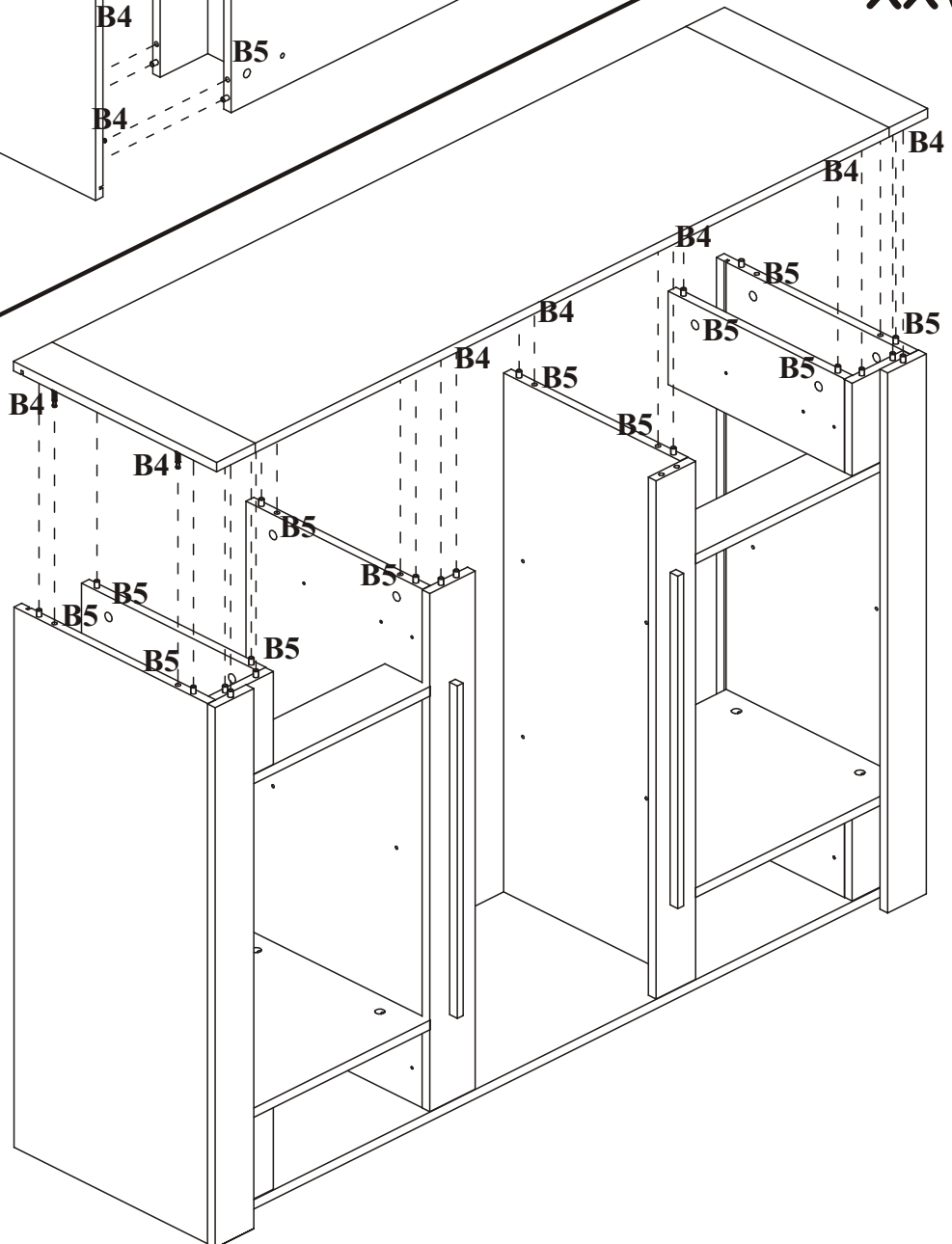
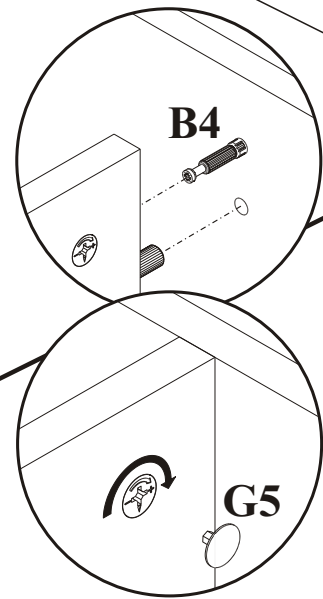
TYPE 10

24...BT

XXVI



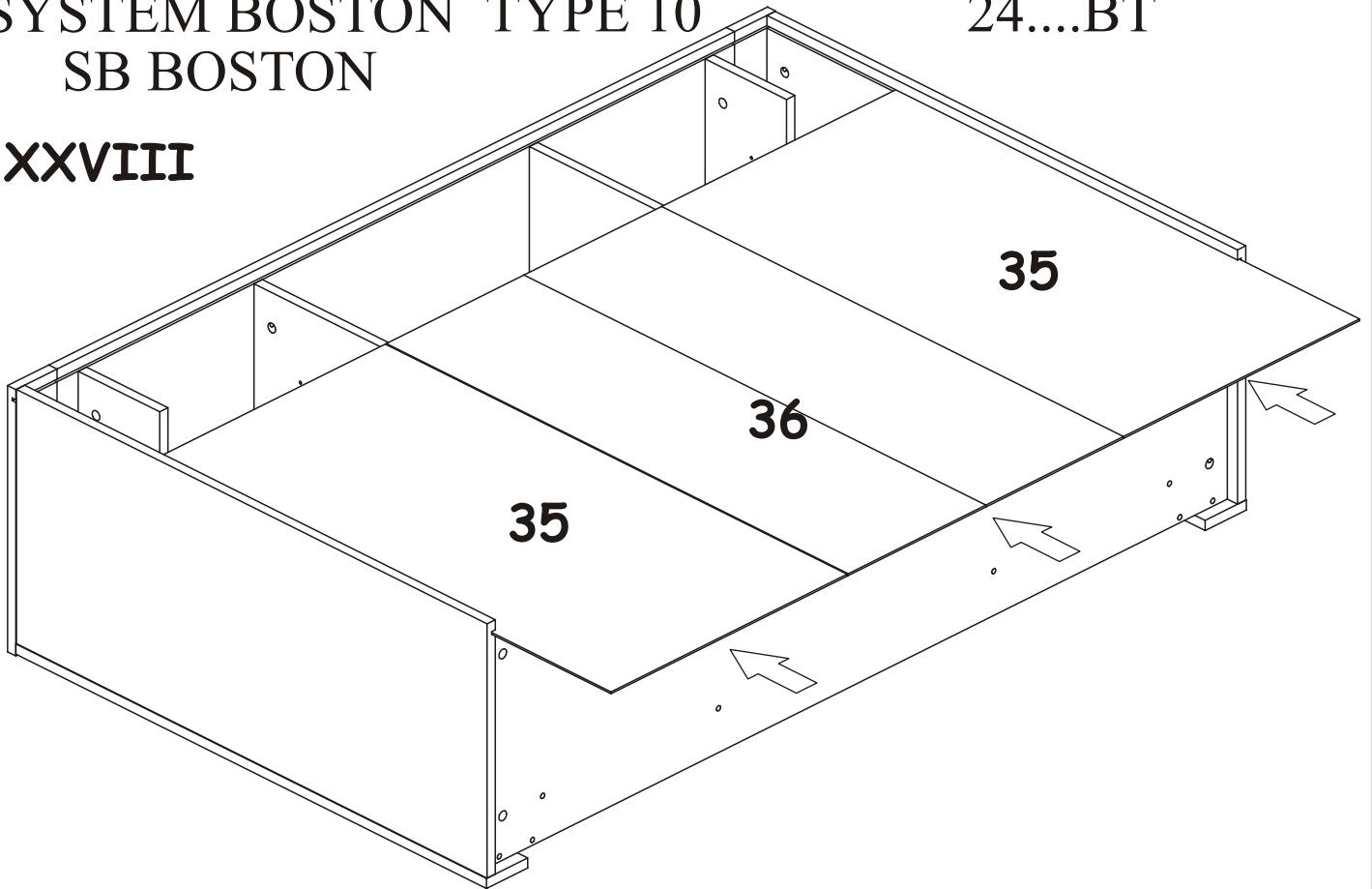
XXVII



SYSTEM BOSTON TYPE 10  
SB BOSTON

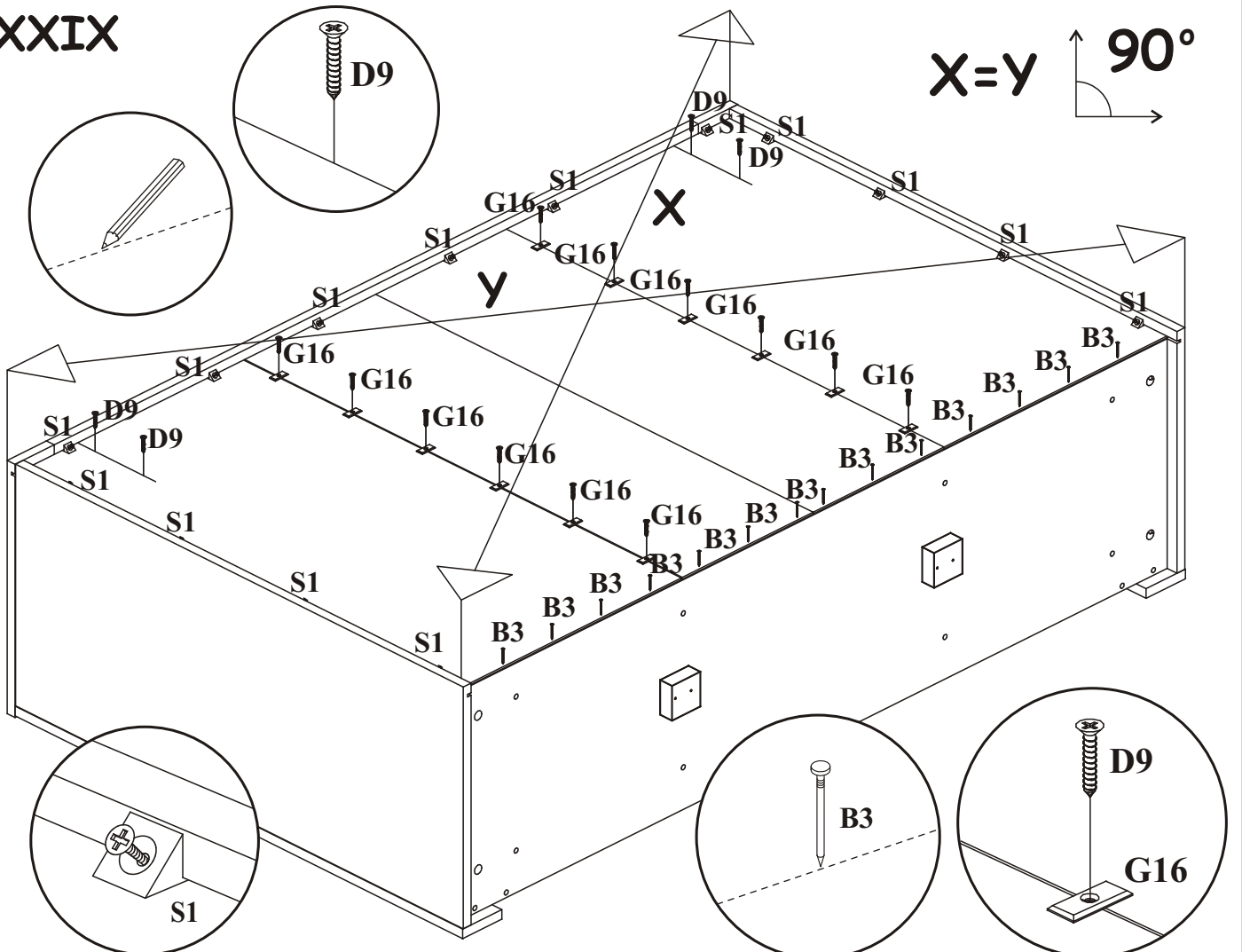
24...BT

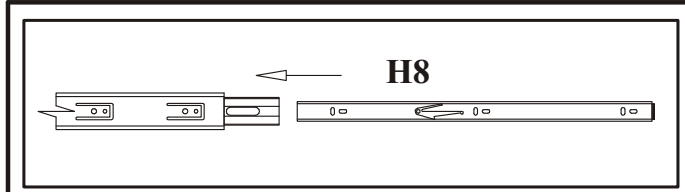
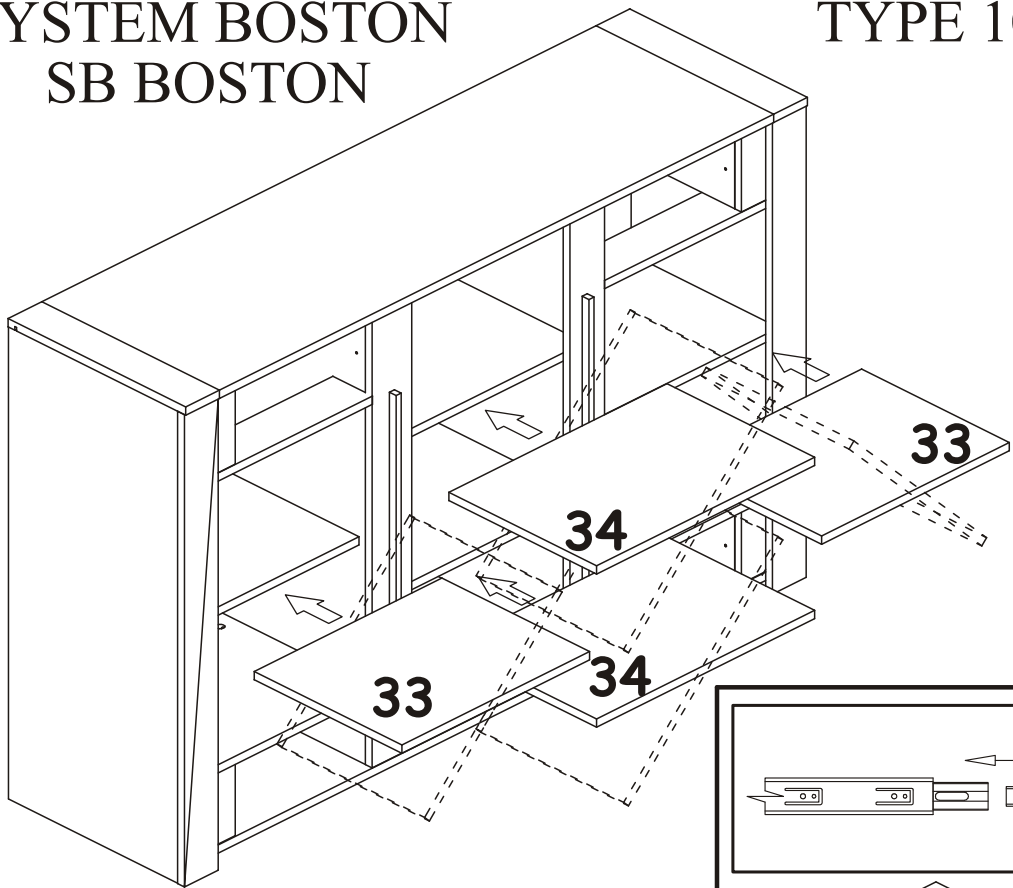
XXVIII



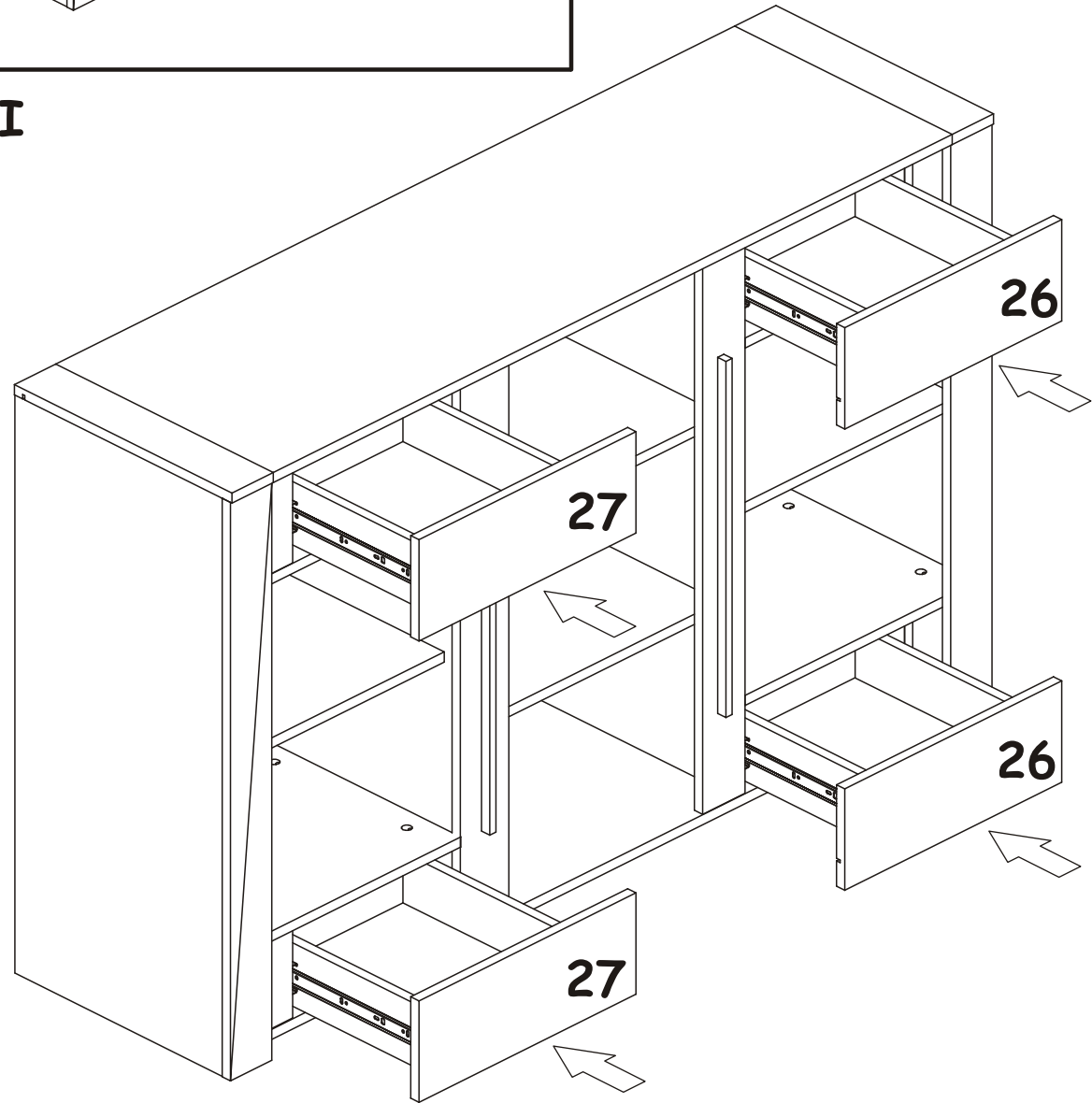
XXIX

$X=Y$   $90^\circ$





XXXI



XXXII

