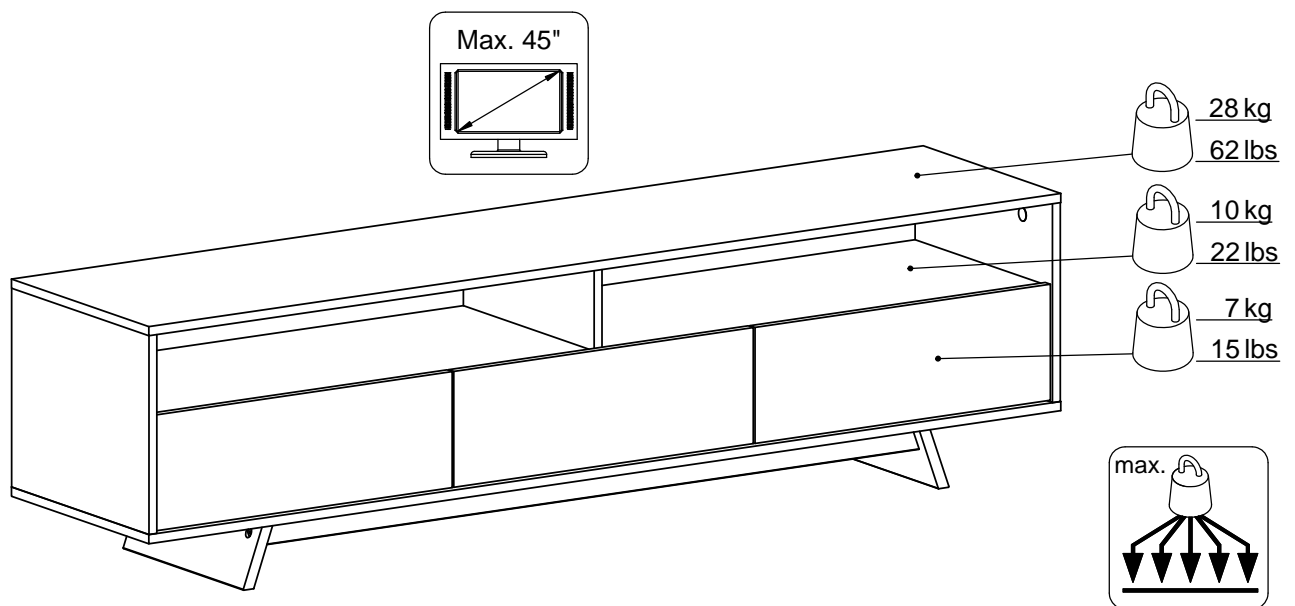


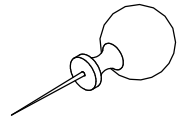
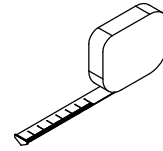
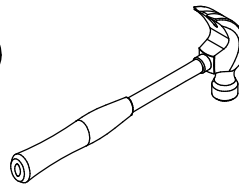
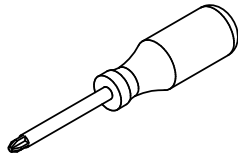
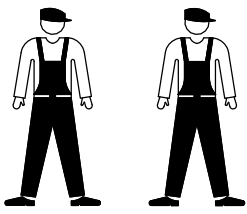
tvilum



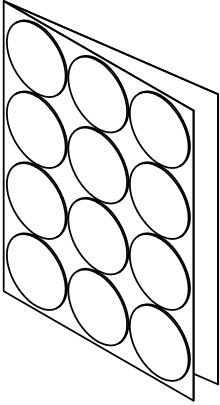
70047 OE

www.tvilum.com

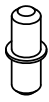




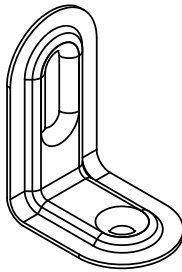
10901
x1



11011
x6



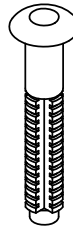
13418
x6



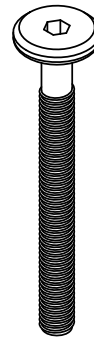
20203
x22



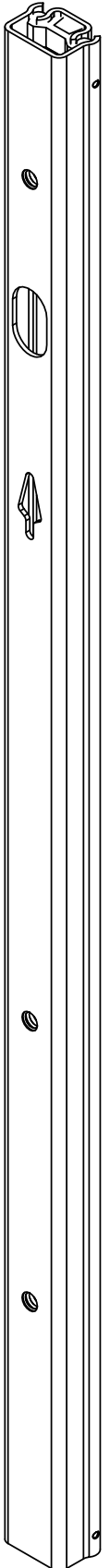
20228
x12



20620
x4



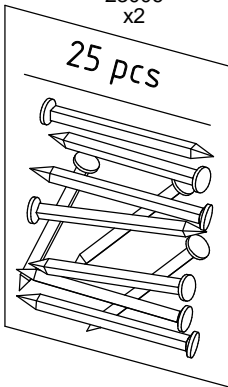
41435
x6



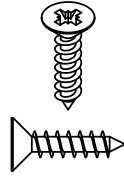
21010
x4



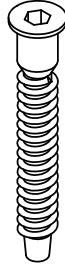
23006
x2



25233
x18



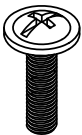
25610
x10



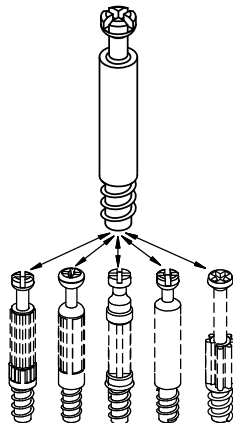
26020
x12



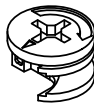
26221
x12



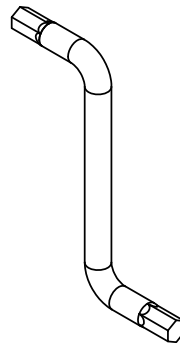
31513
x18

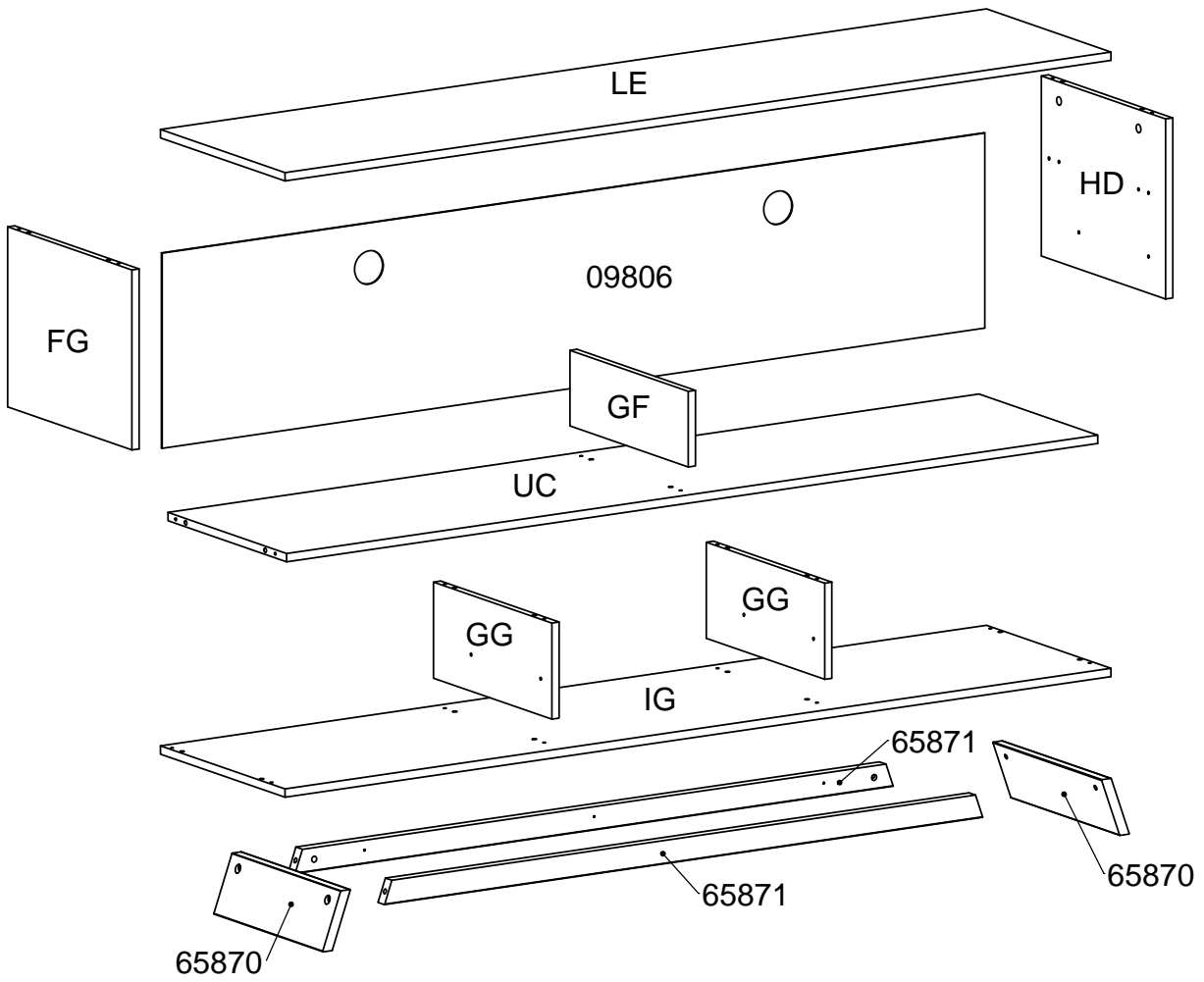
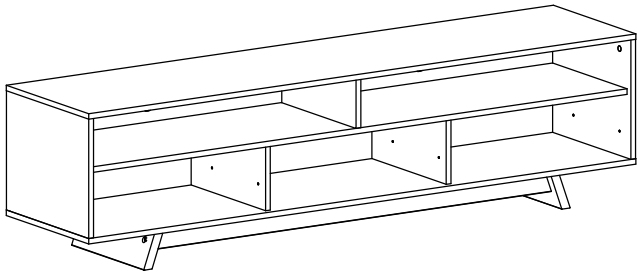


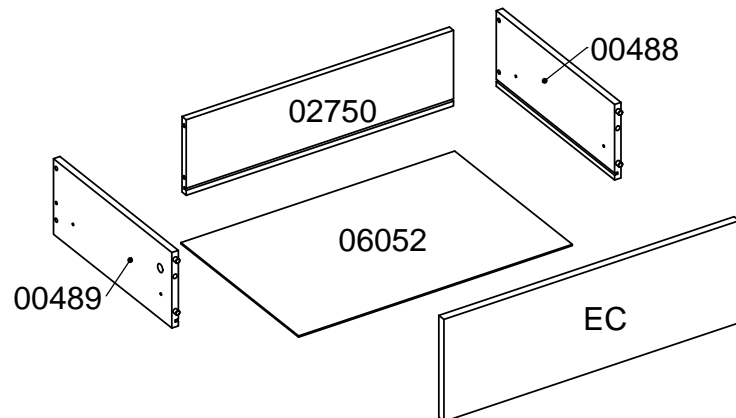
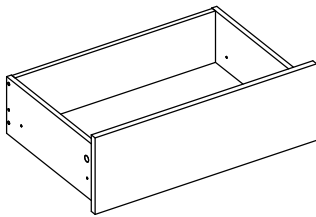
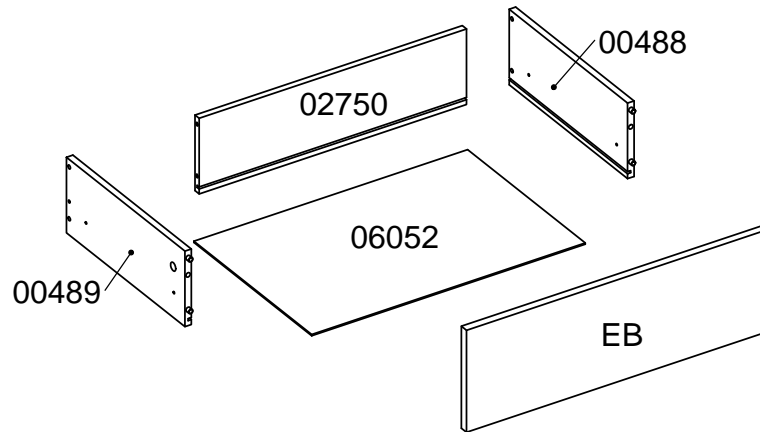
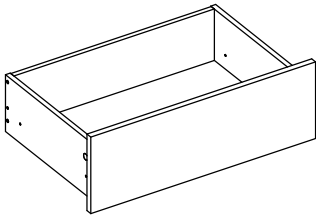
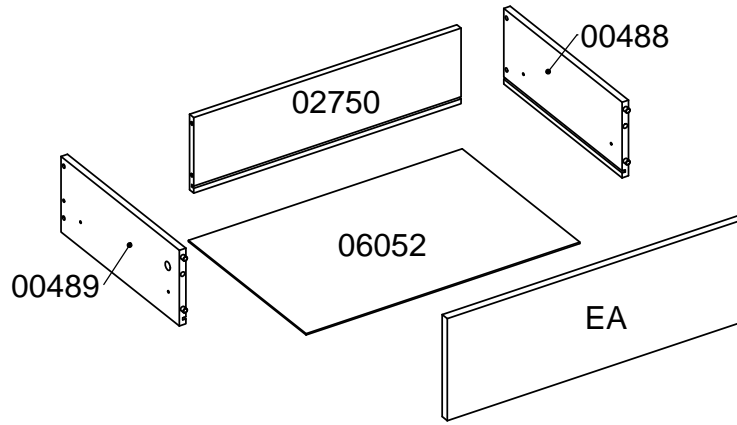
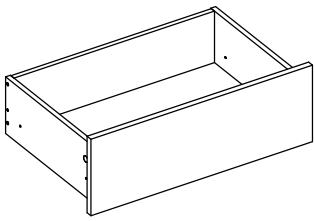
31687
x18

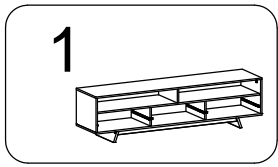


97642
x1

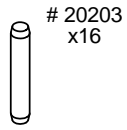




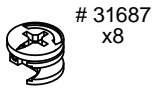




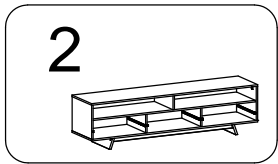
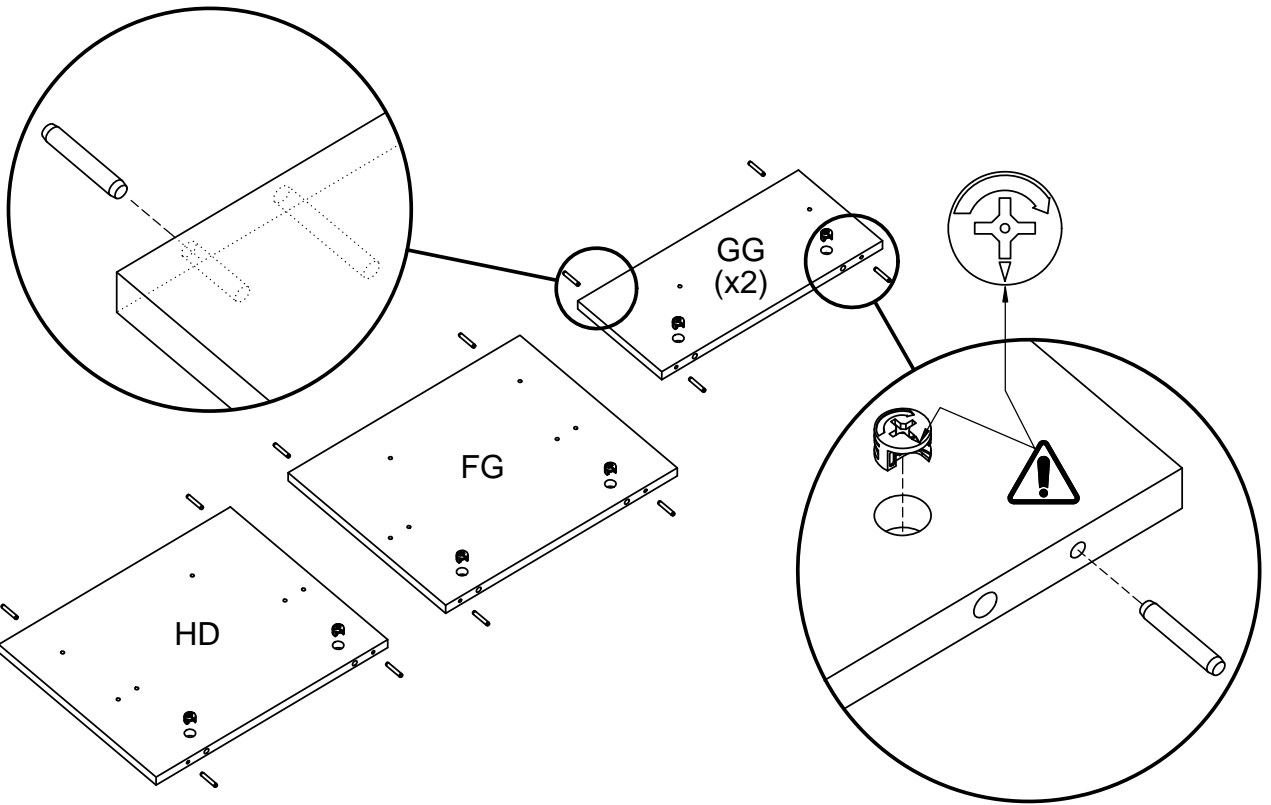
1



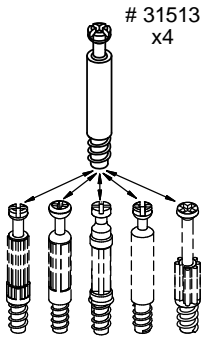
20203
x16



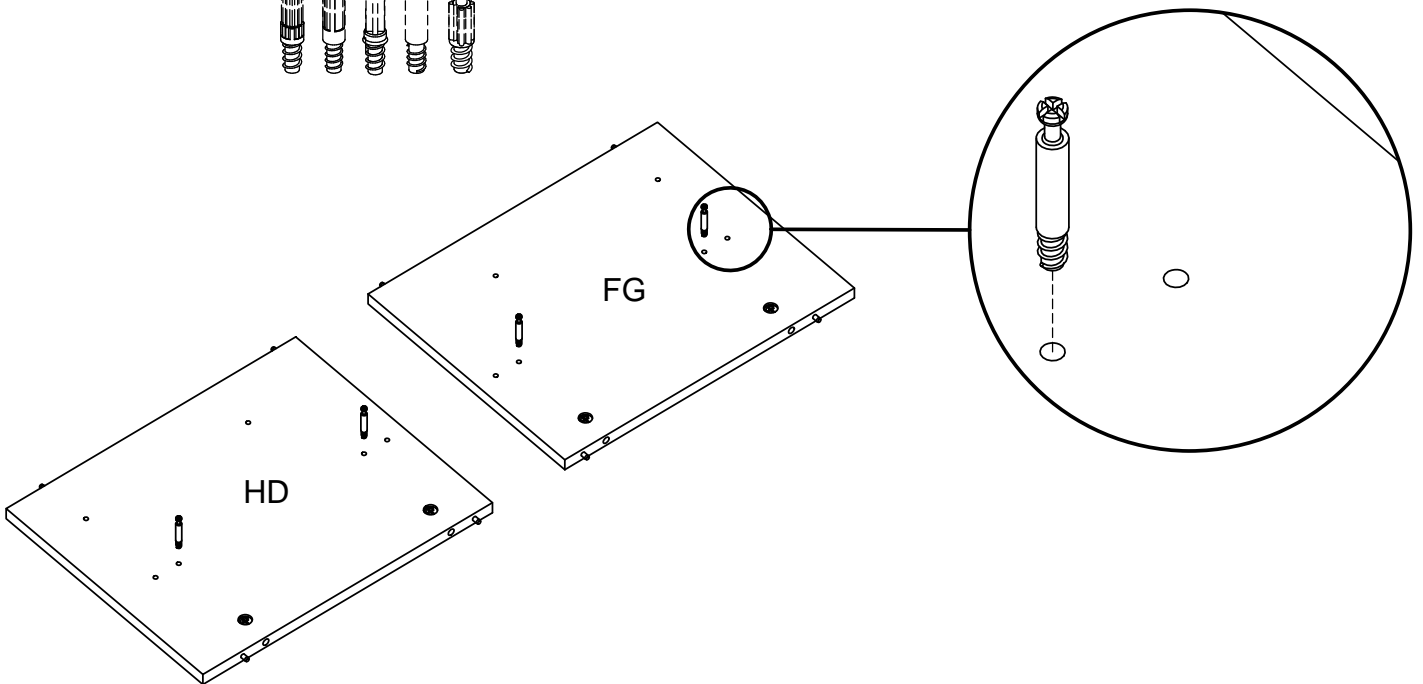
31687
x8

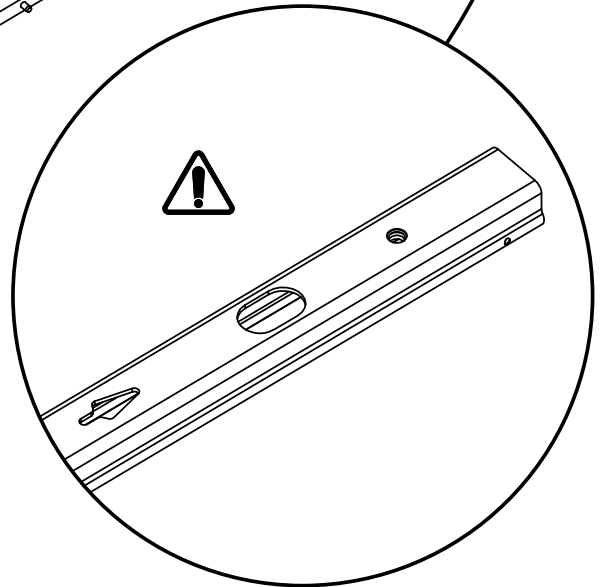
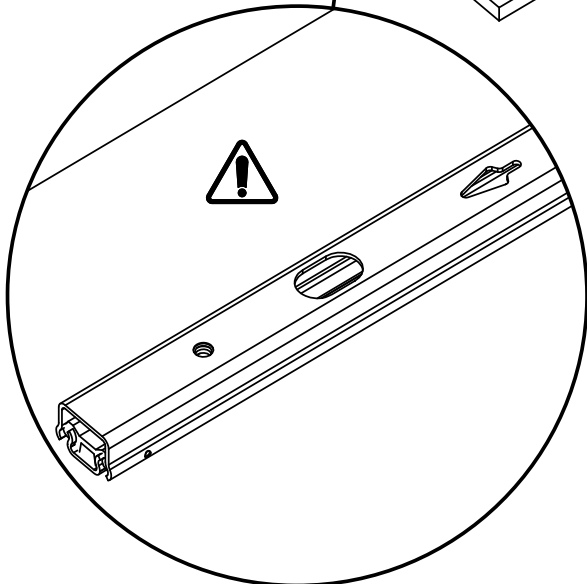
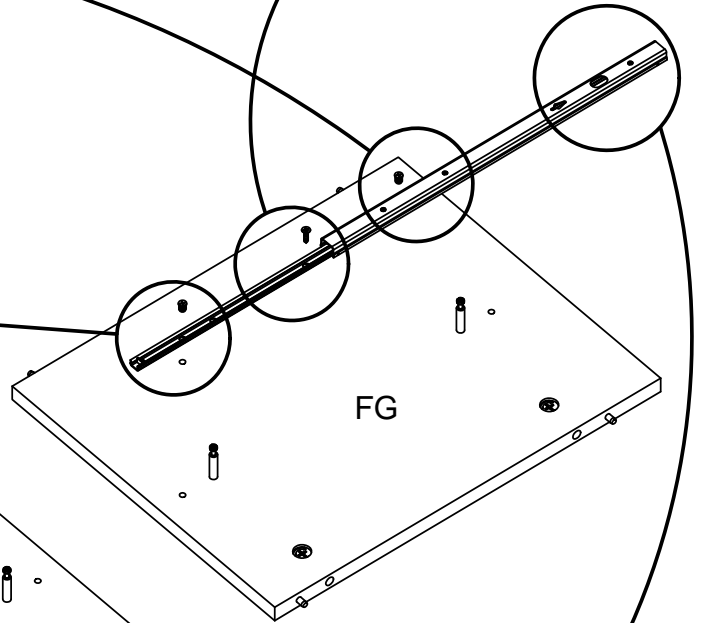
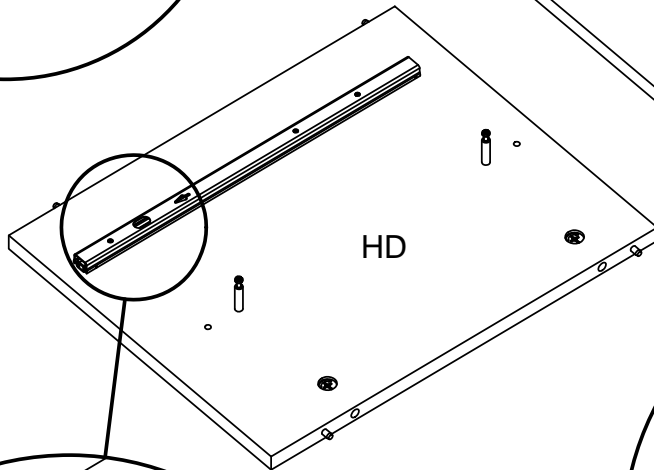
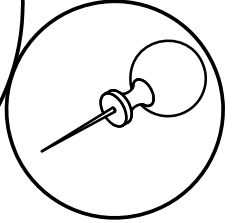
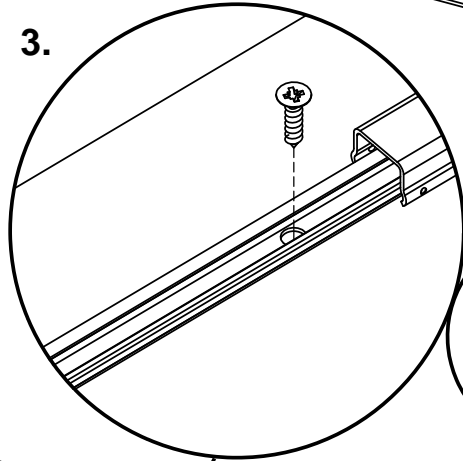
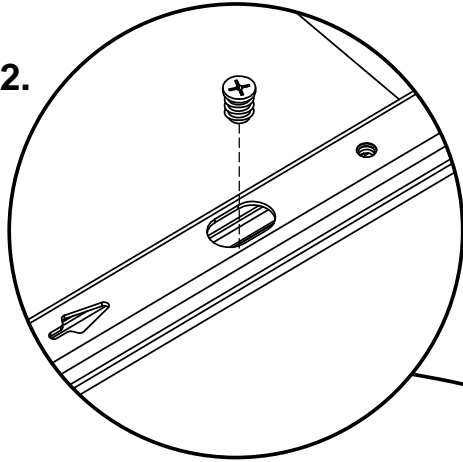
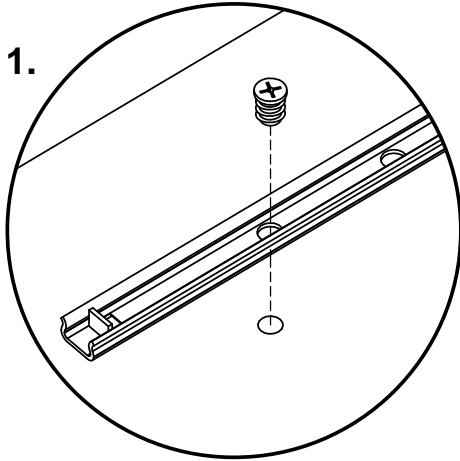
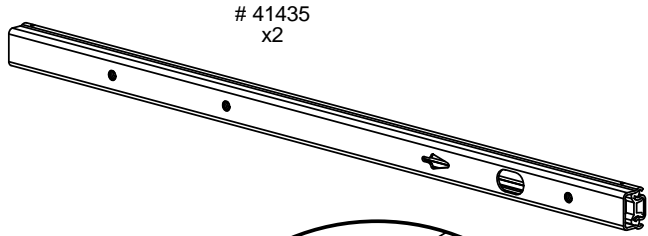
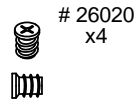
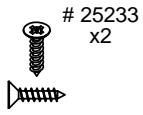
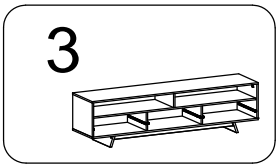


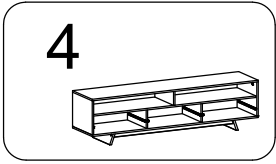
2



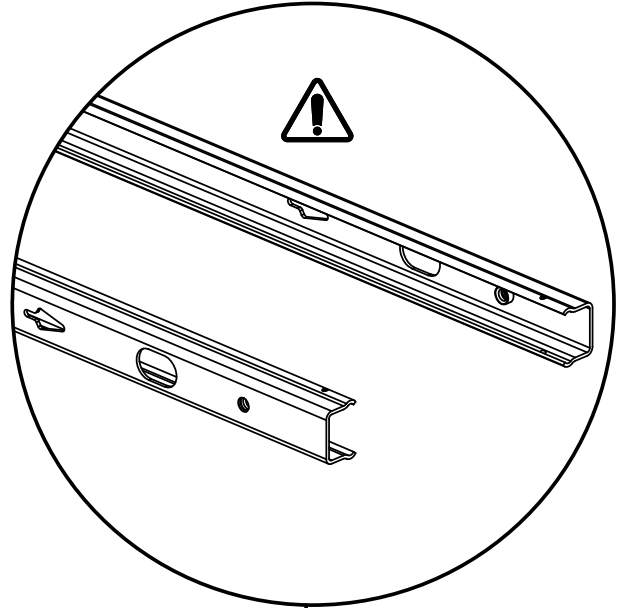
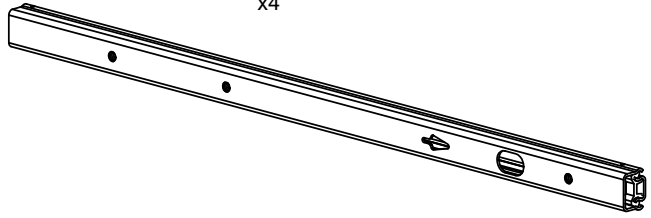
31513
x4



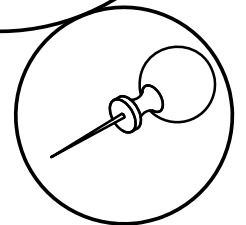
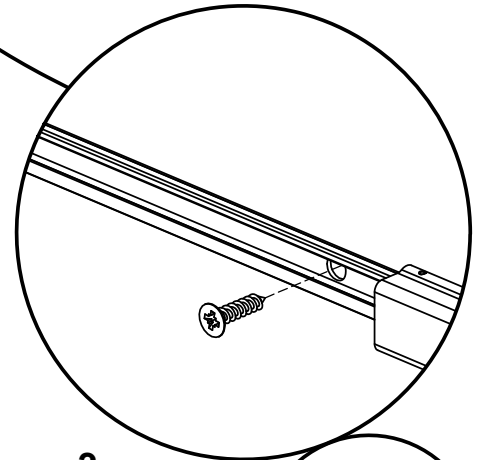
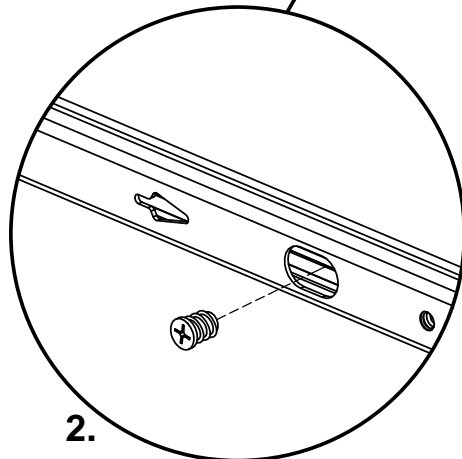
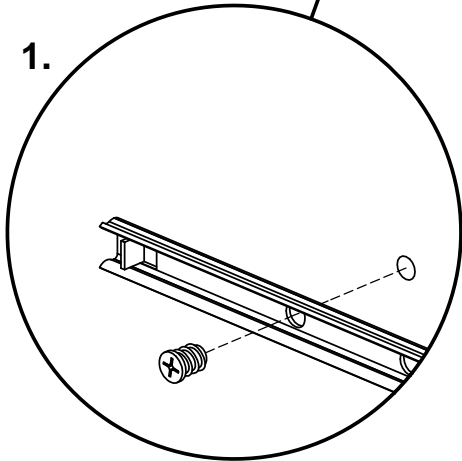
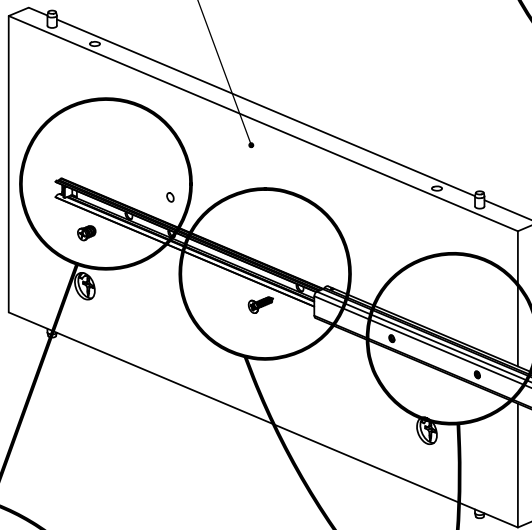


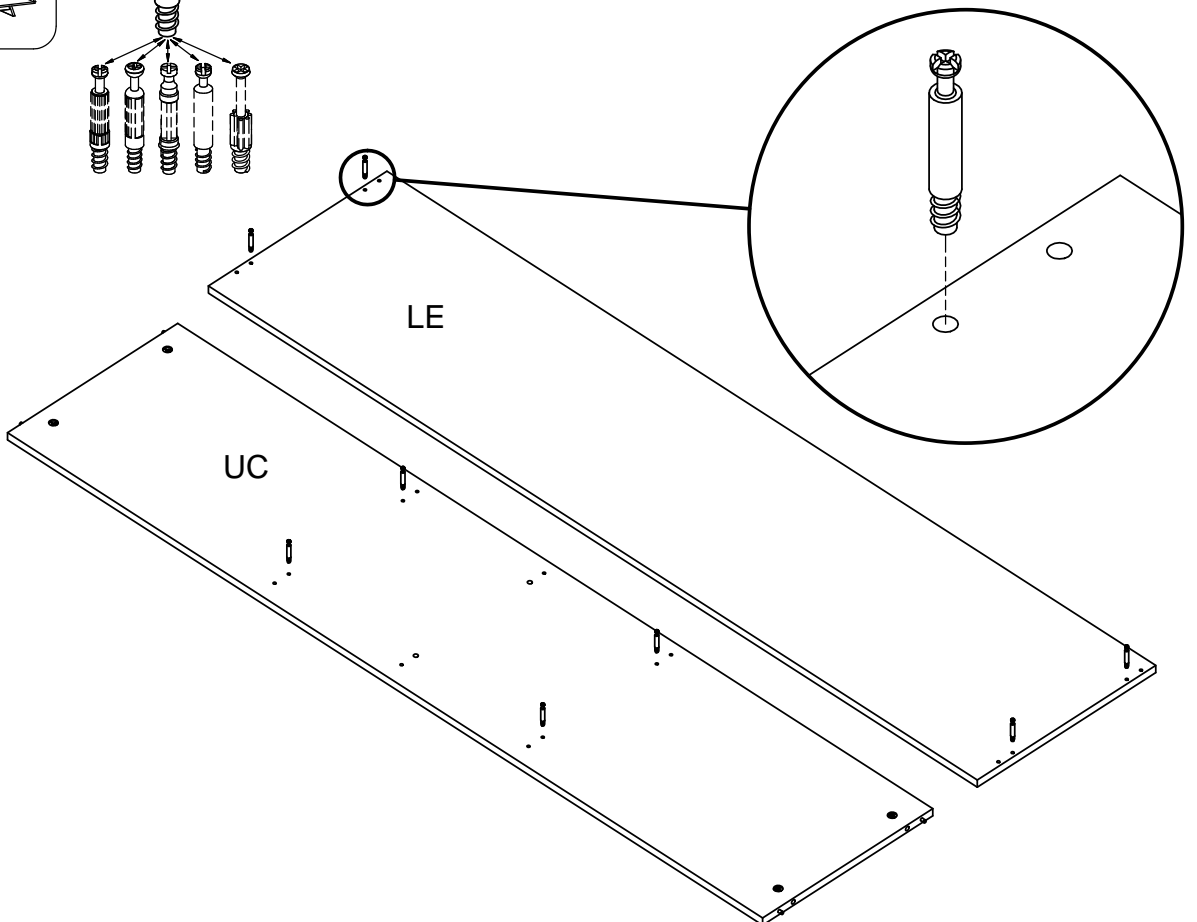
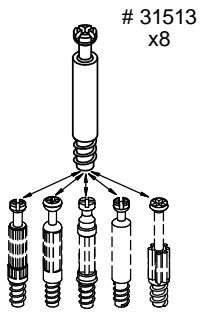
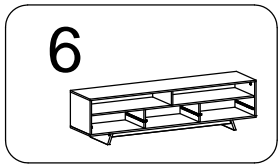
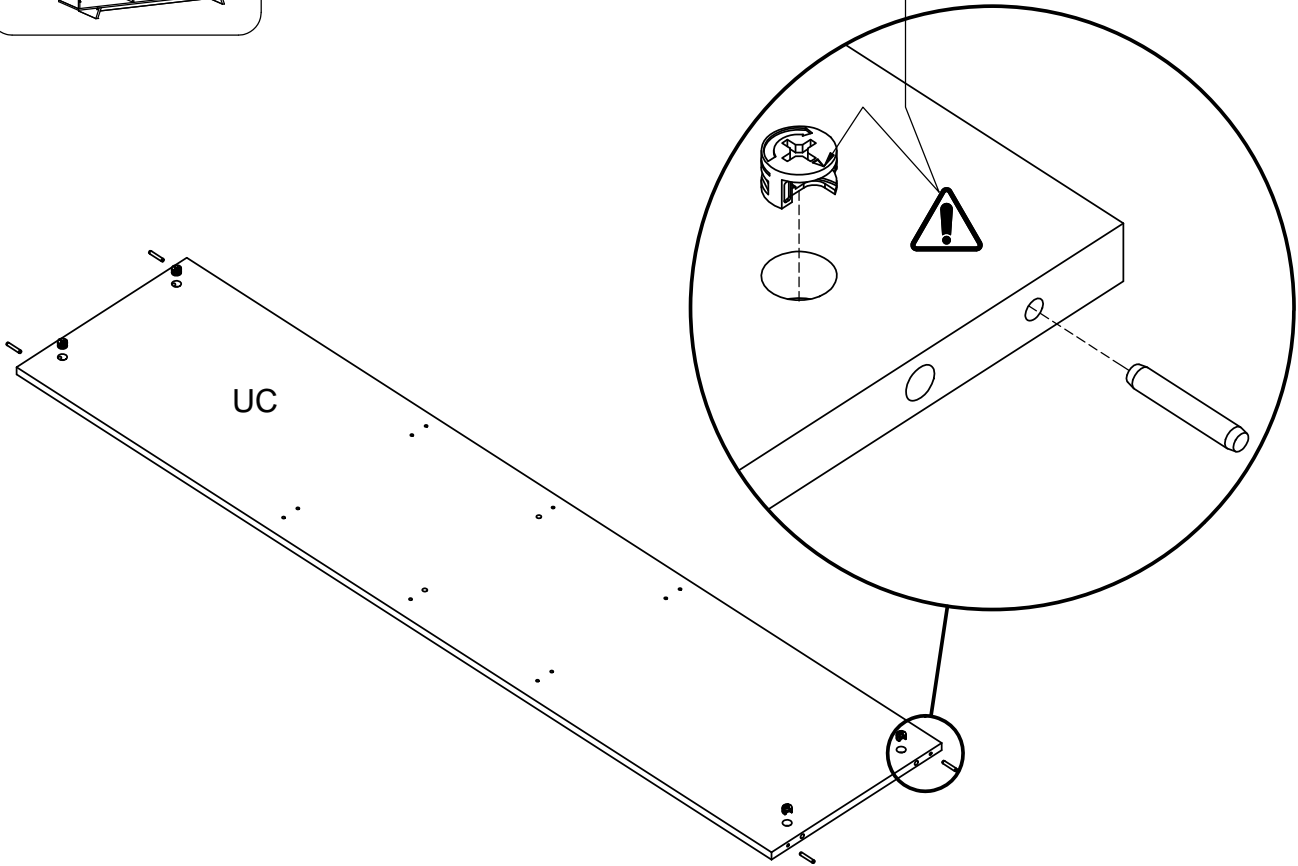
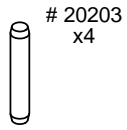
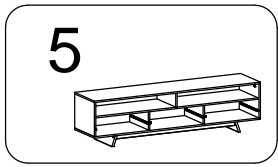


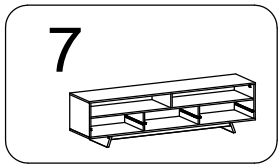
41435
x4



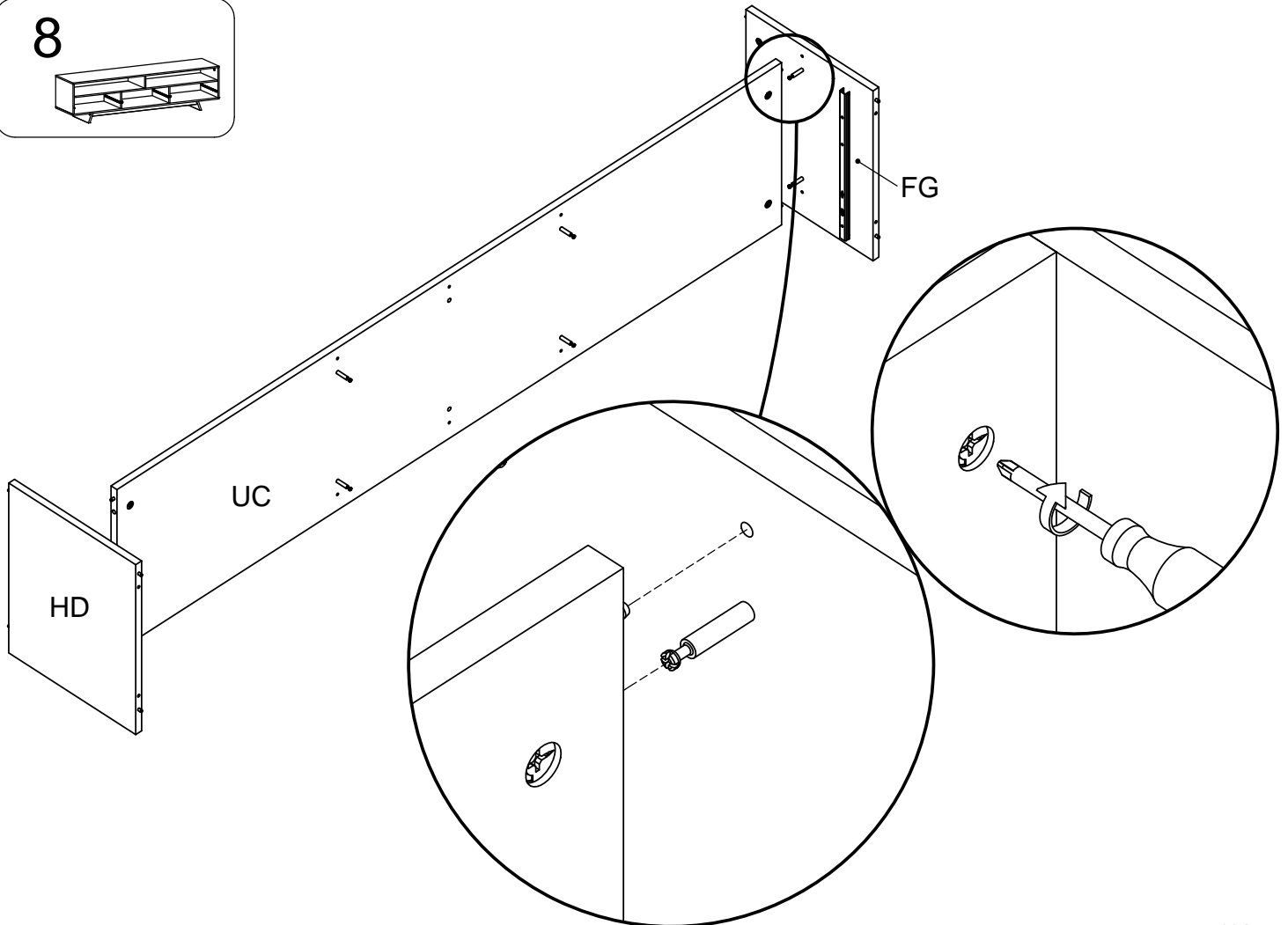
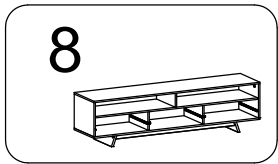
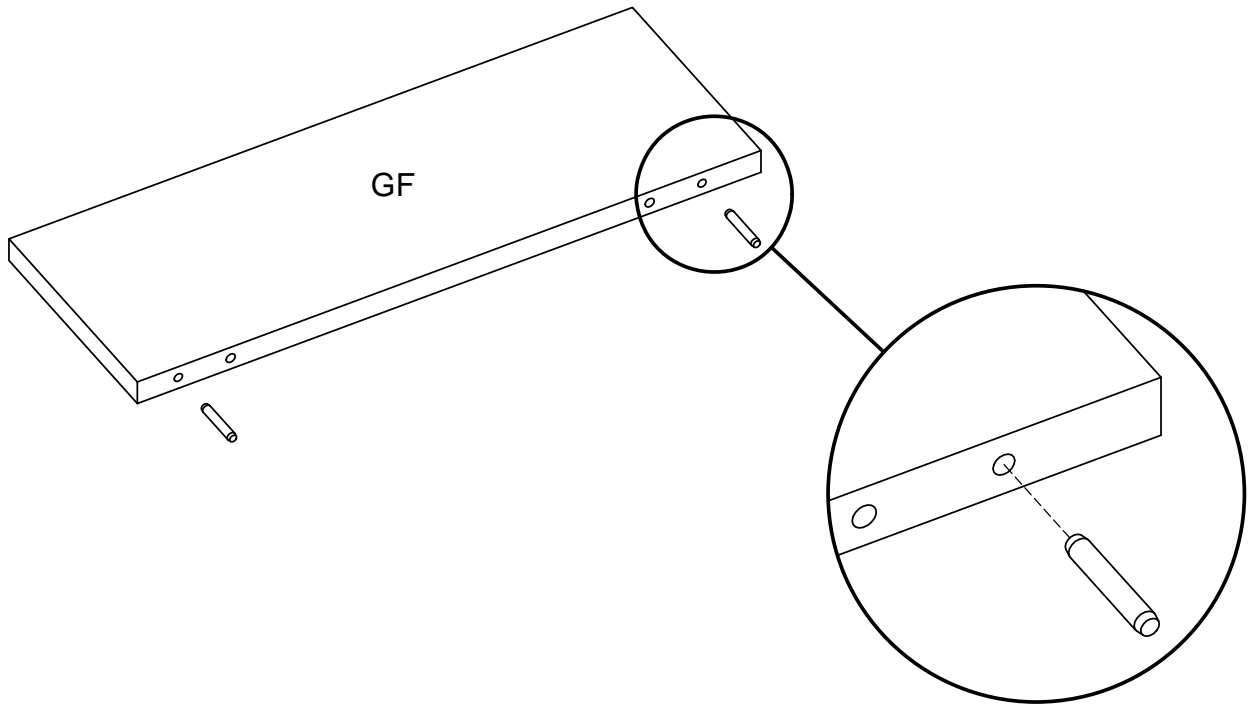
GG
(x2)

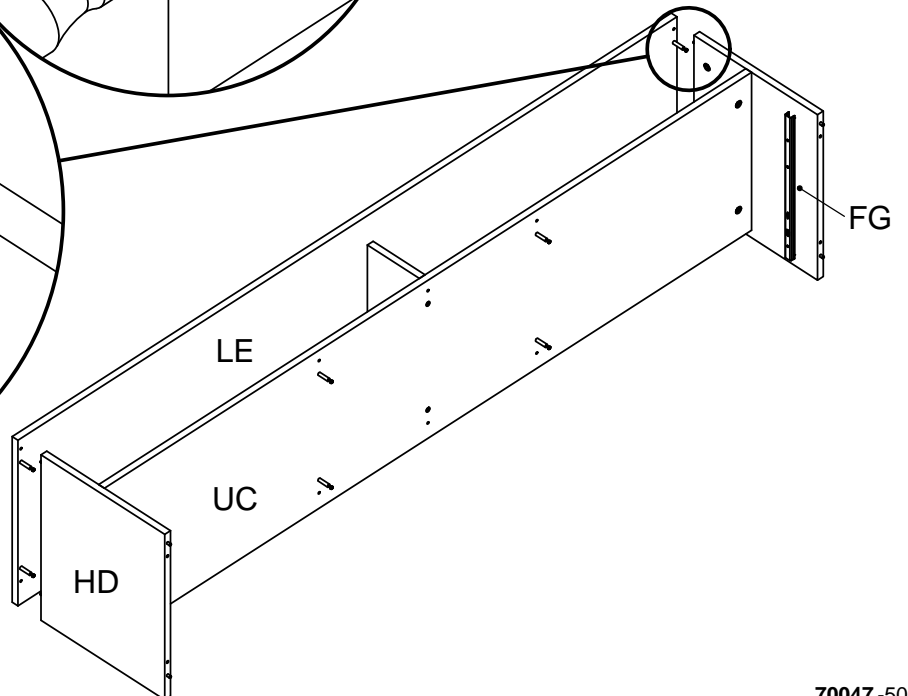
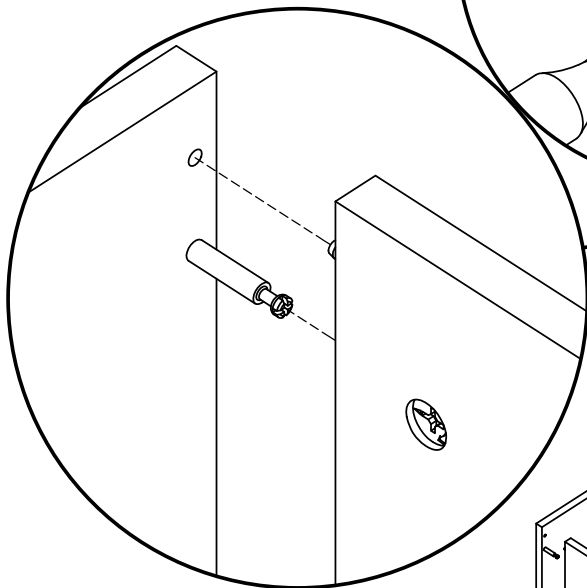
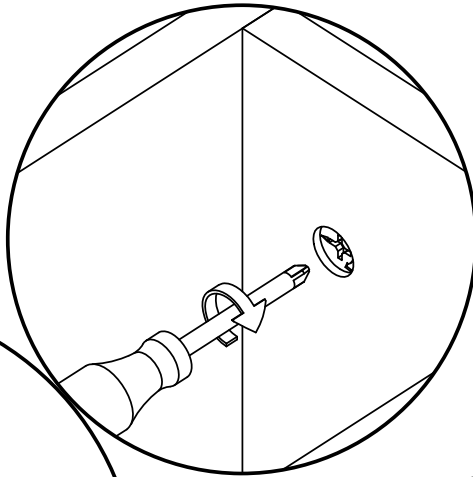
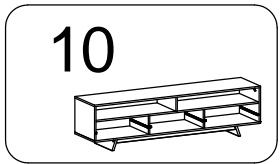
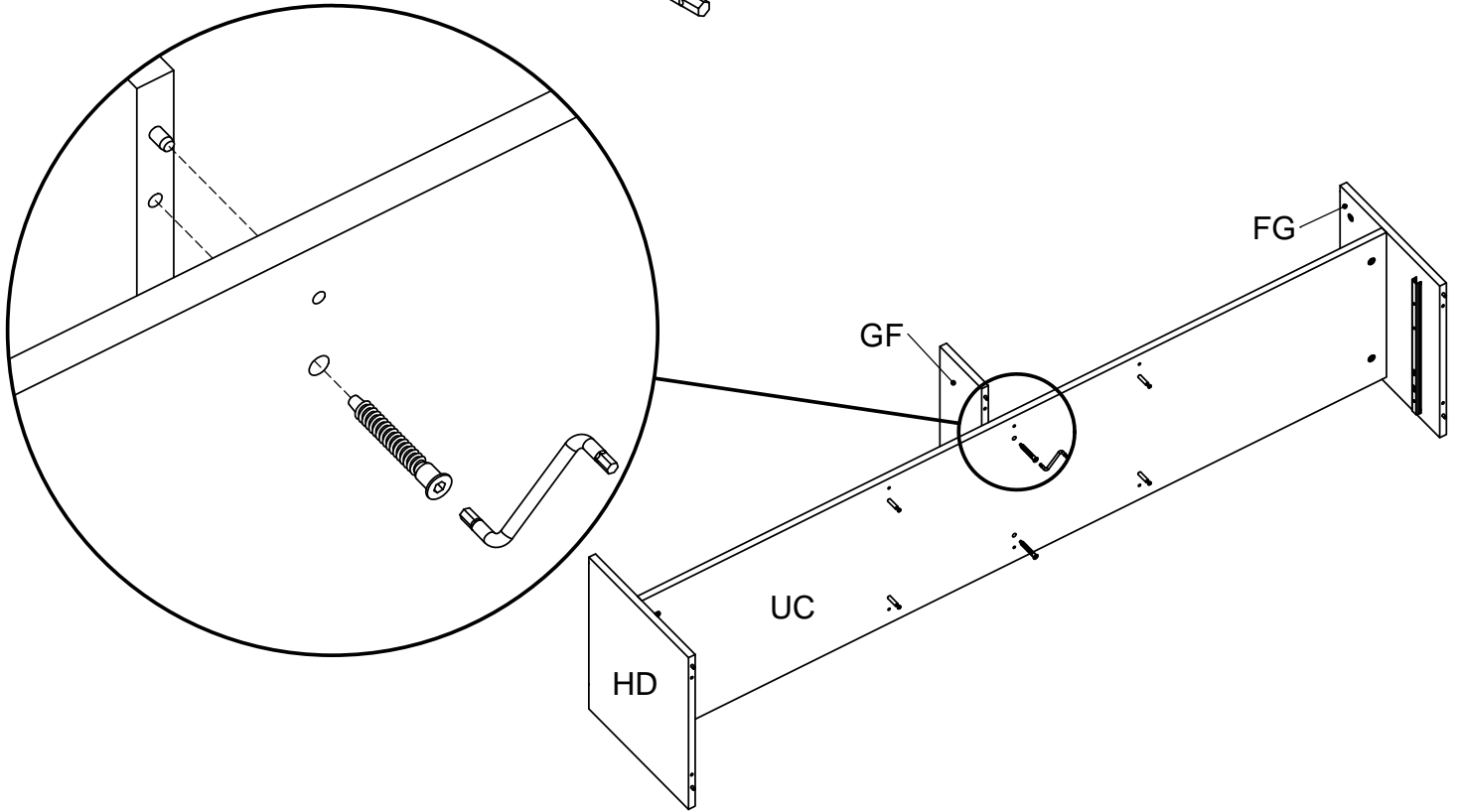
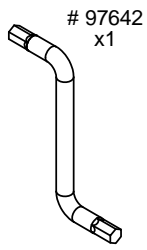
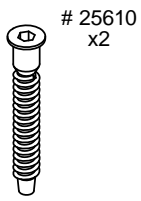
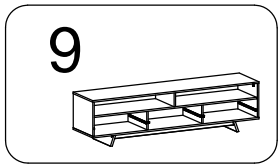




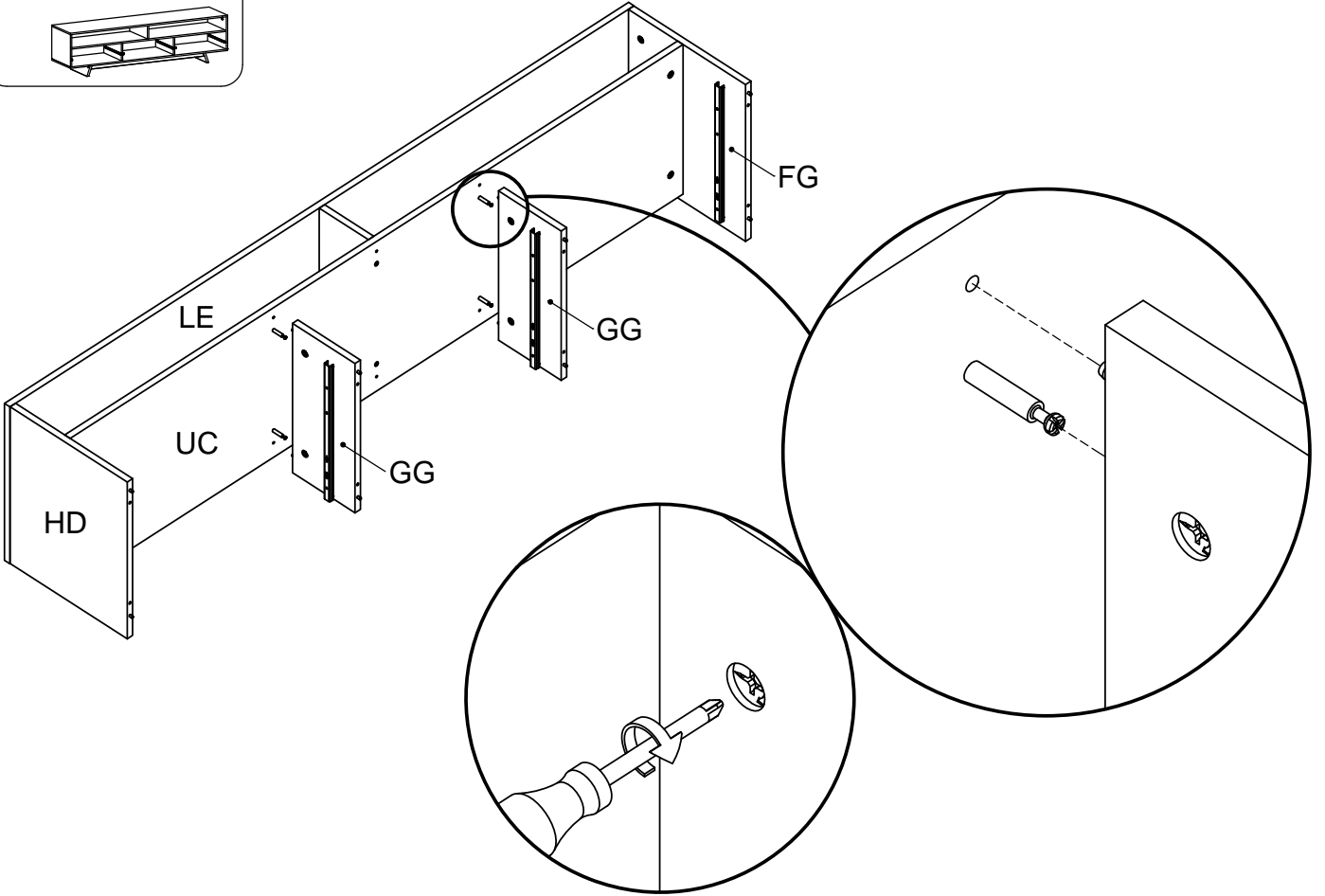


20203
x2

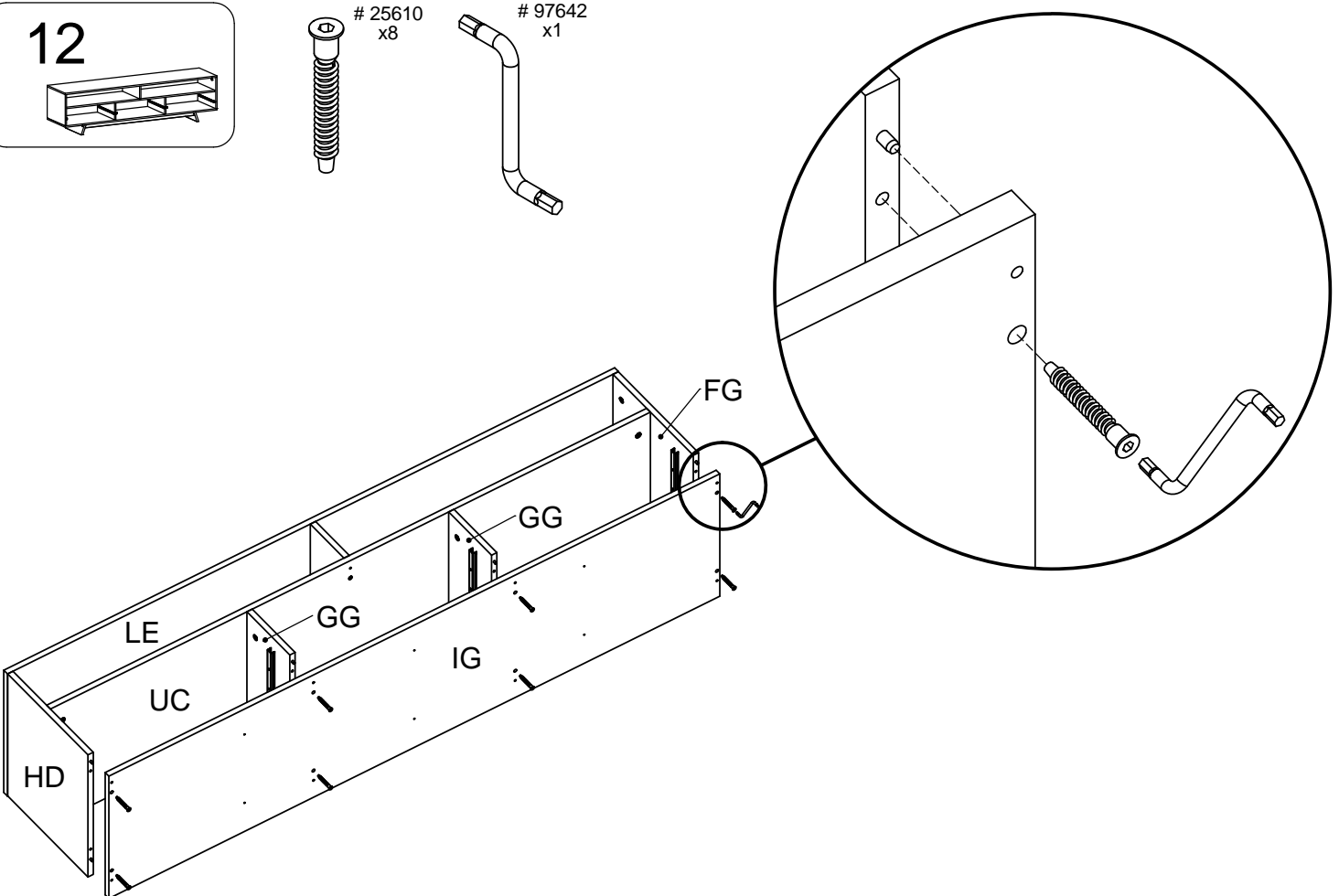


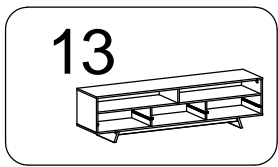


11

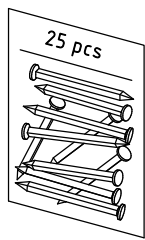


12

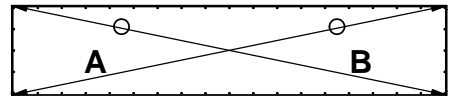




13



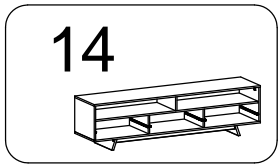
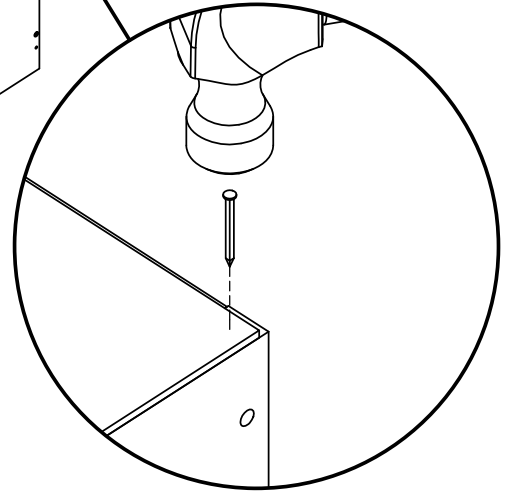
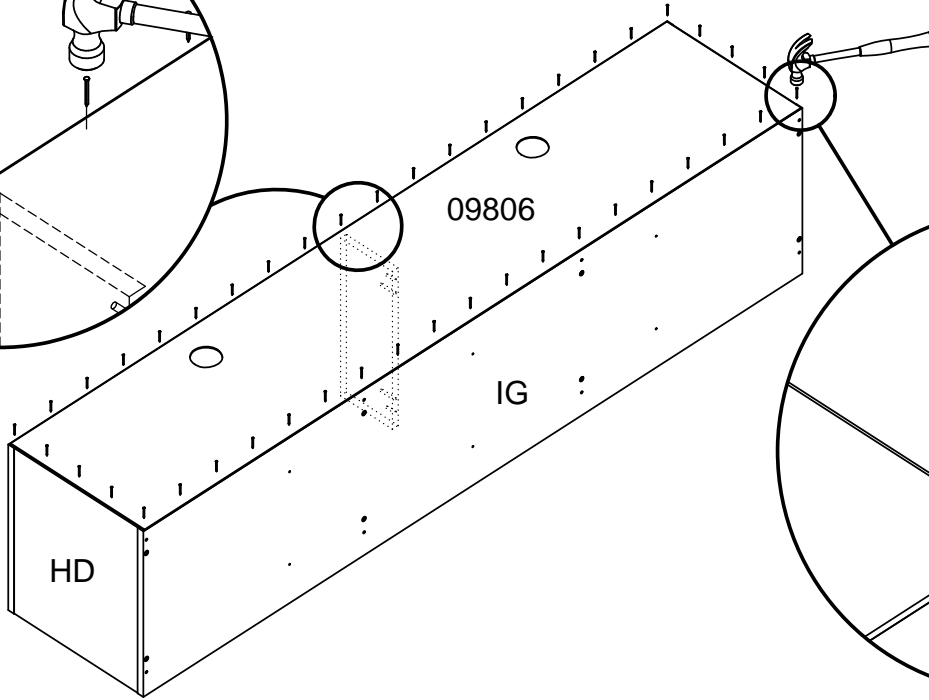
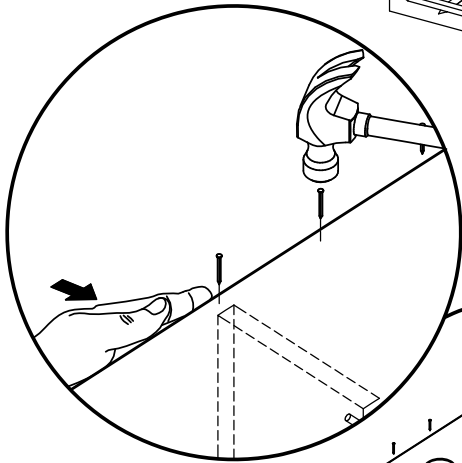
23006
x2



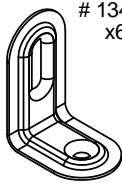
A

B

A = B



14



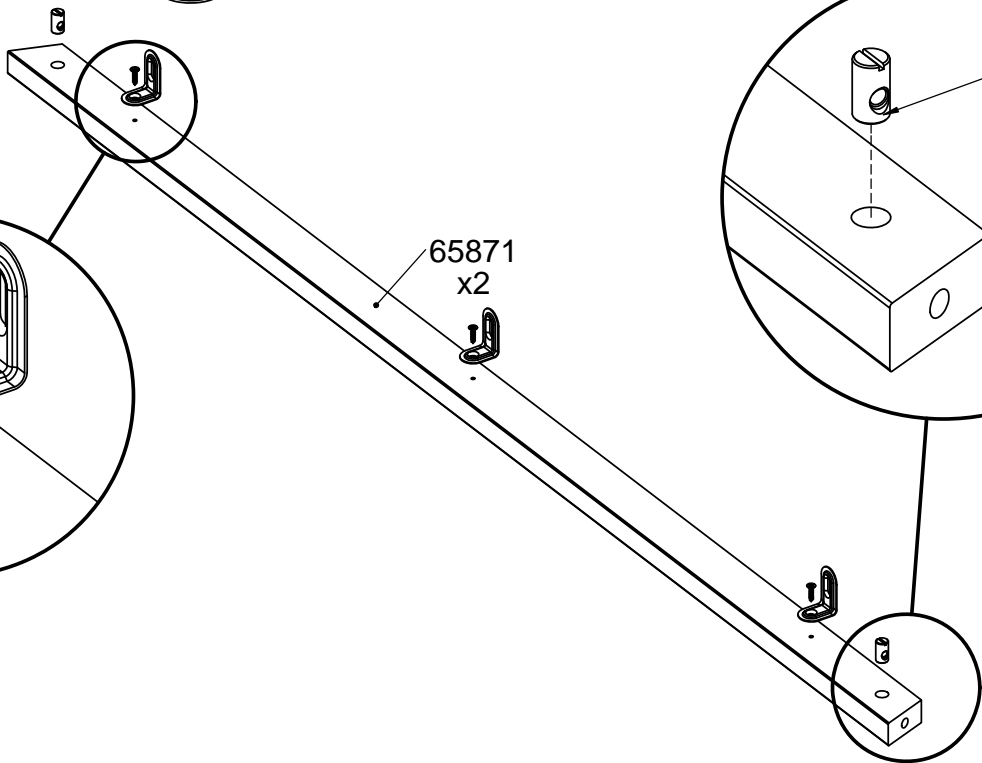
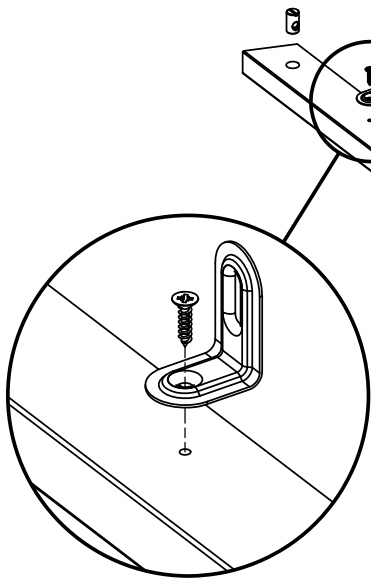
13418
x6



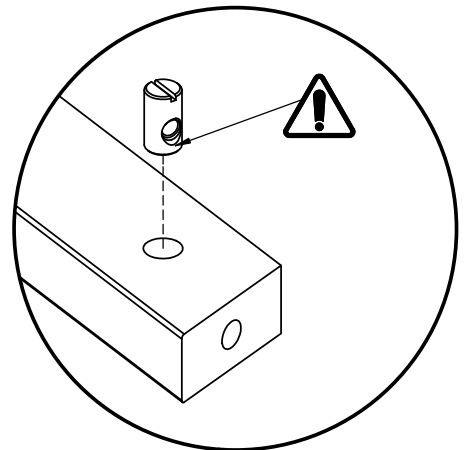
21010
x4

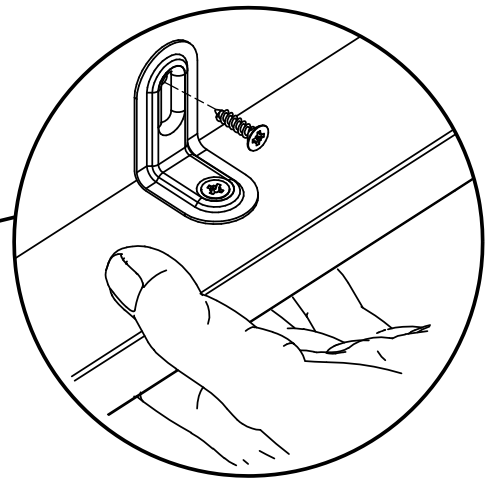
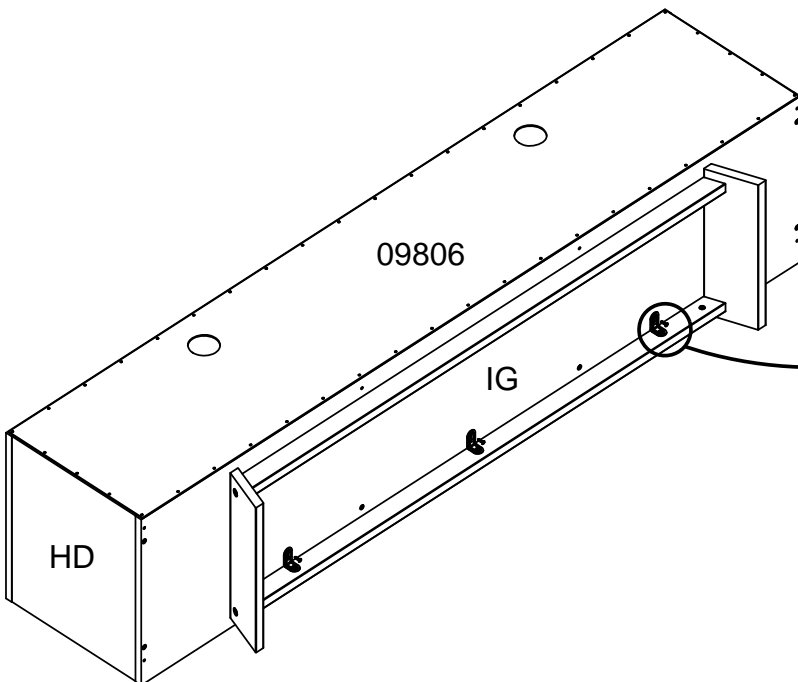
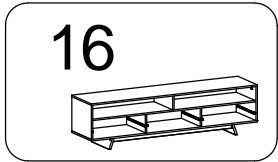
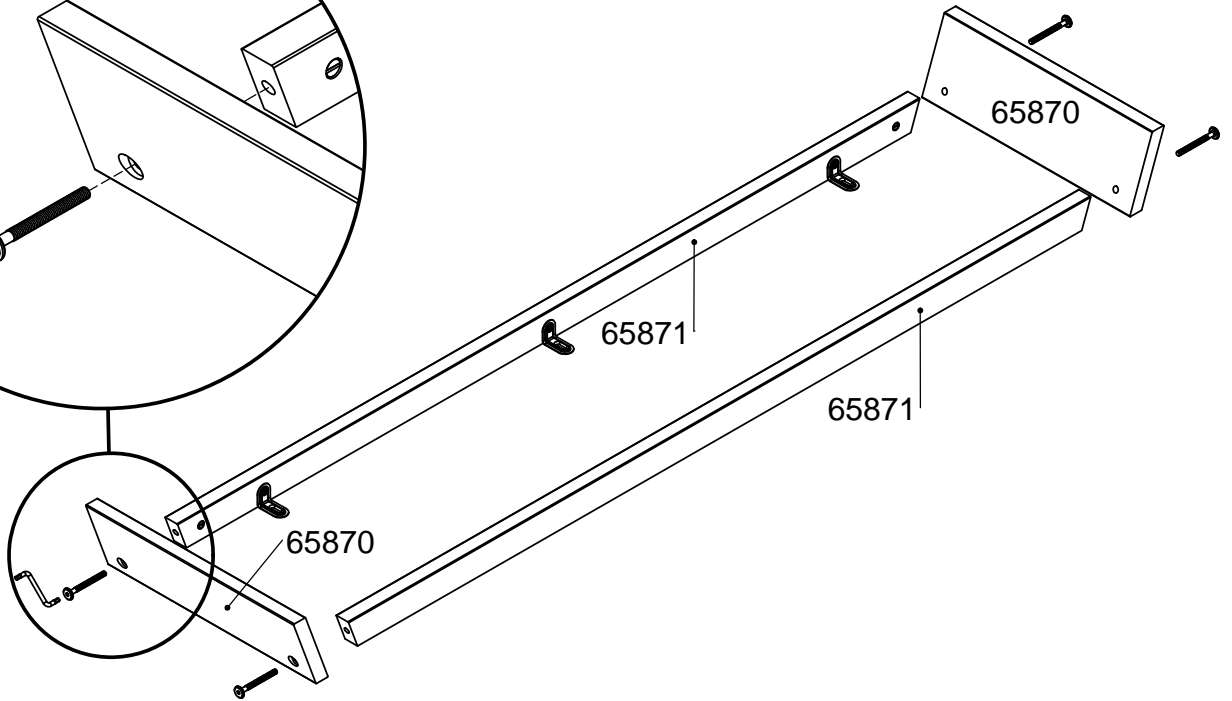
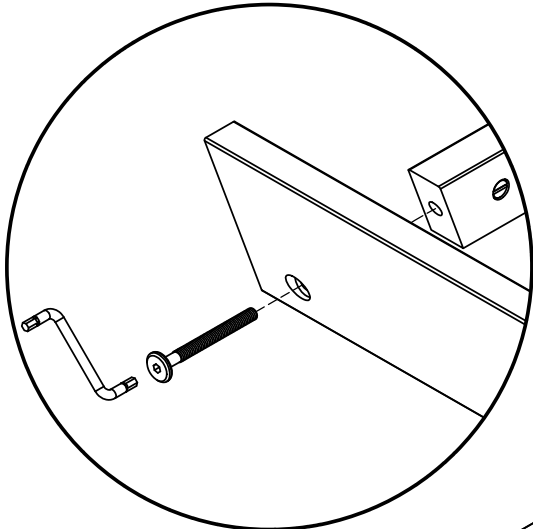
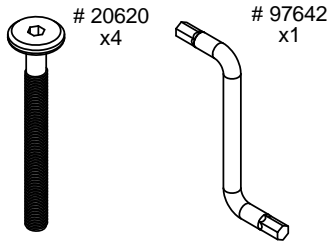
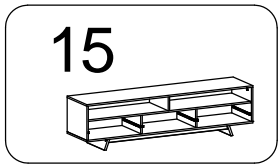


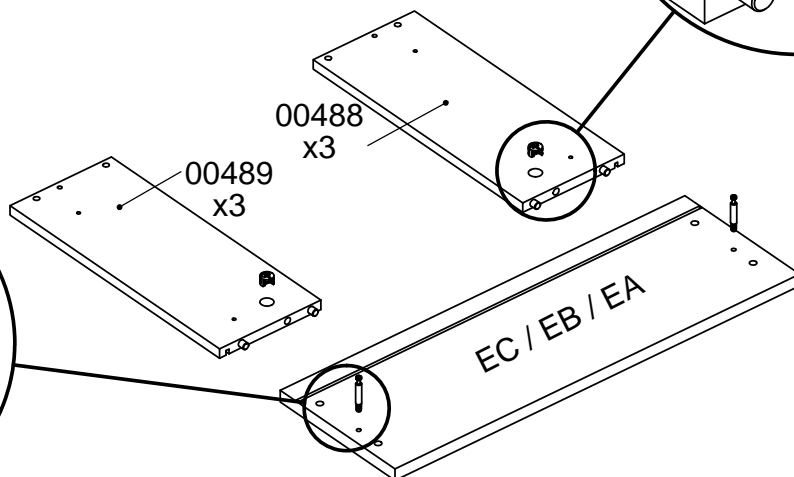
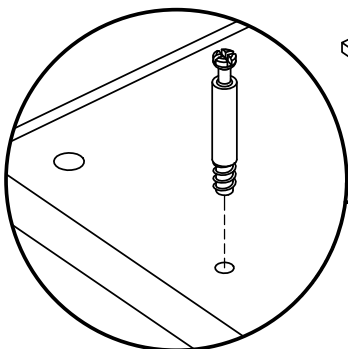
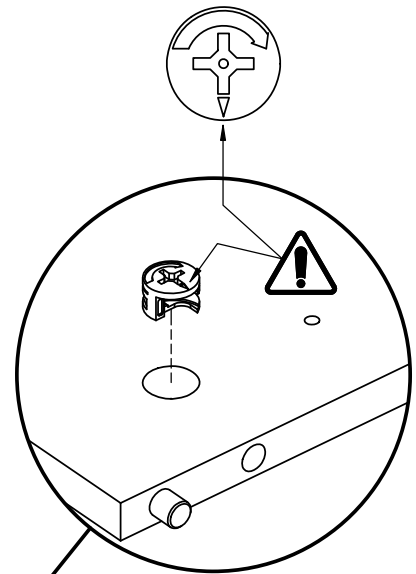
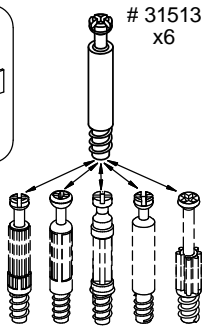
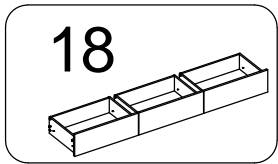
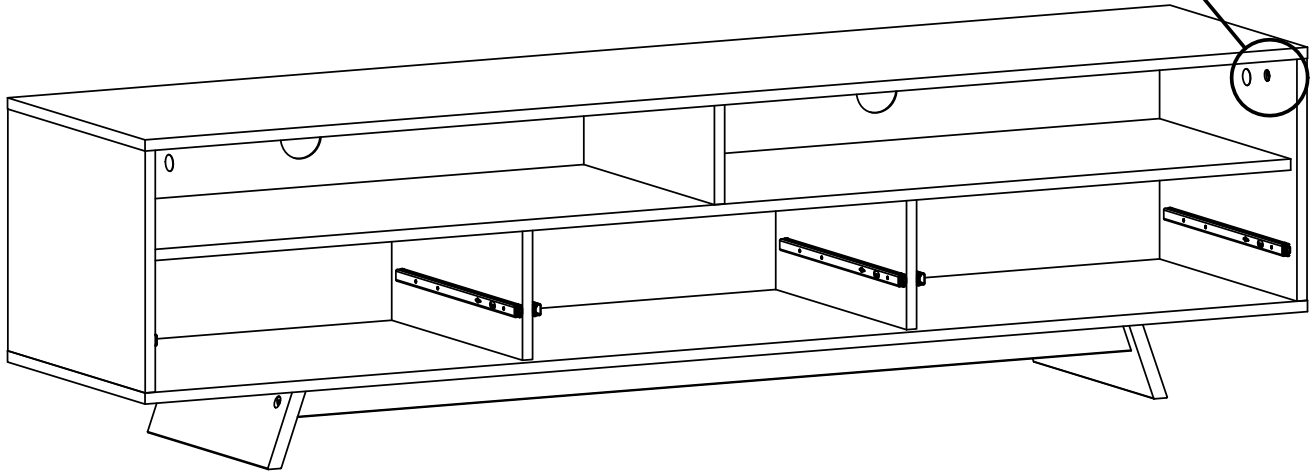
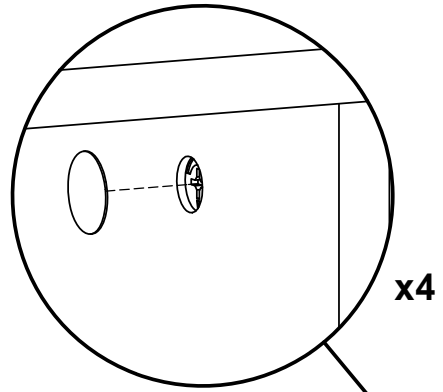
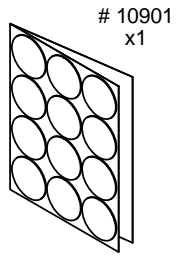
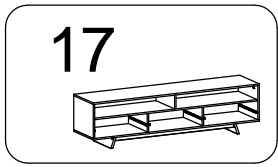
25233
x6

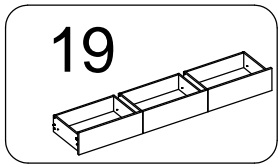


65871
x2

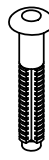




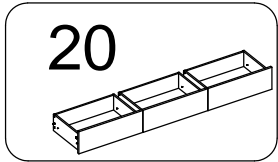
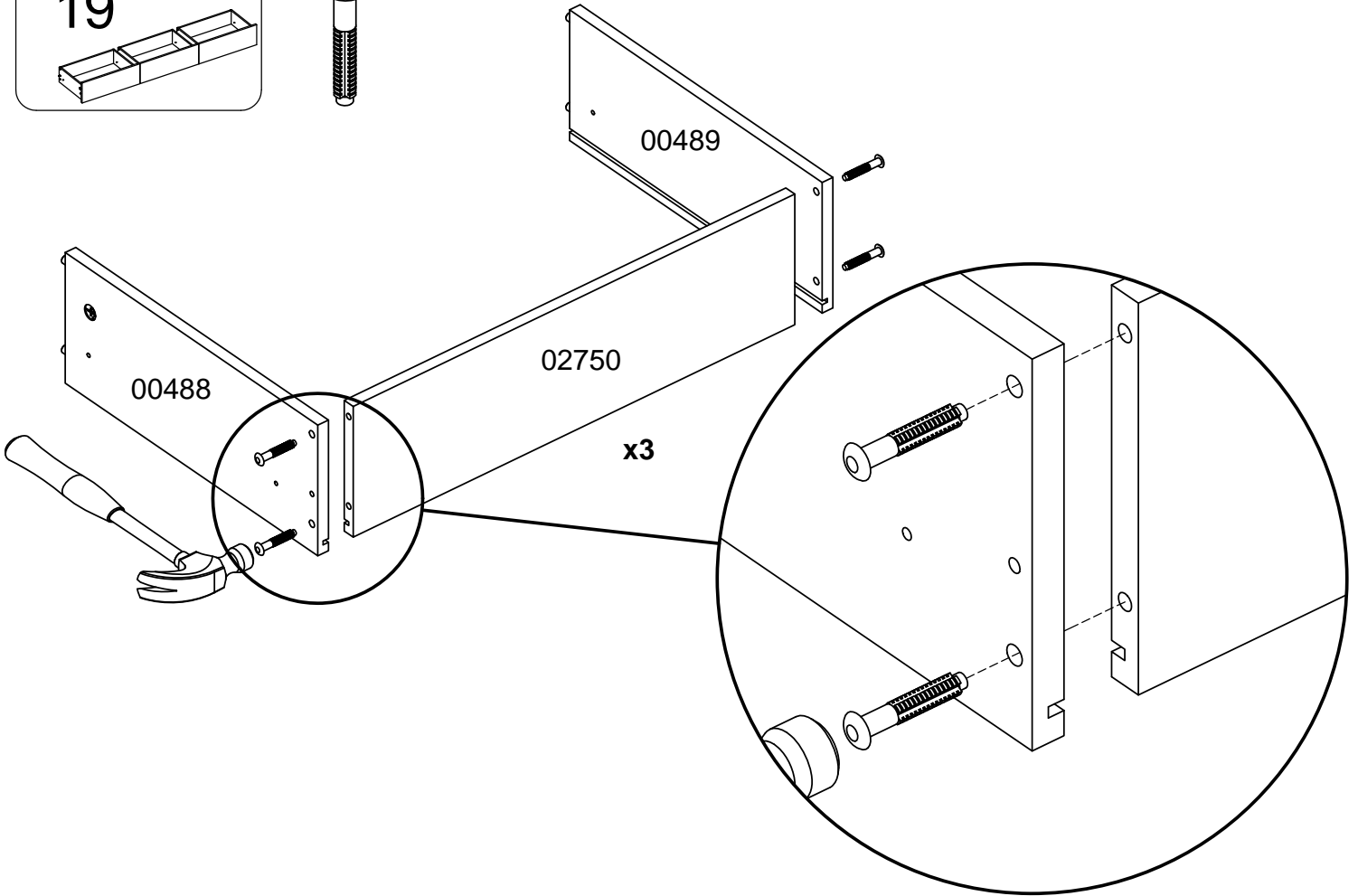




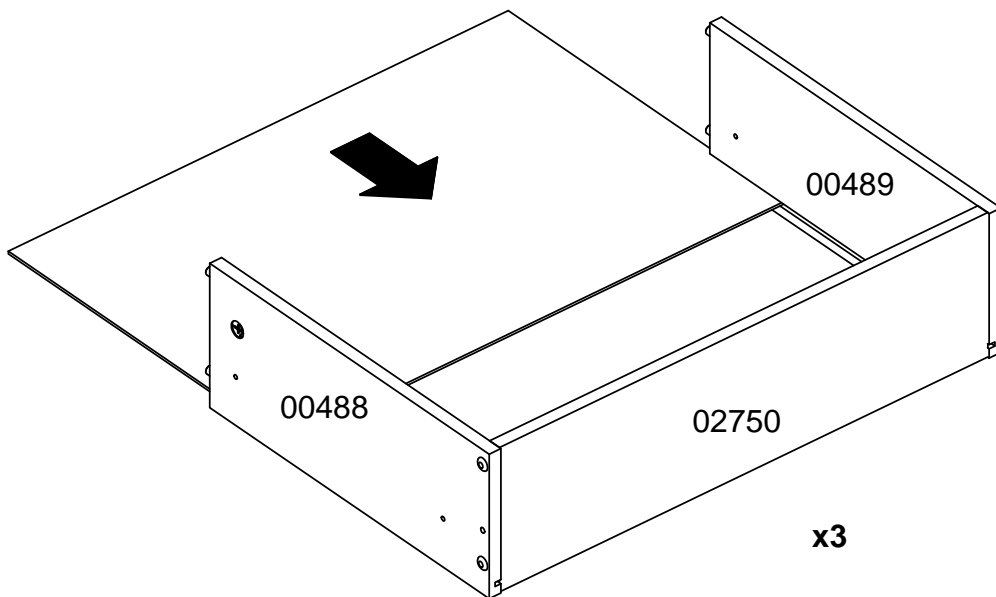
19

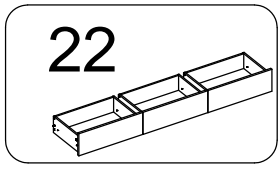
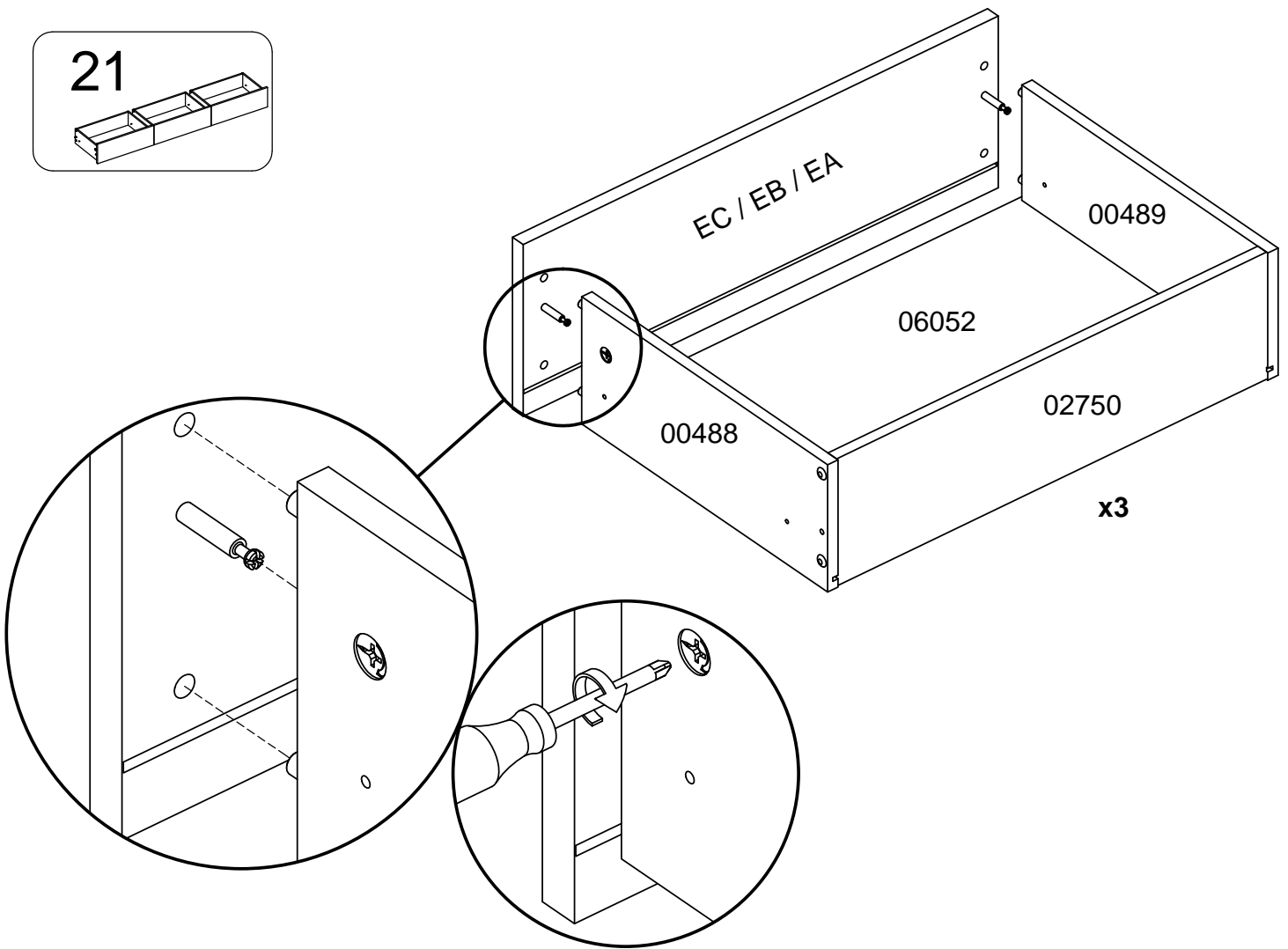
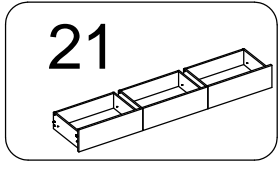


20228
x12

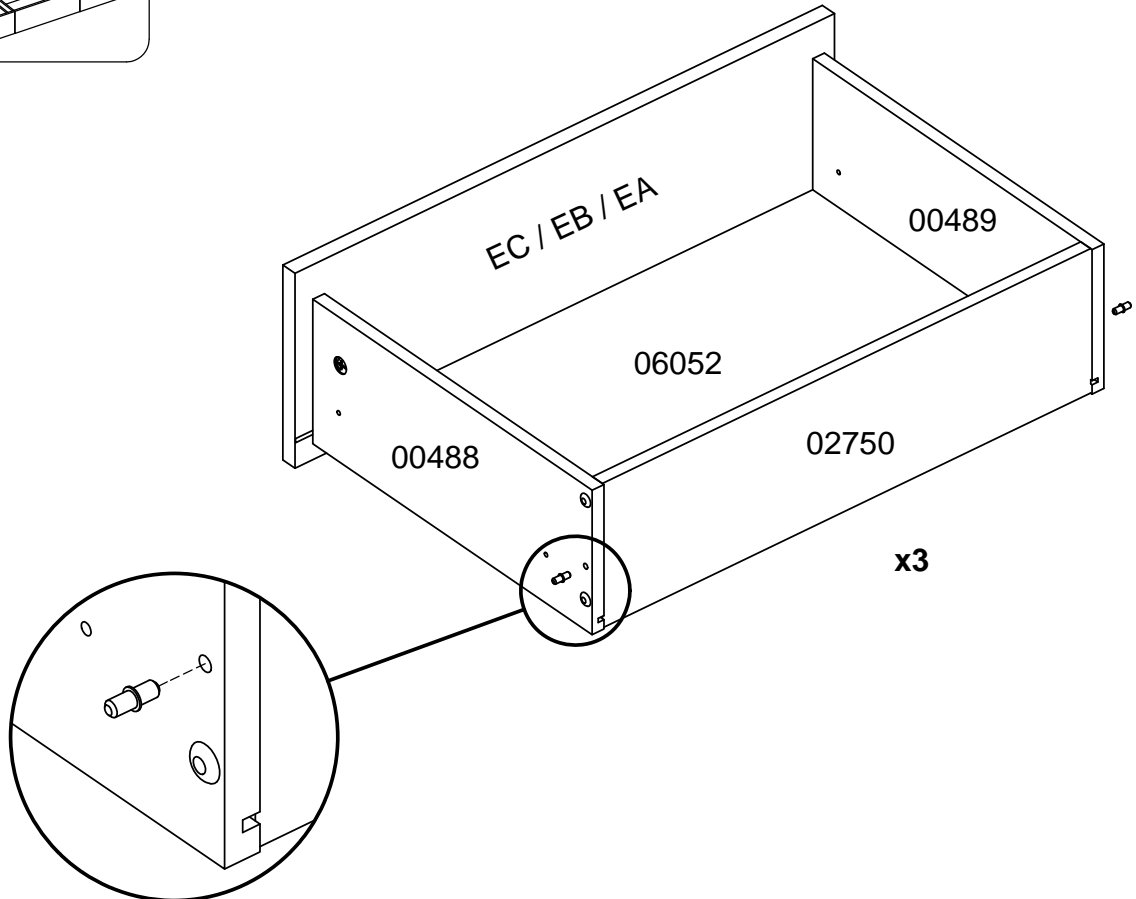


20





11011
x6



23

