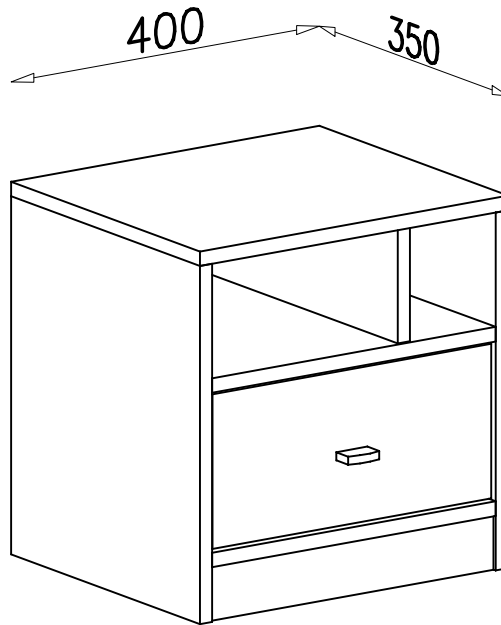
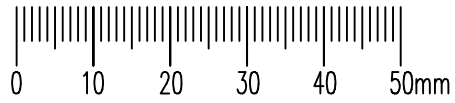
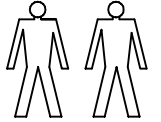
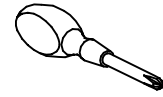
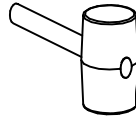
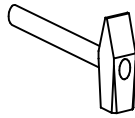
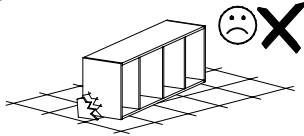
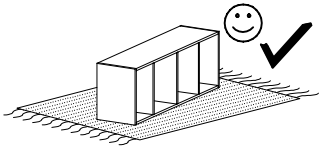


STONE ST 13



415

400

350

W



x2

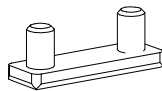
E



3 x 20

x15

G



x4

C



6 x 13

x4

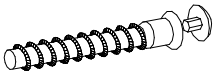
T



4 x 16

x6

A



x5

B



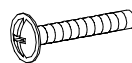
x28

U



x1

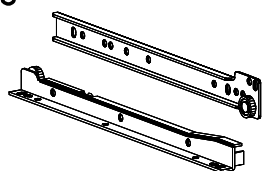
N



M4 x 22

x2

J



30cm

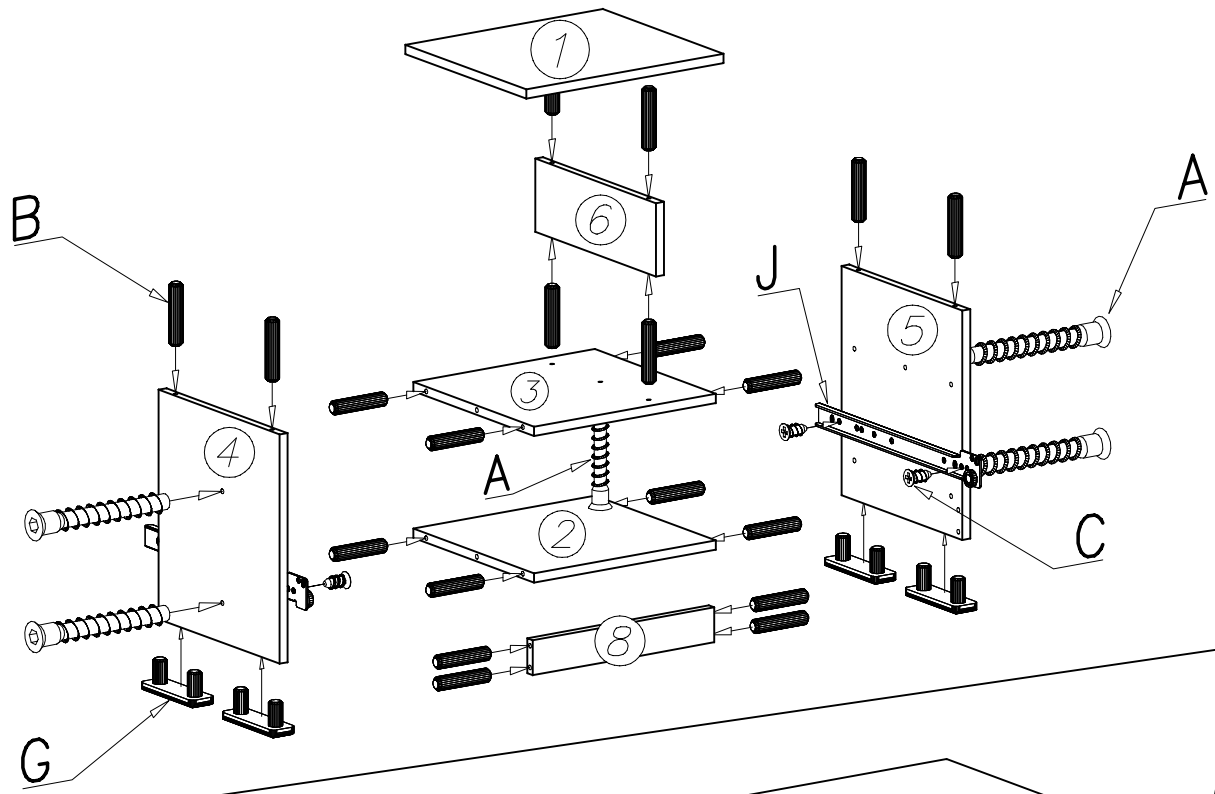
x1

Z

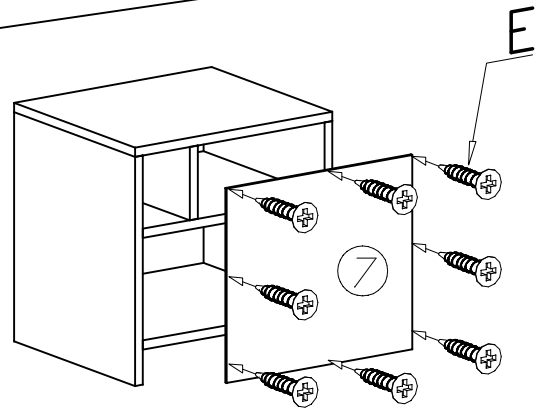


x1

I



II



III

