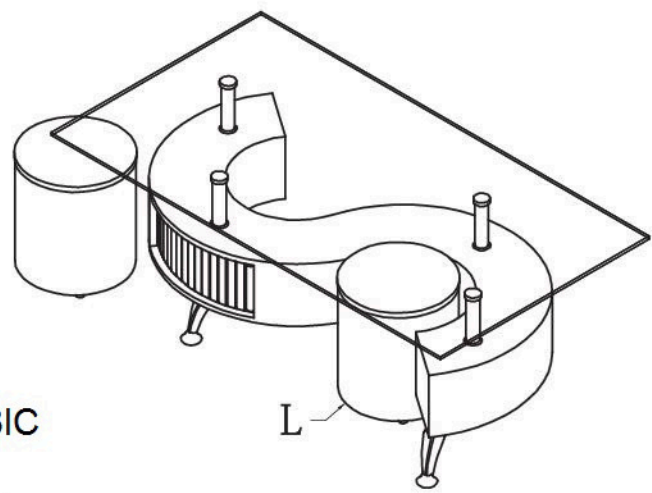


CUBIC



A		1	G		4
B		4	H		1
C		4	I		4
D		4	J		16
E		1	K		1
F		4	L		2