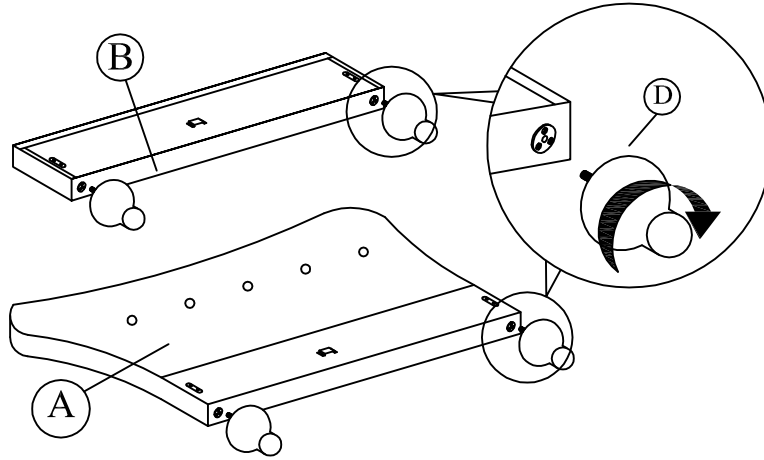


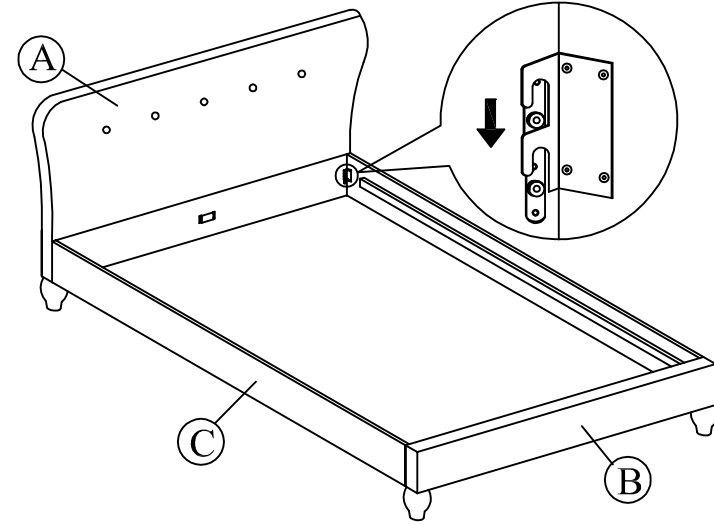
# ASSEMBLY INSTRUCTION

MODEL: VICTORIA CF 8720 (4'6" & 5'6")

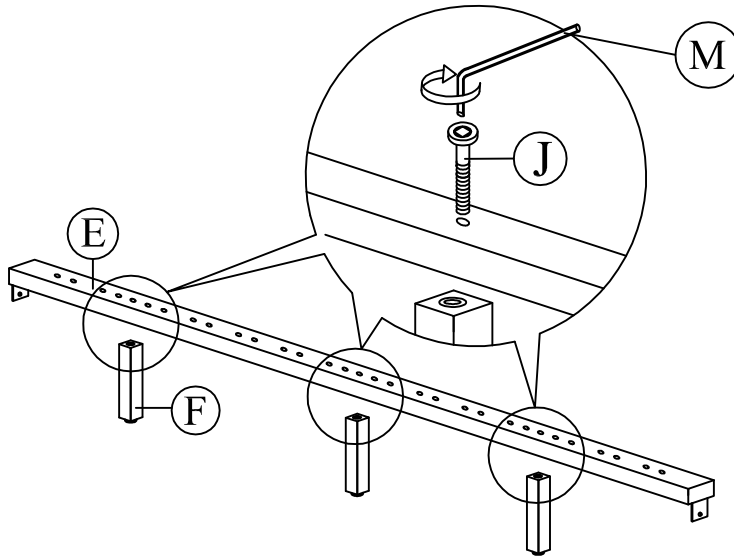
Step 1: Tighten the legs (D) to headboard (A) and footboard (B) as shown.



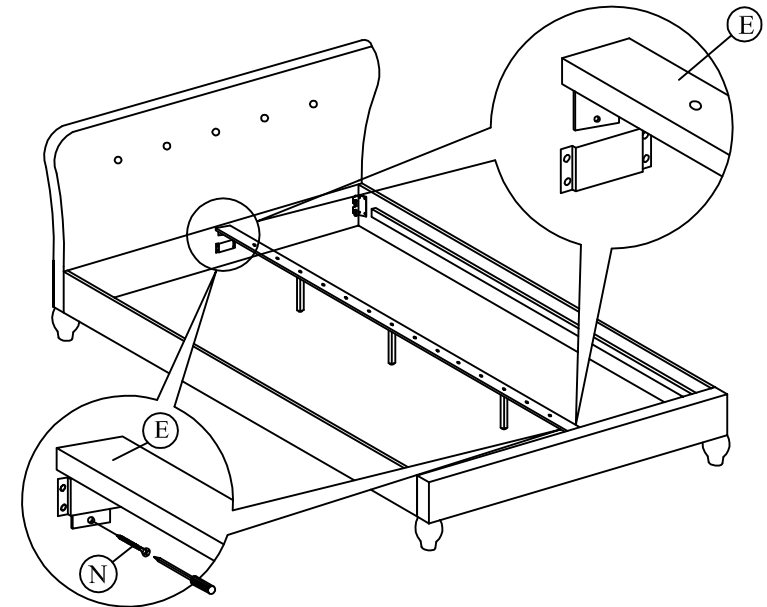
Step 2: Attach Side Rail (C) to Headboard (A) and Footboard (B) by pushing the bracket down to fit it.

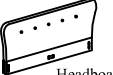
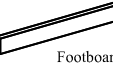

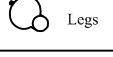

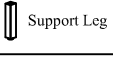















Step 3: Attach the support legs (F) to the center rail (E) of the bed as shown.

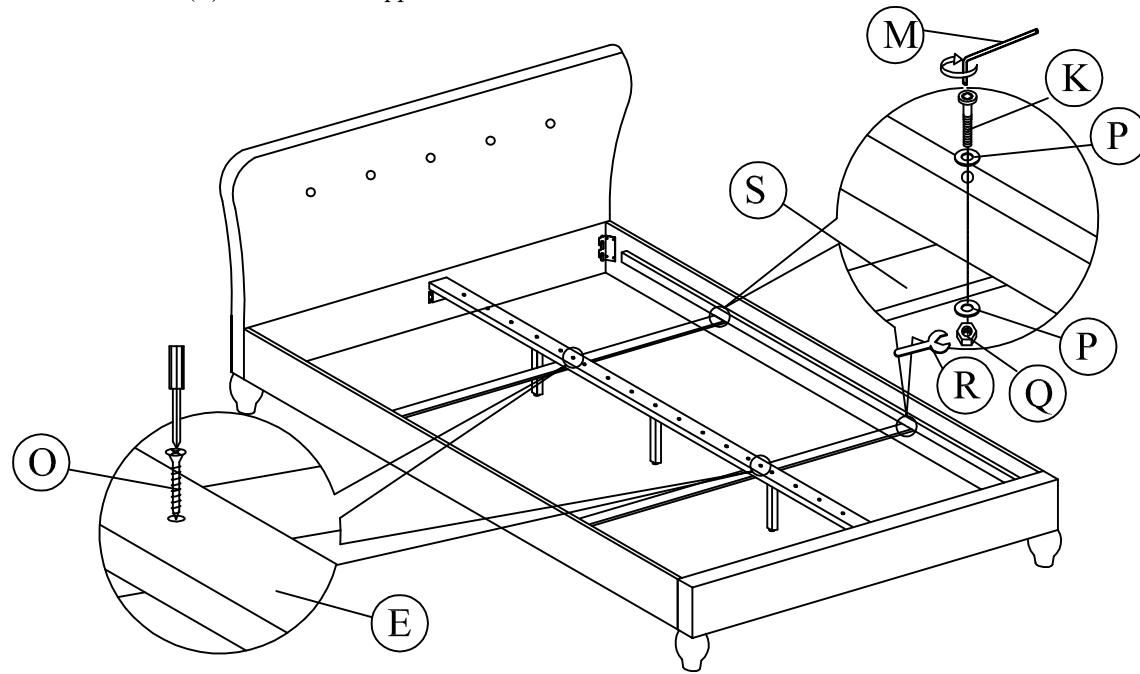


Step 4: Slide the center rail (E) to the headboard (A) and footboard (B). Tighten screws (N) using screw driver (not included) to the headboard (A) and footboard (B)



|   |   |        |
|---|---|--------|
| A |    | 1 pc   |
| B |    | 1 pc   |
| C |    | 2 pcs  |
| D |    | 4 pcs  |
| E |    | 1 pc   |
| F |    | 3 pcs  |
| G |    | 28 pcs |
| H |    | 14 pcs |
| I |    | 28 pcs |
| J |    | 3 pcs  |
| K |    | 4 pcs  |
| L |   | 1 pc   |
| M |  | 1 pc   |
| N |  | 2 pcs  |
| O |  | 2 pcs  |
| P |  | 8 pcs  |
| Q |  | 4 pcs  |
| R |  | 1 pc   |
| S |  | 2 pcs  |

Step 5: Affix the Stiffener Slat (T) to the center rail (E) and side rail support wood.



Step 6: Tighten all the 4 corner, follow by assembly of the slat holders with LVL slats as shown.

